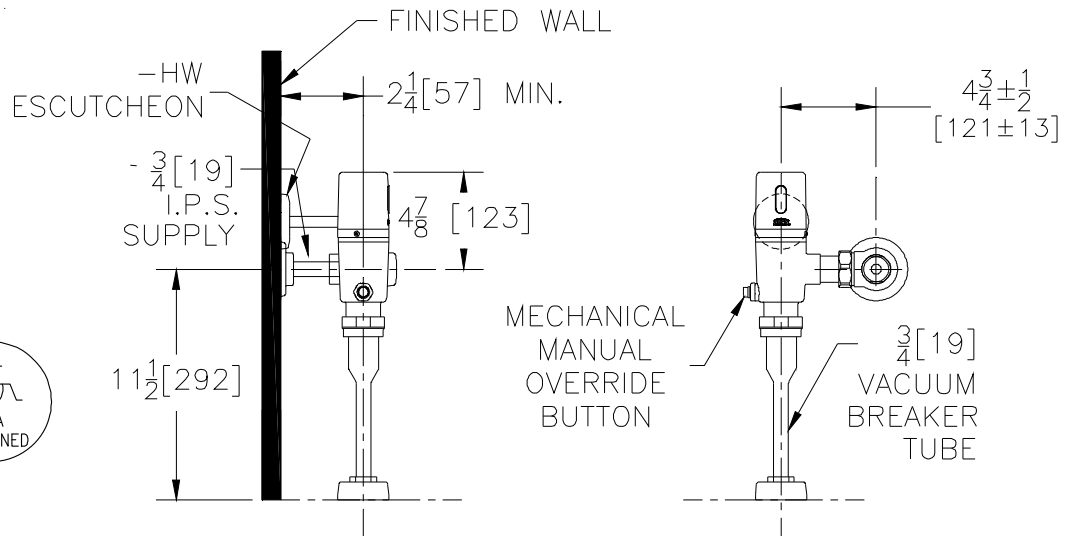


# ZTR6203-ULF-HW

0.125 gpf Sensor Operated Urinal Flush Valve



## Suffix Options (Check/Specify Appropriate Options)

- YJ Split Ring Pipe Support
- YK Solid Ring Pipe Support
- YO Bumper on Angle Stop
- \_\_\_\_\_ Other

## Accessories (Order separate as specified)

Compatible with -HW Version:

- P6900-ACA-BA** 7.6VDC Plug-In ACA Power Supply  
Powers up to 4 valves
- P6000-HW6** 7.6VDC Hardwired Power Converter  
Powers up to 8 valves

Others:

- P6800-PJB-4** Power Junction Box (4 outputs)
- P6800-PJB-8** Power Junction Box (8 outputs)
- P6800-EXT** 10' Extension Cable with Connectors

**NOTE: Performance guaranteed with Zurn EcoVantage® fixtures. Please consult Zurn Technical Services at 1-800-997-3876 to discuss the paired performance of this valve with other manufacturers fixtures.**

Architectural/Engineering Approval

## ENGINEERING SPECIFICATIONS

Exposed chrome plated flushometer valve with a polished exterior.

- Hardwired using 7.6VDC Power Supply
- Filtered Piston Kit  
Chloramine resistant
- Proprietary DR resistant low lead brass alloy
- Actuator  
Sensor powered
- Mechanical Manual Override Button
- Includes 10' power supply cable
- Control Stop  
Internal siphon-guard protection  
Vandal resistant stop cap  
Sweat solder kit  
Cast wall flange with set screw
- Vacuum Breaker  
High back pressure  
One piece hex coupling nut
- Internal seals  
Chloramine resistant
- Adjustable tailpiece
- Spud coupling and flange for top spud connection

ZURN INDUSTRIES, LLC. ♦ COMMERCIAL BRASS OPERATION  
5900 ELWIN BUCHANAN DRIVE ♦ SANFORD NC 27330  
PHONE: 1-800-997-3876 ♦ FAX: 919-775-3541  
WWW.ZURN.COM  
IN CANADA: ZURN INDUSTRIES LIMITED  
3544 NASHUA DRIVE ♦ MISSISSAUGA, ONTARIO L4V1L2  
PHONE: 905-405-8272 FAX: 905-405-1292

The information contained in this document is subject to change without notice.  
Please contact Zurn for most up to date information.