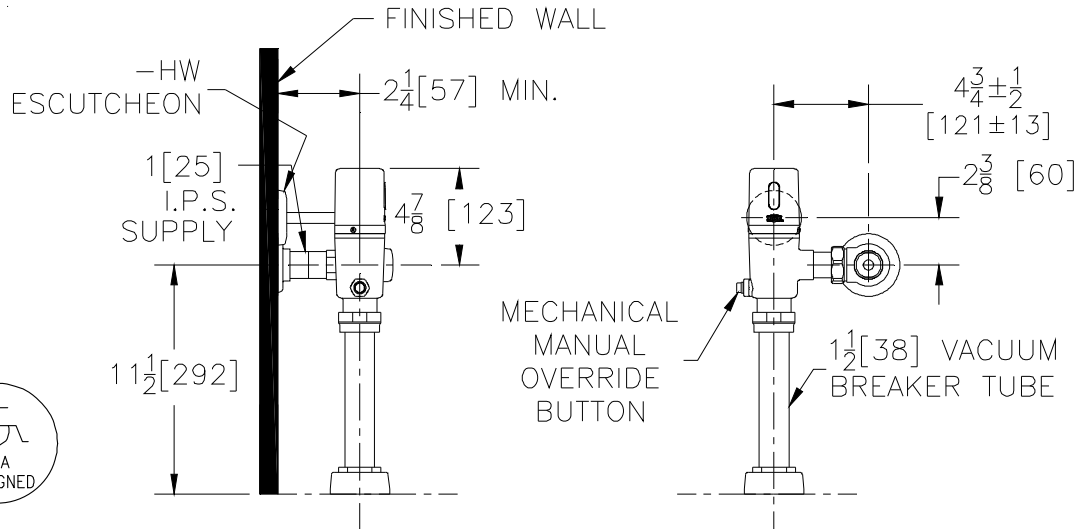




ZTR6200EV-HW

Hardwired 1.28 GPF Sensor Operated Water Closet Flush Valve



Suffix Options (Check/Specify Appropriate Options)

- YJ Split Ring Pipe Support
- YK Solid Ring Pipe Support
- YO Bumper on Angle Stop
- _____ Other

Accessories (Order separate as specified)

Compatible with -HW Version:

- P6900-ACA-BA** 7.6VDC Plug-In ACA Power Supply
Powers up to 4 valves
- P6000-HW6** 7.6VDC Hardwired Power Converter
Powers up to 8 valves

Others:

- P6800-PJB-4** Power Junction Box (4 outputs)
- P6800-PJB-8** Power Junction Box (8 outputs)
- P6800-EXT** 10' Extension Cable with Connectors

NOTE: Performance guaranteed with Zurn EcoVantage® fixtures. Please consult Zurn Technical Services at 1-800-997-3876 to discuss the paired performance of this valve with other manufacturers fixtures.

Architectural/Engineering Approval

ZURN INDUSTRIES, LLC. ♦ COMMERCIAL BRASS OPERATION
 5900 ELWIN BUCHANAN DRIVE ♦ SANFORD NC 27330
 PHONE: 1-800-997-3876 ♦ FAX: 919-775-3541
 WWW.ZURN.COM
 IN CANADA: ZURN INDUSTRIES LIMITED
 3544 NASHUA DRIVE ♦ MISSISSAUGA, ONTARIO L4V1L2
 PHONE: 905-405-8272 FAX: 905-405-1292

ENGINEERING SPECIFICATIONS

Exposed chrome plated flushometer valve with a polished exterior.

- Hardwired using 7.6VDC Power Supply
- Filtered Piston Kit
Chloramine resistant
- Proprietary DR resistant low lead brass alloy
- Actuator
Solenoid Activated
- Mechanical Manual Override Button
- Includes 10' power supply cable
- Control Stop
Internal siphon-guard protection
Vandal resistant stop cap
Sweat solder kit
Cast wall flange with set screw
- Vacuum Breaker
High back pressure
One piece hex coupling nut
- Internal seals
Chloramine resistant
- Adjustable tailpiece
- Spud coupling and flange for top spud connection

The information contained in this document is subject to change without notice.
Please contact Zurn for most up to date information.