



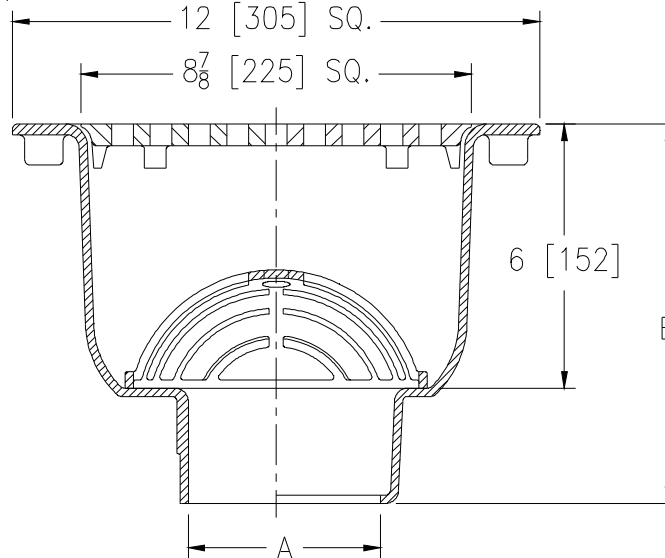
# Z1900

12 x 12 [305 x 305] A.R.E. SANI-FLOR RECEPTOR  
6 [152] SUMP DEPTH

SPECIFICATION SHEET

TAG \_\_\_\_\_

Dimensional Data (inches and [ mm ]) are Subject to Manufacturing Tolerances and Change Without Notice



A Pipe Size In. [mm]	Approx Wt. Lbs. [kg]	Grate Open Area in <sup>2</sup> [cm <sup>2</sup> ]
2, 3, 4 [51, 76, 102]	32 [15]	31 [200]

### ENGINEERING SPECIFICATION: ZURN Z1900

Sani-Flor Receptor 12" x 12" x 6" [305mm x 305mm x 152mm] deep cast iron body and square, light-duty grate with 1/2" [13mm] slotted openings, white acid resisting porcelain enamel interior and top, complete with white ABS anti-splash interior bottom dome strainer.

### OPTIONS (Check/specify appropriate options)

#### PIPE SIZE

3, 4 [76, 102]  
2, 3, 4 [51, 76, 102]  
2, 3, 4 [51, 76, 102]

#### (Specify size/type) OUTLET

\_\_\_ IC Inside Caulk  
\_\_\_ **NH No-Hub**  
\_\_\_ NL Neo-Loc

#### 'E' BODY HT. DIMENSION

Z	ZN / ZS
8-5/8 [219]	9-1/8 [232]
8-5/8 [219]	9-1/8 [232]
8 [203]	8-1/2 [216]

#### PREFIXES

\_\_\_ Z Cast Iron Body with White A.R.E. Interior\*  
\_\_\_ **ZN Cast Iron Body with White A.R.E. Interior, 12-1/2 [317] Square N.B. Frame and Full Grate with 1/2 [13] Openings (Add 1/2 [13] to 12 [305] Dim.)**  
\_\_\_ ZS Cast Iron Body with White A.R.E. Interior, 12-1/2 [317] Square Stainless Steel Frame and Full Grate with 1/2 [13] Openings (Add 1/2 [13] to 12 [305] Dim.)

#### SUFFIXES

___ -DX Dex-O-Tex Flange (ZN Only)	___ -3 3/4 Grate
___ -HD Stainless Steel Frame w/ X-Heavy Duty Stainless Steel Grate (ZS Only)	___ -4 Full Grate w/ Center Opening (2 [51] Dia. for Z) and (3-1/32 [77] Square for ZN & ZS)
___ -HP Heel-Proof Grate (ZN Only)	___ -6 Grate w/ 6 [152] Dia. x 6 [152] High Funnel
___ -K Anchor Flange	___ -8 Grate w/ 8-7/8 x 3-5/8 x 3-3/4 [225 x 92 x 95] High Oval Funnel
___ <b>-KC Anchor Flange with Seepage Holes and Clamp Collar</b>	___ -11 Vandal-Proof Secured Top (ZN & ZS Only)
___ -LD (Less) Bottom Dome Strainer	___ -15 Solid Loose Set Cover (Z & ZN Only)
___ -P 1/2 [13] Trap Primer Connection (See Z1023)	___ -19 Full Hinged Grate (ZN Only)
___ -SA Stabilizer Assembly (See Z1903)	___ <b>-23 Aluminum Bucket</b>
___ -TC Neo-Loc Test Cap Gasket (2, 3, 4 [51, 76, 102] NL Bottom Outlet Only)	___ -25 White A.R.C. Bucket
___ -VPS Vandal-Proof Strainer	___ -31 Stainless Steel Mesh Liner for Bucket
___ -1 (Less) Grate	___ -32 Aluminum Dome Strainer
___ -2 1/2 Grate	___ -33 White A.R.C. Anti-Splash Bottom Dome Strainer

\* Regularly furnished unless otherwise specified.

Zurn Industries, LLC | Specification Drainage Operation  
1801 Pittsburgh Avenue, Erie, PA U.S.A. 16502 · Ph. 855-663-9876, Fax 814-454-7929  
In Canada | Zurn Industries Limited  
3544 Nashua Drive, Mississauga, Ontario L4V 1L2 · Ph. 905-405-8272, Fax 905-405-1292  
[www.zurn.com](http://www.zurn.com)

Rev. M  
Date: 09/28/2017  
C.N. No. 138074  
Prod. | Dwg. No. Z1900