



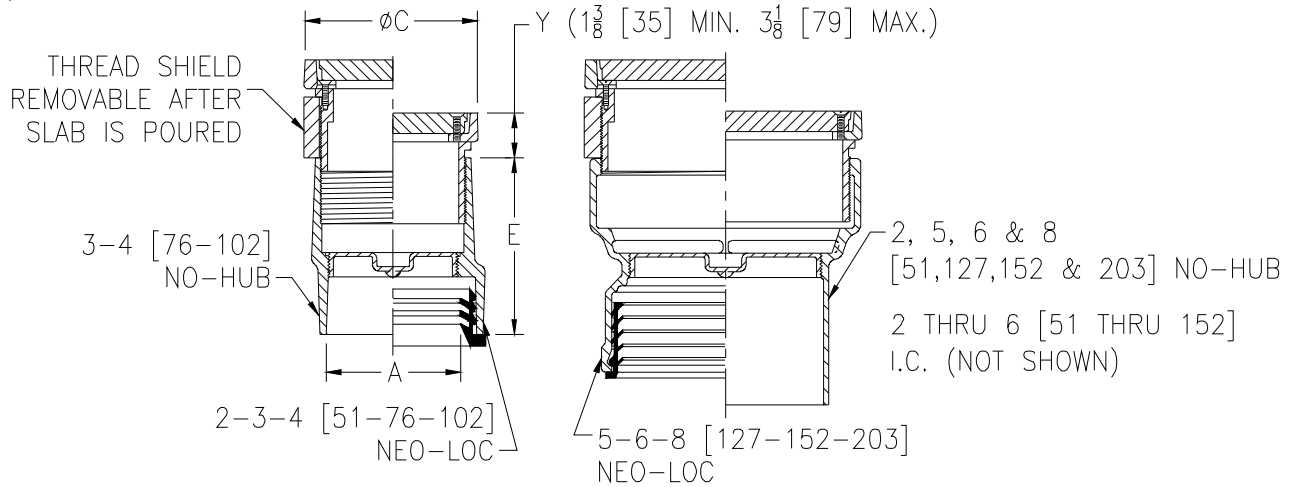
Z1400

HEAVY-DUTY "LEVEL-TROL" ADJUSTABLE FLOOR CLEANOUT

SPECIFICATION SHEET

TAG _____

Dimensional Data (inches and [mm]) are Subject to Manufacturing Tolerances and Change Without Notice



ENGINEERING SPECIFICATION: ZURN Z1400

"Level-Trol" Adjustable floor cleanout, Dura-Coated cast iron body with gas and watertight ABS tapered thread plug and round scoriated cast iron heavy-duty secured top (Specify finish Z, ZB, ZN, ZS) adjustable to finished floor.

Dimension In Inches			Approx. Wt. Lbs. [kg.]
A-Pipe Size	C	E	
Inside Caulk			
2 [51]	6-1/8 [156]	6-7/8 [175]	13.8 [6.3]
3 [76]	6-1/8 [156]	6-7/8 [175]	14 [6.4]
4 [102]	7-1/4 [184]	6-7/8 [175]	18.3 [8.3]
5 [127]	8-1/4 [210]	6-7/8 [175]	22.6 [10.3]
6 [152]	9-1/4 [235]	6-7/8 [175]	32.2 [14.6]
No-Hub			
2 [51]	4-1/8 [105]	4-5/8 [117]	7 [3]
3 [76]	4-1/8 [105]	4-3/4 [121]	7.7 [3.5]
4 [102]	5-1/8 [130]	4-3/4 [121]	10.3 [4.7]
5 [127]	7-1/4 [184]	7-1/2 [191]	17.6 [8]
6 [152]	8-1/4 [210]	4-3/4 [121]	22.2 [10.1]
8 [203]	9-1/4 [235]	7-1/2 [191]	29.9 [13.6]
Neo-Loc			
2 [51]	4-1/8 [105]	4-3/4 [121]	7.9 [3.6]
3 [76]	5-1/8 [130]	4-3/4 [121]	10.6 [4.8]
4 [102]	5-1/8 [130]	4-3/4 [121]	11.9 [5.4]
5 [127]	7-1/4 [184]	6-1/2 [165]	18.7 [8.5]
6 [152]	8-1/4 [210]	5-7/8 [149]	21.9 [9.9]
8 [203]	9-1/4 [235]	6-1/2 [165]	23.5 [10.7]

OPTIONS (Check/specify appropriate options)

PREFIXES

- ___ Z Dura Coated Cast Iron*
- ___ ZB D.C.C.I. w/ Polished Bronze Light-Duty Top
(Deduct 1/2 [13] from 'Y' Dim.)
- ___ ZN D.C.C.I. w/ Polished Nickel Bronze Light-Duty Top
(Deduct 1/2 [13] from 'Y' Dim.)
- ___ ZS D.C.C.I. w/ Polished Stainless Steel Heavy-Duty Top
(Add 3/16 [5] to 'Y' Dim.)

SUFFIXES

- ___ -AR Acid Resisting Epoxy Coated Finish
- ___ -BP Bronze Plug
- ___ -CF Carpet Flange Cover (ZB and ZN only)
- ___ -CM Carpet Marker
- ___ -DC Duresist Cover
- ___ -DX Round ZB or ZN Top with Dex-o-tex Flange
(2 thru 4 [51 thru 102] Sizes only)
- ___ -G Galvanized Cast Iron
- ___ -HD Heavy-Duty Veneer Top (Add 1/8 [3] to 'Y' Dim.)
(ZB and ZN only)
- ___ -K Anchor Flange
- ___ -KC Anchor Flange w/ Clamping Collar
- ___ -SG Solid Gasketed Cover
- ___ -SM Special Marking Stamped on Top
- ___ -T Square Top
- ___ -TC Neo-Loc Test Cap Gasket
(2-4 [51-102] NL Bottom Outlet Only)
- ___ -TX Square Top Recessed for 1/8 [3] Tile
(ZB and ZN only)
- ___ -VP Vandal-Proof Screws
- ___ -X Round Top Recessed for 1/8 [3] Tile
(ZB or ZN only)
- ___ -Z Round Top Recessed for 1-1/4 [32] Terrazzo
(ZB or ZN only)

PIPE SIZE

- 2 thru 6 [51 thru 152]
- 2 thru 6-8 [51 thru 152-203]
- 2 thru 6-8 [51 thru 152-203]

(Specify size/type) **OUTLET**

- ___ IC Inside Caulk
- ___ NH No-Hub
- ___ NL Neo-Loc

'E' BODY HT. DIM.

- See Chart
- See Chart
- See Chart

REV. 0	DATE: 11/03/10	C.N. NO. 120210
DWG. NO. 58757	PRODUCT NO. Z1400	

*REGULARLY FURNISHED UNLESS OTHERWISE SPECIFIED