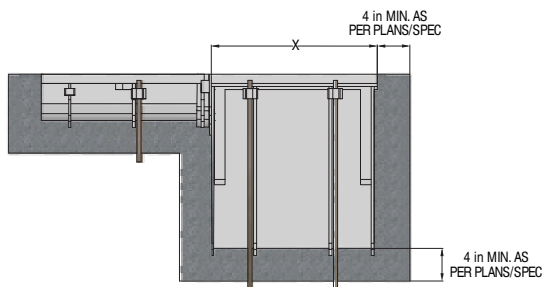


Z887 Applications

Highways	Industrial Parks
Driveways	Chemical Plants
Kitchens	Food Processing
Pools	Shopping Malls
Parking Lots	Industrial Plants
Gas Stations	Pharmaceuticals
Car Washes	Amusement Parks
Airports	Port Facilities
Airplane Hangars	Water Parks

Installation Specification



Consult Plans and Specifications

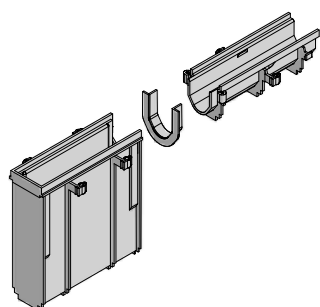
Features and Benefits

- **6" x 20" Catch Basin** – The 6" x 20" basin is meant to be used as an in-line sump for applications where, from the top surface, the visual appearance is of continuous 6" wide Z886 trenching. Simply trace and cut the trench section to be connected into the end of the basin, insert into the basin, bolt together, and caulk around the exterior. For grate options, refer to pages 24-25.
- **12" x 24" and 24" x 24" Catch Basins** – The larger catch basins, 12" x 24" x 24" and 24" x 24" x 24", provide greater sump capacities for larger trench runs. These catch basins can be used with Z882 and Z886 trenches. These basins have an external trench adapter supplied to make the transition between the trench and basin (see illustration). This adapter, along with the hardware, is supplied by Zurn to make a fast and easy connection to any basin. Additional adapters can be used to make numerous connections of trench into the catch basin. For grate options, refer to page 26.
- **Basin Extension for 24" x 24"** – This 12" polyethylene extension for 24" x 24" catch basin provides greater depths and capacities. These stackable units allow for depths in 12" increments. For grate options, refer to page 29.

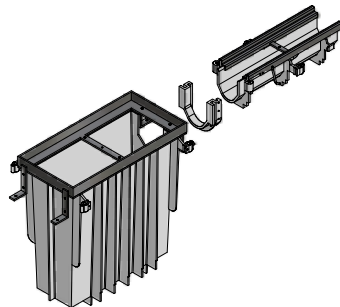
Z887 Dimensional Data

Basin	Overall Top Dimensions				Approx. Weight (Less Grate)	
	Length Inches	mm	Width Inches	mm	Lbs.	Kg
6 x 20	20-3/4	527	6-1/4	159	17.0	7.7
12 x 24	23-1/4	591	12	305	14.6	6.6
24 x 24	23-1/4	591	24-5/8	625	19.9	9.0

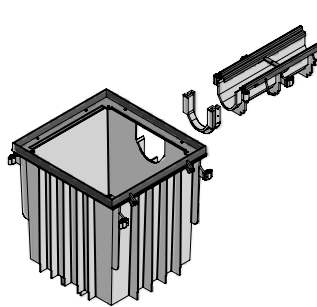
Z887 System Highlights



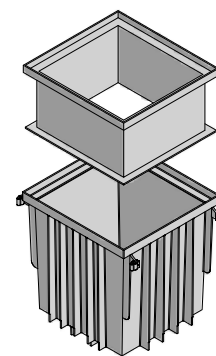
6" x 20" Catch Basin with Z886 Connecting Trench



12" x 24" Catch Basin with Z886 Connecting Trench



24" x 24" Catch Basin with Z886 Connecting Trench



24" x 24" Catch Basin with 12" High Basin Extension

Engineering Specification Catch Basins shall be 6" wide x 20" long x 20" deep, 12" wide x 24" long x 24" deep, or 24" wide x 24" long x 24" deep and shall be made of High Density Polyethylene (HDPE). Choice of class A, B, C, D, E, and F grates shall be available with H-20, FAA, and/or ADA compliance with mechanical lockdown devices (refer to page 28). Outlets in 2", 3", 4", 6", and 8" diameters shall be available. Catch Basin shall be Flo-Thru model Z887. For downloadable CSI format specification, visit www.zurn.com.