



Z886-HD

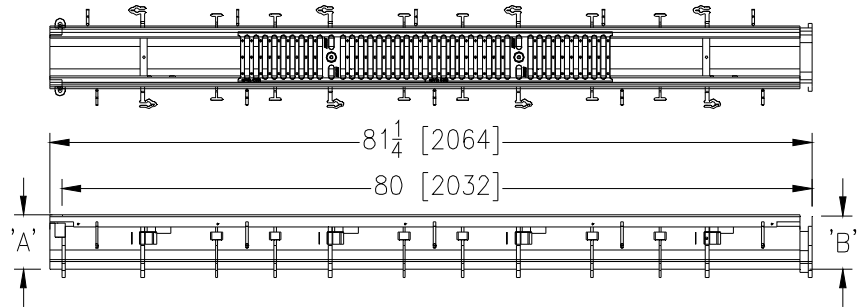
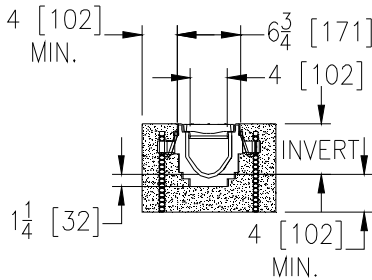
SPECIFICATION SHEET

6-3/4 [171] WIDE REVEAL TRENCH DRAIN SYSTEM WITH HEAVY-DUTY FRAME ASSEMBLY

TAG _____

Dimensional Data (inches and [mm]) are Subject to Manufacturing Tolerances and Change Without Notice

SPECIFYING ENGINEER IS RESPONSIBLE FOR CONCRETE ENCASEMENT AND REINFORCING BASED UPON APPLICATION AND LOCAL CODES



NOTE: + Actual Channel length is 81 1/4 [2064] to allow for overlap.

ENGINEERING SPECIFICATION: Zurn Z886-HD

Channels are 80 [2032] long, 6-3/4 [171] wide reveal and have a 4 [102] throat. Modular channel sections are made of 0% water absorbent High Density Polyethylene (HDPE). Channels have a positive mechanical connection between channel sections that will not separate during the installation and mechanically lock into the concrete surround every 10 [254]. Channels weigh less than 2.31 lbs.[1.05kg] per linear foot, have a smooth, 1-1/2 [38] radiused self cleaning bottom with a Manning's coefficient of .009 and .75% or neutral 0% built in slope. Channels have rebar clips standard to secure trench in its final location. Channels provided with standard DGC grates that lock down to frame. Zurn 5.375 [137] wide reveal Ductile Iron Slotted Grate conforming to ASTM specification A536-84, Grade 80-55-06. Ductile Iron grate is rated class C per the DIN EN1433 top load classifications. Supplied in 20 [508] nominal lengths with 1/2 [13] wide slots, and 3/4 [19] bearing depth. Grate has an open area of 28.1 sq. in per ft. [59,463 sq. mm per meter]. The .105 [2.67] thick Heavy-Duty Carbon Steel Frame Assembly conforms to ASTM specification A36 with 10 - 4 [102] long concrete anchors per 80 [2032]. Grate lockdown bars are to be integral to the frame. Frame supplied with powder coated finish. All welds must be performed by a certified welder per ASTM standard AWS D1.1. Frames produced in the U.S.A.

PREFIX OPTIONS (Check/specify appropriate options)

___ Z Six-foot, Eight-inch High Density Polyethylene (HDPE)*

SUFFIX OPTIONS (Check/specify appropriate options)

Outlet Adapters Add/Each

- ___ -E1 Closed End Cap
- ___ -E2 2 [51] No-Hub End Outlet
- ___ -E3 3 [76] No-Hub End Outlet
- ___ -E4 4 [102] No-Hub End Outlet
- ___ -E6 6 [152] No-Hub End Outlet
- ___ -U2 2 [51] No-Hub Bottom Outlet
- ___ -U3 3 [76] No-Hub Bottom Outlet
- ___ -U4 4 [102] No-Hub Bottom Outlet
- ___ -U6 6 [152] No-Hub Bottom Outlet

Frame Options

- ___ -CBF Black Acid Resistant Coated Top Frame
- ___ -LD Light Duty Grates on Heavy Duty Frame
- ___ -SW Sidewall Extension - 9 [229] High
- ___ -SW2 Sidewall Extension - 18 [457] High

Grate Options (Load Classifications are per DIN EN1433)

- ___ -BDC Black Acid Resistant Epoxy Coated Ductile Grate - Class C
- ___ -BDE Black Acid Resistant Epoxy Coated Ductile Grate - Class E
- ___ -BG Galvanized Ductile Iron Bar Grate - Class C
- ___ -DBG Ductile Iron Cast Bar Grate - Class C
- ___ -DC Ductile Iron Solid Cover - Class C
- ___ -DGC Ductile Iron Slotted Grate - Class C *
- ___ -DGE Ductile Iron Slotted Grate - Class E
- ___ -GDC Galvanized Ductile Iron Slotted Grate - Class C
- ___ -GDE Galvanized Ductile Iron Slotted Grate - Class E
- ___ -GHPD Galvanized Heel-Proof Ductile Grate - Class B
- ___ -GHPDE Galvanized Heel-Proof Ductile Grate - Class E
- ___ -HPD Heel-Proof Ductile Slotted Grate - Class B
- ___ -HPDE Heel-Proof Ductile Slotted Grate - Class E
- ___ -RFGC Reinforced Slotted Galvanized Grate - Class C
- ___ -RFSC Reinforced Slotted Stainless Steel Grate - Class C
- ___ -RPGC Reinforced Perforated Galvanized Grate - Class C
- ___ -RPGRC Reinforced Perforated Galvanized Reverse Punch Grate - Class C
- ___ -RPSC Reinforced Perforated Stainless Steel Grate - Class C
- ___ -RPSRC Reinforced Perforated Stainless Steel Reverse Punch Grate - Class C

Miscellaneous Options

- ___ -VP Vandal-Proof Lockdown
- ___ -JC Joint Connector

Decorative Grate Options (Load Classifications are per DIN EN1433)

- ___ -SBG Stainless Steel Bar Grate - Class E

| Trench No. | 'A' Shallow Inv. | 'B' Deep Inv. | Flow | | |
|------------|------------------|---------------|-------|-------|-------|
| | | | (cfs) | (gpm) | (lps) |
| 8601 | 3.50 [89] | 4.10 [104] | 0.21 | 93 | 6 |
| 8602 | 4.10 [104] | 4.70 [119] | 0.27 | 122 | 8 |
| 8603 | 4.70 [119] | 5.30 [135] | 0.34 | 152 | 10 |
| 8603N | 5.30 [135] | 5.30 [135] | - | - | - |
| 8604 | 5.30 [235] | 5.90 [150] | 0.41 | 183 | 12 |
| 8605 | 5.90 [150] | 6.50 [165] | 0.48 | 214 | 13 |
| 8606 | 6.50 [165] | 7.10 [180] | 0.55 | 245 | 15 |
| 8606N | 7.10 [180] | 7.10 [180] | - | - | - |
| 8607 | 7.10 [180] | 7.70 [196] | 0.62 | 276 | 17 |
| 8608 | 7.70 [196] | 8.30 [211] | 0.69 | 308 | 19 |
| 8609 | 8.30 [211] | 8.90 [226] | 0.76 | 339 | 21 |
| 8610 | 8.90 [226] | 9.50 [241] | 0.83 | 371 | 23 |
| 8611 | 9.50 [241] | 10.10 [257] | 0.90 | 403 | 25 |
| 8612 | 10.10 [257] | 10.70 [272] | 0.97 | 435 | 27 |
| 8612N | 10.70 [272] | 10.70 [272] | - | - | - |
| 8613 | 10.70 [272] | 11.30 [287] | 1.04 | 467 | 29 |
| 8614 | 11.30 [287] | 11.90 [302] | 1.11 | 498 | 31 |
| 8615 | 11.90 [302] | 12.50 [318] | 1.18 | 530 | 33 |

MADE in the U.S.A.

- ___ -BDE-USA Black Acid Resistant Epoxy Coated Ductile Grate - Class E
- ___ -DGC-USA Ductile Iron Slotted Grate - Class C
- ___ -DGE-USA Ductile Iron Slotted Grate - Class E
- ___ -GDC-USA Galvanized Ductile Slotted Grate - Class C
- ___ -GDE-USA Galvanized Ductile Slotted Grate - Class E
- ___ -GHPDE-USA Galvanized Heel-Proof Ductile Grate - Class E
- ___ -HPDE-USA Heel-Proof Ductile Slotted Grate - Class E
- ___ -PPC Plastic Perforated Grate - Class

Miscellaneous Options

- ___ -DB Bottom Dome Strainer

REV. D DATE: 01/31/13 C.N. NO. 124330
 PROD/DWG. NO. Z886-HD

*REGULARLY FURNISHED UNLESS OTHERWISE SPECIFIED