



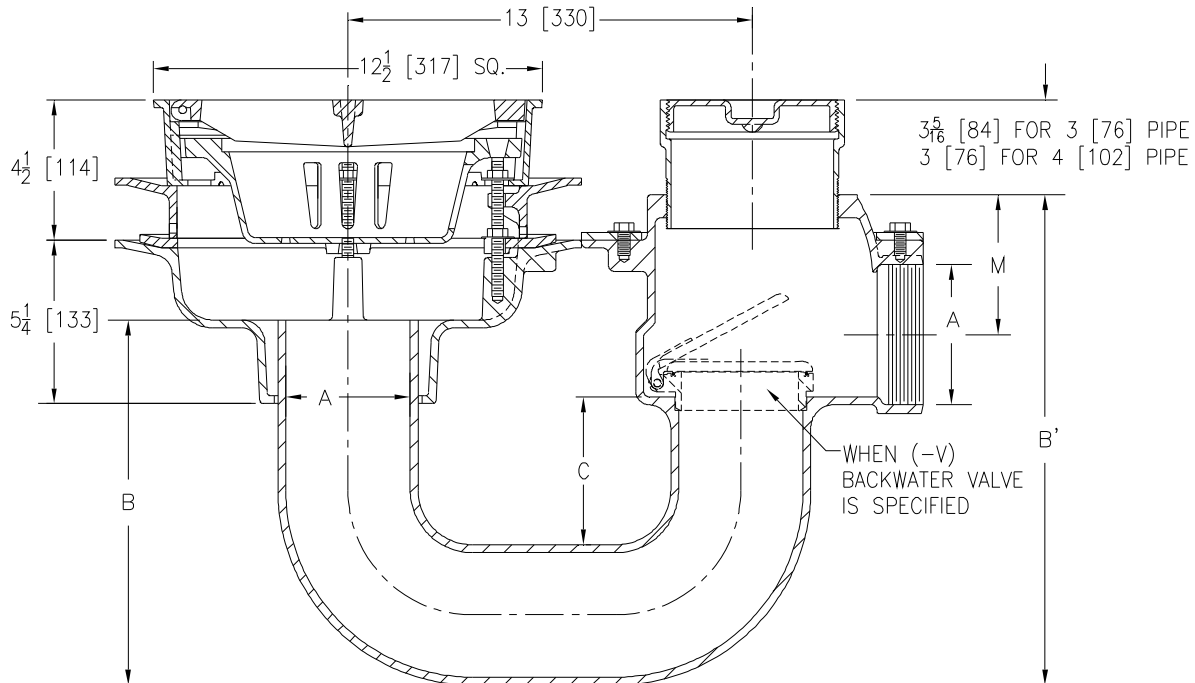
Z761

12 x 12 [305 x 305] HEAVY-DUTY DRAIN

SPECIFICATION SHEET

TAG _____

Dimensional Data (inches and [mm]) are Subject to Manufacturing Tolerances and Change Without Notice



A Pipe Size	Dimensions In Inches				Approx. Wt. Lbs. [kg]	Grate Open Area Sq. In. [cm ²]
	B	B'	C	M		
3 [76]	12-1/2 [318]	13-1/2 [343]	4-3/4 [121]	4 [102]	140 [64]	43 [277]
4 [102]	9-1/4 [235]	15-3/4 [400]	5 [127]	4-1/2 [114]	145 [66]	

ENGINEERING SPECIFICATION ZURN Z761 12 X 12 [305 x 305] Square top drain, Dura-Coated cast iron body with bottom outlet, seepage pan and combination membrane flashing clamp and frame for heavy-duty cast iron hinged slotted grate with suspended sediment bucket, complete with threaded side outlet deep seal trap with seepage pan and adjustable cleanout with bronze plug.

OPTIONS (Check/specify appropriate options)

PIPE SIZE

3, 4 [76, 102]

(Specify size/type) **OUTLET**

_____ IP Threaded

PREFIXES

- _____ Z D.C.C.I. Body and Grate*
- _____ ZB D.C.C.I. Body with Polished Bronze Grate
(Add 3/16 [5] to 4-1/2 [114] Dim. & 3/16 [5] to 12-1/2 [318] Dim.)
- _____ ZN D.C.C.I. Body with Polished Nickel Bronze Grate
(Add 3/16 [5] to 4-1/2 [114] Dim. & 3/16 [5] to 12-1/2 [318] Dim.)

SUFFIXES

- _____ -C Clamp Collar
- _____ -DG Duresist Grate
- _____ -G Galvanized Cast Iron
- _____ -P TrapPrimerConnection
- _____ -TS Top Secured With Slotted Screws
- _____ -V Backwater Valve
- _____ -VP Vandal-Proof Secured Top

REV. E	DATE: 11/8/10	C.N. NO. 120288
DWG. NO. 58962		PRODUCT NO. Z761

*REGULARLY FURNISHED UNLESS OTHERWISE SPECIFIED

ZURN INDUSTRIES, LLC ♦ SPECIFICATION DRAINAGE OPERATION ♦ 1801 Pittsburgh Ave. ♦ Erie, PA 16514

Phone: 814/455-0921 ♦ Fax: 814/454-7929 ♦ World Wide Web: www.zurn.com

In Canada: ZURN INDUSTRIES LIMITED ♦ 3544 Nashua Drive ♦ Mississauga, Ontario L4V1L2 ♦ Phone: 905/405-8272 Fax: 905/405-1292