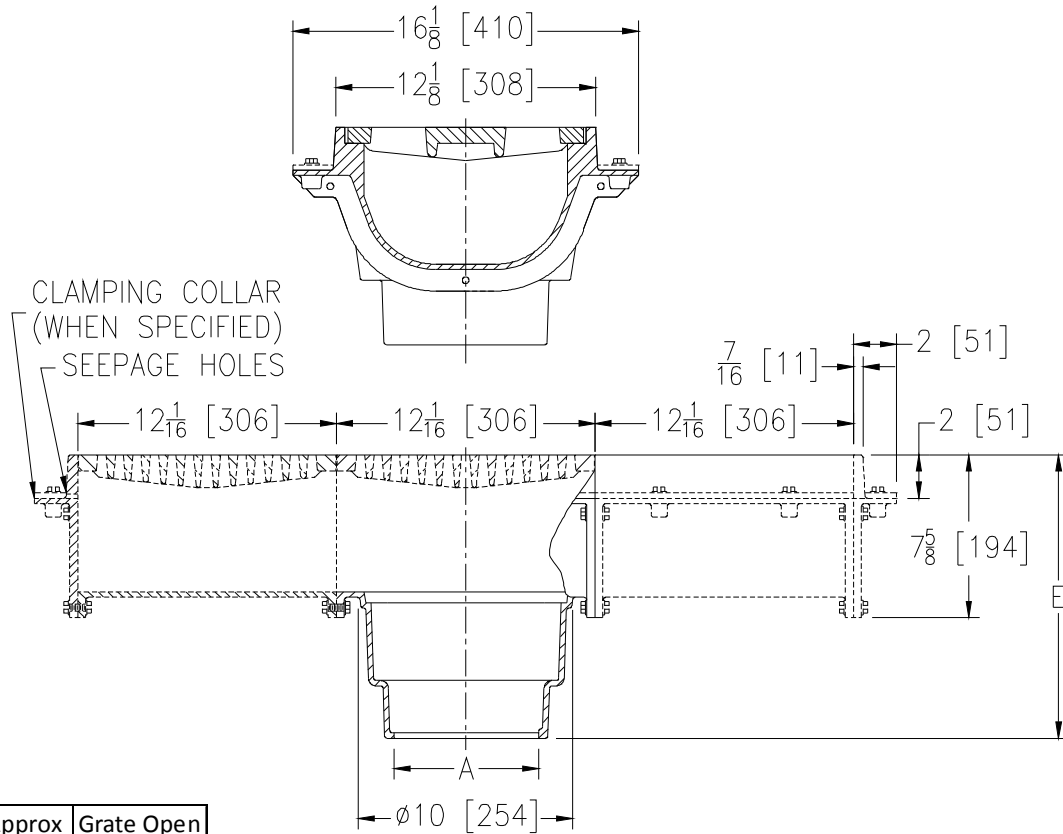


**Z665****12 [305] WIDE MODULAR TRENCH DRAIN, HEAVY-DUTY****SPECIFICATION SHEET**

TAG _____

Dimensional Data (inches and [mm]) are Subject to Manufacturing Tolerances and Change Without Notice



A Pipe Size in [mm]	Approx Wt. lbs [kg]	Grate Open Area in ² [cm ²]
2,3,4 [51,76,102]	100 [45]	35 [226]
5,6 [127,152]	110 [50]	

ENGINEERING SPECIFICATION ZURN Z665

12" [305mm] Wide top modular trench drain, Dura-Coated cast iron deep sump body with bottom outlet. Both 12" [305mm] long outlet module and extension modules are complete with integral seepage pan and heavy-duty loose slotted grate.

OPTIONS (Check/specify appropriate options)**PIPE SIZE**

2,3,4,5,6 [51,76,102,127,152]

2,3,4, 6 [51,76,102, 152]

2,3,4 [51,76,102]

(Specify size/type) OUTLET

_____ IC Inside Caulk
 _____ IG Inside Gasket
 _____ NL Neo-Loc

'E' BODY HT. DIM.

13-3/16 [335]

13-3/16 [335]

12-1/2 [318]

PREFIXES

_____ Z D.C.C.I. Body and Top*
 _____ ZB D.C.C.I Body w/Polished Bronze Top (Add 1/8 [3] to 'E' and 2 [51] Dim.)
 _____ ZS D.C.C.I Body w/Polished Stainless Steel Top (Add 1/8 [3] to 'E' and 2 [51] Dim.)

SUFFIXES

_____ -AR	Acid Resisting Epoxy Coated Cast Iron (Per Section)	_____ -M	Side Outlet Adapter Via End Plate
_____ -C	Clamp Collar (Per Section)	_____ -SB	Shallow Body (Bucket not Available)
_____ -DB	Bottom Dome Strainer (Per Outlet Section)	_____ -SQ	Square Slotted Medium-Duty Grate
_____ -DG	Duresist Grate (Per Section)	_____ -TC	Neo-Loc Test Cap Gasket
_____ -ES	12 [305] Extension Section (Specify Number of Sections Required)	_____ -TS	Top Secured with Slotted Screws (Per Section)
_____ -G	Galvanized Cast Iron (Per Section)	_____ -VP	Vandal-Proof Secured Top (Per Section)
_____ -HP	Heel-Proof Grate (ZB and ZS Only) (Per Section)	_____ -Y	Sediment Bucket (Per Outlet Section)

* Regularly furnished unless otherwise specified.

Zurn Industries, LLC | Specification Drainage Operation
 1801 Pittsburgh Avenue, Erie, PA U.S.A. 16502 · Ph. 855-663-9876, Fax 814-454-7929
 In Canada | Zurn Industries Limited
 3544 Nashua Drive, Mississauga, Ontario L4V 1L2 · Ph. 905-405-8272, Fax 905-405-1292
www.zurn.com

Rev. H
 Date: 8/29/17
 C.N. No. 137625
 Prod. | Dwg. No. Z665