



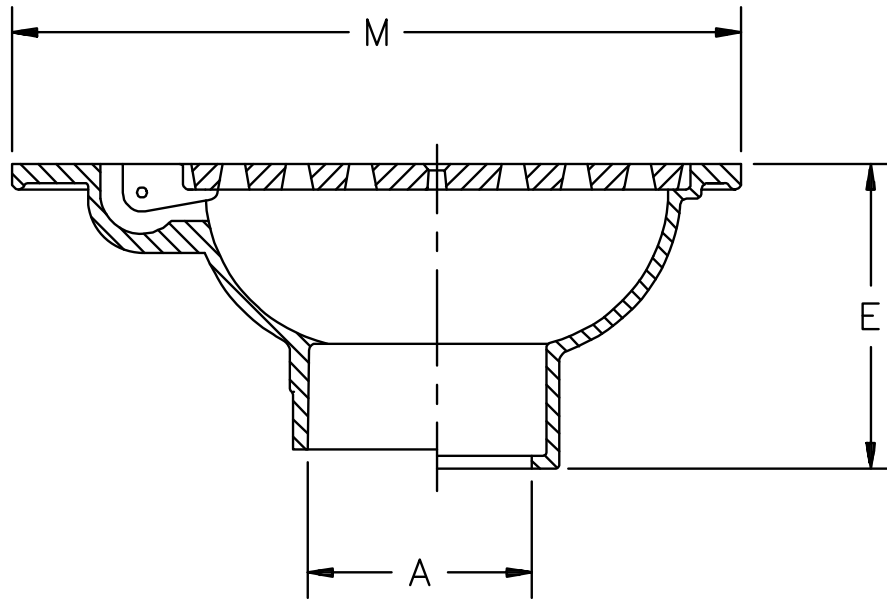
Z560

SPECIFICATION SHEET

9 [229] OR 12 [305] LIGHT-DUTY CELLAR DRAIN

TAG _____

Dimensional Data (inches and [mm]) are Subject to Manufacturing Tolerances and Change Without Notice



Dimensions In Inches		Approx. Wt. Lbs. [kg]	Grate Open Area Sq. In. [cm ²]
A Pipe Size	M		
3 [76]	9 [229]	15 [7]	9 [58]
4 [102]	12 [305]	27 [12]	14 [90]

ENGINEERING SPECIFICATION: ZURN Z560

9 [229] or 12 [305] Square top drain, Dura-Coated cast iron body with bottom outlet and cast iron round hinged perforated light-duty grate.

OPTIONS (Check/specify appropriate options)

PIPE SIZE

- 3 [76]
- 4 [102]
- 3 [76]
- 4 [102]
- 3, 4 [76, 102]

(Specify size/type) OUTLET

- ___ IC Inside Caulk
- ___ IC Inside Caulk
- ___ IG Inside Gasket
- ___ IG Inside Gasket
- ___ NL Neo-Loc

'E' BODY HT. DIM.

- 6-1/2 [165]
- 5-3/4 [146]
- 6-1/2 [165]
- 5-3/4 [146]
- 6 [152]

PREFIXES

- ___ Z D.C.C.I. Body and Grate*

SUFFIXES

- ___ -AR Acid Resisting Epoxy Coated Cast Iron
- ___ -G Galvanized Cast Iron
- ___ -TC Neo-Loc Test Cap Gasket (3 [76] - 4 [102] NL Bottom Outlet Only)
- ___ -TS Top Secured with Slotted Screws
- ___ -V Backwater Valve (See Z1099)
- ___ -VP Vandal-Proof Secured Top
- ___ -Y Sediment Bucket

REV. D	DATE: 11/16/10	C.N. NO. 120444
DWG. NO. 58950	PRODUCT NO. Z560	

*REGULARLY FURNISHED UNLESS OTHERWISE SPECIFIED