



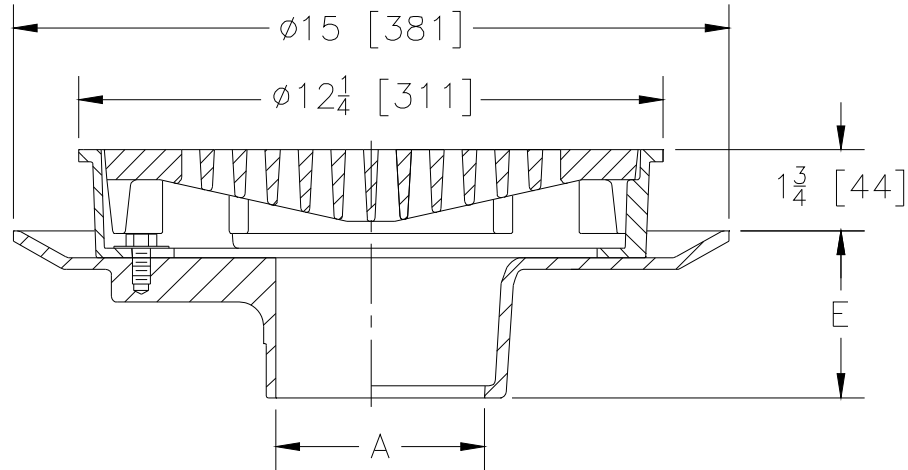
# Z509

## 12 [305] HEAVY DUTY DRAIN

SPECIFICATION SHEET

TAG \_\_\_\_\_

Dimensional Data (inches and [ mm ]) are Subject to Manufacturing Tolerances and Change Without Notice



A- Pipe Size In.	Approx. Wt. Lbs. [kg]	Grate Open Area Sq. In. [cm <sup>2</sup> ]
3-4-6 [76-102-152]	38 [17]	30 [194]

**ENGINEERING SPECIFICATION:** ZURN Z509 12 [305] Diameter top drain. Dura-Coated cast iron body with bottom outlet, seepage pan and combination membrane flashing clamp and frame for heavy duty tractor grate.

**OPTIONS** (Check/specify appropriate options)

**PIPE SIZE**

- 3-4-6 [76-102-152]
- 3-4-6 [76-102-152]
- 3-4-6 [76-102-152]
- 3-4-6 [76-102-152]
- 3-4 [76-102]

(Specify size/type) **OUTLET**

- \_\_\_ IC Inside Caulk
- \_\_\_ IG Inside Gasket
- \_\_\_ IP Threaded
- \_\_\_ NH No-Hub
- \_\_\_ NL Neo-Loc

**'E' BODY HT. DIM.**

- 3-1/2 [89]
- 3-1/2 [89]
- 3-1/2 [89]
- 3-1/2 [89]
- 2-5/8 [67]

**PREFIXES**

- \_\_\_ Z D.C.C.I. Body and Top\*
- \_\_\_ ZB D.C.C.I. Body with Polished Bronze Top (Add 3/16 [5] to 1-3/4 [44] Dim. and 3/4 [20] to 12-1/4 [311] Dim.)
- \_\_\_ ZN D.C.C.I. Body with Polished Nickel Bronze Top (Add 3/16 [5] to 1-3/4 [44] Dim. and 3/4 [20] to 12-1/4 [311] Dim.)

**SUFFIXES**

- \_\_\_ -AR Acid Resisting Epoxy Coated Cast Iron
- \_\_\_ -D Dome Grate
- \_\_\_ -DG Duresist Grate
- \_\_\_ -DX Dex-O-Tex Flange
- \_\_\_ -G Galvanized Cast Iron
- \_\_\_ -HP Heel-Proof Grate
- \_\_\_ -P Trap Primer Connection
- \_\_\_ -PH Grate with 3/8 [9] dia. Openings (Z only)
- \_\_\_ -S Secondary Strainer
- \_\_\_ -T Square Top
- \_\_\_ -TC Neo-Loc Test Cap Gasket (3 [76]-4 [102] NL Bottom Outlet Only)
- \_\_\_ -TS Top Secured with Slotted Screws
- \_\_\_ -V Backwater Valve (See Z1099)
- \_\_\_ -VP Vandal-Proof Secured Top
- \_\_\_ -Y Sediment Bucket
- \_\_\_ -90 90° Threaded Side Outlet Body

<b>REV. E</b>	<b>DATE: 11/15/10</b>	<b>C.N. NO. 120414</b>
<b>DWG. NO. 58925</b>	<b>PRODUCT NO. Z509</b>	

\*REGULARLY FURNISHED UNLESS OTHERWISE SPECIFIED