

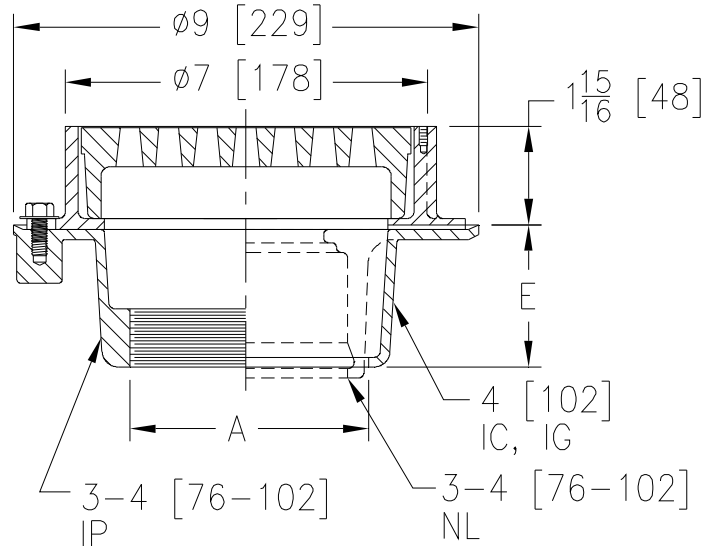


**Z507**  
7[178] MEDIUM DUTY DRAIN

SPECIFICATION SHEET

TAG \_\_\_\_\_

Dimensional Data (inches and [ mm ]) are Subject to Manufacturing Tolerances and Change Without Notice



A Pipe Size In.[mm]	Approx. Wt. Lbs. [kg]	Grate Open Area Sq. In. [cm <sup>2</sup> ]
3, 4 [76, 102]	15 [7]	9 [58]

**ENGINEERING SPECIFICATION: ZURN Z507**

7"[178mm] Diameter top drain, Dura-Coated cast iron body with bottom outlet, seepage pan and combination membrane flashing clamp and frame for medium-duty cast iron deep flange slotted grate.

**OPTIONS** (Check/specify appropriate options)

**PIPE SIZE**

- 4 [102]
- 4 [102]
- 3, 4 [76, 102]
- 3, 4 [76, 102]

(Specify size/type) **OUTLET**

- \_\_\_\_\_ IC Inside Caulk
- \_\_\_\_\_ IG Inside Gasket
- \_\_\_\_\_ IP Threaded
- \_\_\_\_\_ NL Neo-Loc

**'E' BODY HT. DIM.**

- 2-3/4 [70]
- 2-3/4 [70]
- 2-3/4 [70]
- 3 [76]

**PREFIXES**

- \_\_\_\_\_ Z D.C.C.I. Body and Top\*
- \_\_\_\_\_ ZN D.C.C.I. Body with Polished Nickel Bronze Top (Add 3/16 [5] to 1-1/2 [38] or 1-15/16 [48] Dim.)

**SUFFIXES**

- \_\_\_\_\_ -AR Acid Resisting Epoxy Coated Cast Iron
- \_\_\_\_\_ -F 2 [51] Extension Frame
- \_\_\_\_\_ -G Galvanized Cast Iron
- \_\_\_\_\_ -P Trap Primer Connection
- \_\_\_\_\_ -S Secondary Strainer
- \_\_\_\_\_ -TC Neo-Loc Test Cap Gasket (3, 4 [76, 102] NL Bottom Outlet Only)
- \_\_\_\_\_ -TS Top Secured with Slotted Screws
- \_\_\_\_\_ -VP Vandal-Proof Secured Top
- \_\_\_\_\_ -Y Sediment Bucket

\* Regularly furnished unless otherwise specified.