



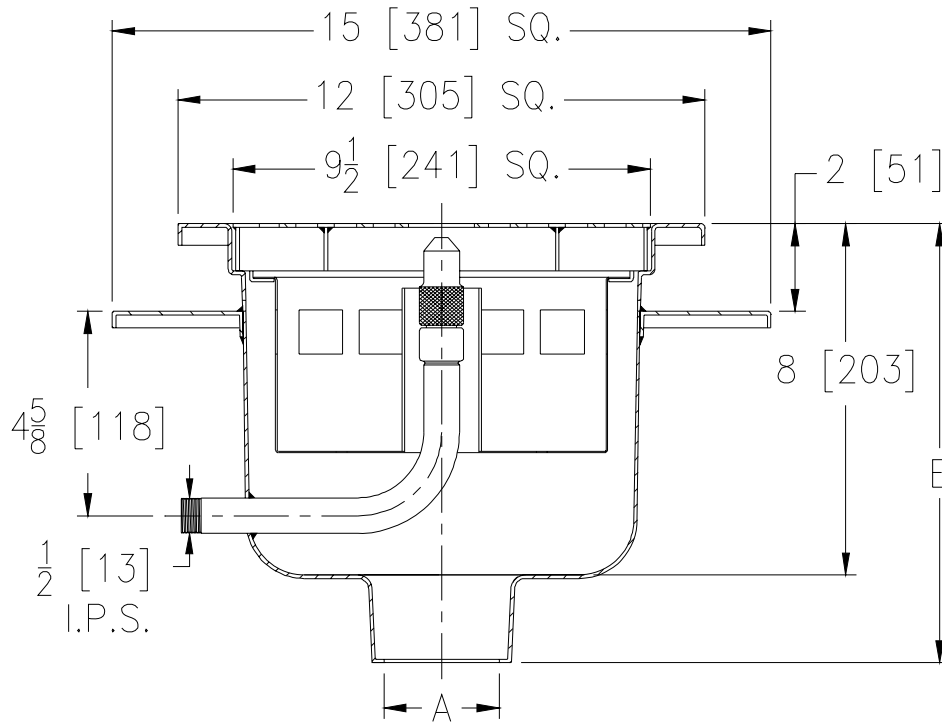
Z1982

SPECIFICATION SHEET

12 X 12 [305 X 305] STAINLESS STEEL SANI-FLOR CAN WASH DRAIN 8 [203] SUMP DEPTH

TAG _____

Dimensional Data (inches and [mm]) are Subject to Manufacturing Tolerances and Change Without Notice



A- Pipe Size In.	Approx Wt. Lbs. [kg]	Grate Open Area Sq. In. [cm ²]
3-4 [76-102]	45 [20]	20 [129]

ENGINEERING SPECIFICATION: ZURN Z1982
Sani-Flor Can Wash Drain, 12 x 12 x 8 [305 x 305 x 203] deep fabricated stainless steel body with bottom outlet, anchor pan, medium-duty stainless steel loose set grate, with standing sediment bucket. Complete with chrome plated bronze spray nozzle and water supply assembly.

OPTIONS (Check/specify appropriate options)

PIPE SIZE

3-4 [76-102]
3-4 [76-102]

(Specify size/type) **OUTLET**

___ IC Inside Caulk
___ NH No-Hub

'E' BODY HT. DIMENSION

10-5/8 [270]
10 [254]

PREFIXES

___ Z All Type 304 Stainless Steel

SUFFIXES

___ -C Clamp Collar
___ -WB Water Supply Control Box (See Z1464)
___ -11 Vandal-Proof Secured Grate
___ -31 Stainless Steel Mesh Liner for Bucket

REV. D DATE: 11/24/10 C.N. NO. 120519

DWG. NO. 59352 PRODUCT NO. Z1982

*REGULARLY FURNISHED UNLESS OTHERWISE SPECIFIED

ZURN INDUSTRIES, LLC. ♦ SPECIFICATION DRAINAGE OPERATION ♦ 1801 Pittsburgh Ave. ♦ Erie, PA 16514

Phone: 814/455-0921 ♦ Fax: 814/454-7929 ♦ World Wide Web: www.zurn.com

In Canada: ZURN INDUSTRIES LIMITED ♦ 3544 Nashua Drive ♦ Mississauga, Ontario L4V1L2 ♦ Phone: 905/405-8272 Fax: 905/405-1292