



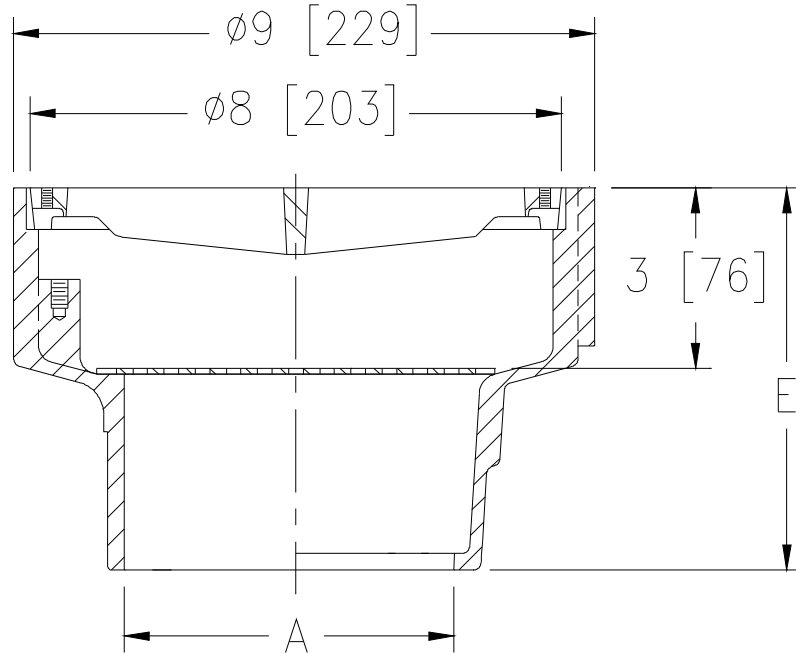
# Z1970

9 [229] DIAMETER SHALLOW A.R.C. SANI-FLOR RECEPTOR 3 [76] SUMP DEPTH

SPECIFICATION SHEET

TAG \_\_\_\_\_

Dimensional Data (inches and [ mm ]) are Subject to Manufacturing Tolerances and Change Without Notice



A- Pipe Size in.[mm]	Approx Wt. lbs.[kg]	Grate Open Area in. <sup>2</sup> [cm <sup>2</sup> ]
2,3,4 [51,76,102]	14 [6]	18 [116]

### ENGINEERING SPECIFICATION: ZURN Z1970

Sani-Flor Receptor 9" [229mm] Dia. x 3" [76mm] deep cast iron body and round slotted medium-duty grate, with white acid resisting epoxy coated interior and top, complete with brass secondary strainer.

### OPTIONS (Check/specify appropriate options)

#### PIPE SIZE

2,3,4 [51,76,102]  
2,3,4 [51,76,102]

#### (Specify size/type) OUTLET

\_\_\_ NH No-Hub  
\_\_\_ NL Neo-Loc

#### 'E' BODY HT. DIMENSION

Z	ZN
5-3/4 [146]	6 [152]
4-7/8 [124]	5-1/8 [152]

#### PREFIXES

\_\_\_ Z Cast Iron Body with White A.R.C. Interior\*  
\_\_\_ ZN Cast Iron Body with White A.R.C. Interior, 9 [229] Round N.B. Frame and Full Slotted Grate.  
(Add 11/16 [175] to 9 [229] Dim.)

#### SUFFIXES

- \_\_\_ -K Anchor Flange
- \_\_\_ -KC Anchor Flange with Seepage Holes and Clamp Collar
- \_\_\_ -P 1/2 [13] Trap Primer Connection
- \_\_\_ -TC Neo-Loc Test Cap Gasket  
(2,3,4 [51,76,102] NL Bottom Outlet Only)
- \_\_\_ -2 1/2 Grate
- \_\_\_ -3 3/4 Grate
- \_\_\_ -4 Full Grate with Center Opening
- \_\_\_ -5 Grate w/ 4 [102] Dia. x 3-3/4 [95] High Funnel
- \_\_\_ -7 Grate w/ 6-3/4 x 3 x 1 [171 x 76 x 25] High Oval Funnel
- \_\_\_ -11 Vandal-Proof Secured Grate
- \_\_\_ -25 White A.R.C. Bucket
- \_\_\_ -31 Stainless Steel Mesh Liner for Bucket

\* Regularly furnished unless otherwise specified.