

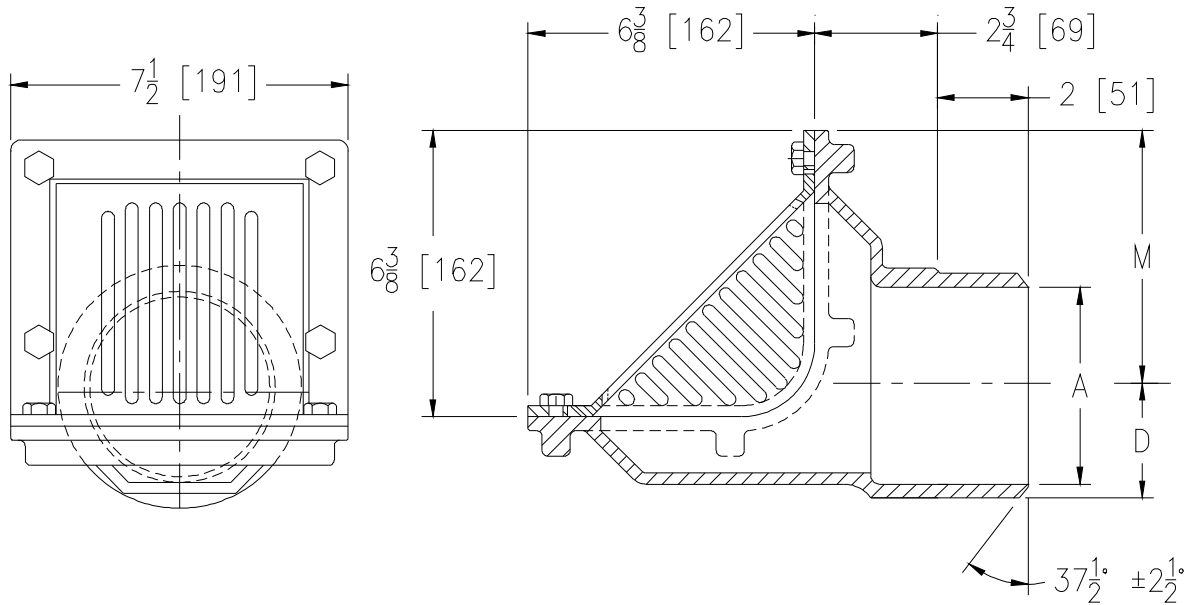


Z1717
SCUPPER DRAIN

SPECIFICATION SHEET

TAG _____

Dimensional Data (inches and [mm]) are Subject to Manufacturing Tolerances and Change Without Notice



Dimensions in Inches [mm]			Approx. Wt. Lbs. [kg]	Grate Open Area Sq. In. [cm ²]
A- Pipe Size	D	M		
3 [76]	2 [51]	6-1/8 [156]	24 [11]	20 [129]
4 [102]	2-1/2 [63]	5-5/8 [143]		

ENGINEERING SPECIFICATION: ZURN Z1717
Scupper drain with Type 304 (CF8) stainless steel body and cast aluminum oblique grate and two piece clamp collar.

OPTIONS (Check/specify appropriate options)

PIPE SIZE

③ 4 [76,102]

(Specify size) **OUTLET**

___ BW Butt-weld
(Specify Schedule 10 or 40)

PREFIXES

___ Z Type 304 (CF8) Stainless Steel Body*
___ ZM Type 316 (CF8M) Stainless Steel Body

OPTIONS

___ -VP Vandal-Proof Secured Top

* Regularly furnished unless otherwise specified.