



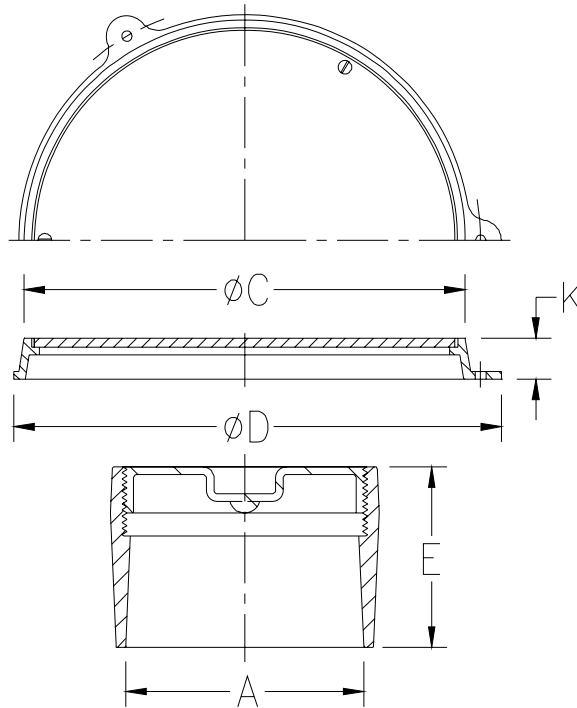
Z1444

FLOOR CLEANOUT W/ ROUND ACCESS COVER

SPECIFICATION SHEET

TAG _____

Dimensional Data (inches and [mm]) are Subject to Manufacturing Tolerances and Change Without Notice



Dimensions In Inches					Approx. Wt. Lbs. [kg]
A-Pipe Size	C	D	E	K	
2 [51]	6-5/8 [168]	7-1/2 [190]	2-1/2 [64]	3/4 [19]	5 [2]
3 [76]			2-3/4 [70]		7 [3]
4 [102]			3 [76]		10 [5]
5 [127]	10-3/4 [273]	11-7/8 [302]	3 [76]	1 [25]	12 [5]
6 [152]			3 [76]		13 [6]
8 [203]			3-1/2 [89]		20 [9]

ENGINEERING SPECIFICATION: ZURN ZN1444
 Floor Cleanout with Dura Coated cast iron body, gas and watertight ABS tapered thread plug, and polished scoriated secured nickel bronze access cover and frame.

OPTIONS (Check/specify appropriate options)

PIPE SIZE (Specify size) **OUTLET**
 2 thru 6 - 8 [51 thru 152 - 203] ___ NH No-Hub

PREFIXES

- ___ ZB D.C.C.I. with Polished Bronze Scoriated Cover
- ___ ZN D.C.C.I. with Polished Nickel Bronze Scoriated Cover*

SUFFIXES

- ___ -A Raised Head Plug
- ___ -BP Bronze Plug
- ___ -CH Cleanout Access Housing (2 - 3 & 4 [51 - 76 & 102] Sizes Only)
- ___ -CM Carpet Marker
- ___ -G Galvanized Cast Iron
- ___ -HC Hinged Cover
- ___ -ST Smooth Top
- ___ -VP Vandal-Proof Secured Top
- ___ -X Round Top Recessed for 1/8 [3] Tile

REV. E	DATE: 11/04/10	C.N. NO. 120249
DWG. NO. 58765	PRODUCT NO. Z1444	

*REGULARLY FURNISHED UNLESS OTHERWISE SPECIFIED