



# Z1325

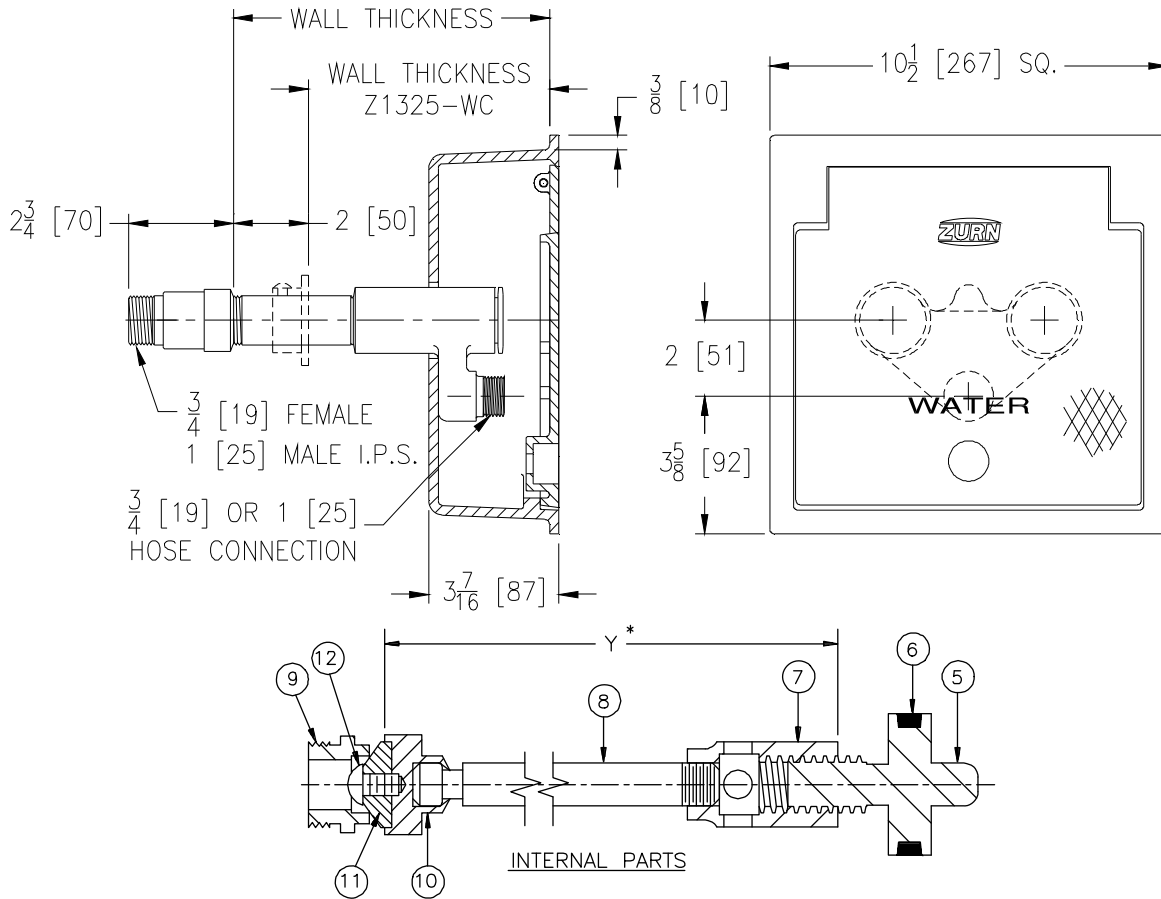
## WALL HYDRANT

### Encased, Vari-Temp, Non-Freeze

SPECIFICATION SHEET

TAG \_\_\_\_\_

Dimensional Data (inches and [ mm ]) are Subject to Manufacturing Tolerances and Change Without Notice



Wall Thickness Inches	Approx. Wt. Lbs. [kg]
6-8 [152-203]	27 [12]
10-12-14 [254-305-356]	31 [14]
16-18 [406-457]	35 [16]
20-22-24 [508-559-610]	39 [18]

**ENGINEERING SPECIFICATION:** ZURN Z1325 "Vari-Temp" combination hot and cold water, non-freeze, encased wall hydrant for flush installation. Complete with bronze casing, all bronze interior parts, non-turning operating rods with free-floating compression closure valves, replaceable bronze seat and seat washer, and combination 3/4 [19] female or 1 [25] male straight IP inlet. Nickel bronze box and hinged cover with operating key lock and "WATER" cast on cover.

**NOTE:** When (-VB) vacuum breaker suffix is specified, the vacuum breaker must be manually tripped at the end of usage to facilitate drainage of the hydrant and maintain the non-freeze feature.

**OPTIONS** (Check/specify appropriate options)

**SUFFIXES**

- \_\_\_ -CL Cylinder Lock
- \_\_\_ -NW Narrow Wall
- \_\_\_ -PB Polished Bronze Face
- \_\_\_ -RA2 12 [305] Replacement Rod Assembly with Repair Kit (-RK)
- \_\_\_ -RA4 24 [610] Replacement Rod Assembly with Repair Kit (-RK)
- \_\_\_ -RB Plain Bronze Face
- \_\_\_ -RK Hydrant Parts Repair Kit
- \_\_\_ -VB 3/4 [19] Adapter Vacuum Breaker
- \_\_\_ -WC Wall Clamp
- \_\_\_ -34FS 3/4 [19] Solder Female Inlet Adapter
- \_\_\_ -34UN 3/4 [19] IP 90° Inlet Elbow w/Union Nut

**PARTS LIST**

Item	Name	Quan.
5	Operating Screw	1
6	O-Ring	1
7	Operating Coupling	1
8	Operating Rod	1
9	Removable Seat	1
10	Washer Guide	1
11	Washer (neoprene)	1
12	Screw	1

<b>REV. H</b>	<b>DATE: 10/22/10</b>	<b>C.N. NO. 111938</b>
<b>DWG. NO. 58873</b>		<b>PRODUCT NO. Z1325</b>

\*WHEN ORDERING REPLACEMENT PARTS SPECIFY DIM.