



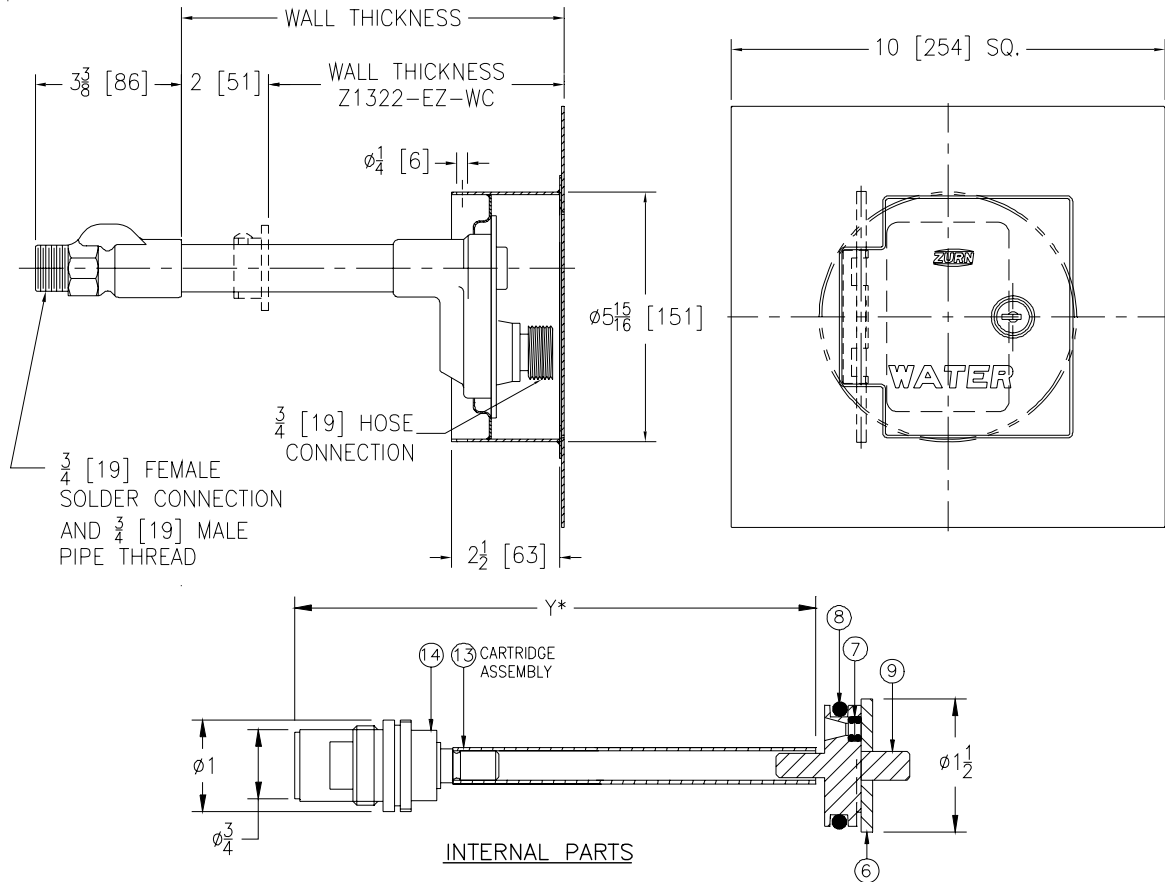
# Z1322-EZ

SPECIFICATION SHEET

## ECOLOTRON CERAMIC DISC WALL HYDRANT Encased, Non-Freeze, Anti-Siphon, Automatic Draining

TAG \_\_\_\_\_

Dimensional Data (inches and [ mm ]) are Subject to Manufacturing Tolerances and Change Without Notice



Wall Thickness Inches	Approx. Wt. Lbs. [kg]
6-8 [152-203]	5 [2]
10-12-14 [254-305-356]	6 [3]
16-18 [406-457]	7 [3]
20-22-24 [508-559-610]	8 [4]
26-30 [660-762]	10 [5]

### ENGINEERING SPECIFICATION: ZURN Z1322-EZ

Encased Ecolotrol "anti-siphon" automatic draining wall hydrant. For flush installation in 6 [152] dia. cored hole concrete exterior wall. Complete with integral backflow preventer, copper casing, all bronze interior parts with 1/2 turn ceramic disc cartridge and combination 3/4 [19] female solder and 3/4 [19] male pipe thread inlet. Stainless steel large flange box and hinged cover with operating key lock and "WATER" stamped on cover. (All solder connections are lead free.)

Note: During normal operation, the hydrant may take as long as one minute to complete the self-draining process. This drainage feature should not be mistaken for an unsealed shut-off of the hydrant, and over-tightening of the operating coupling is not necessary.

### PARTS LIST

Item	Name	Quan.
14	Cartridge	1
13	Operating Tube	1
9	Operating Coupling	1
8	'O' Ring	1
7	'O' Ring	2
6	Retaining Washer	1

### OPTIONS (Check/specify appropriate options)

#### SUFFIXES

- \_\_\_ -CL Cylinder Lock
- \_\_\_ -RK Hydrant Parts Repair Kit
- \_\_\_ -RT12 Ceramic Cartridge Removal Tool (Up to 12 [305] Wall)
- \_\_\_ -RT24 Ceramic Cartridge Removal Tool (Up to 24 [610] Wall)
- \_\_\_ -RT36 Ceramic Cartridge Removal Tool (Up to 36 [915] Wall)
- \_\_\_ -34EL 3/4 [19] IP 90° Solder Inlet Elbow
- \_\_\_ -34FIP 3/4 [19] IP Straight Female Inlet Adapter
- \_\_\_ -8 8 [203] Dia. Cored Hole

**PATENTED**

PAT. NO. 7,395,834

REV. F      DATE: 07/21/11      C.N. NO. 121651

DWG. NO. 67499      PRODUCT NO. Z1322-EZ

\*WHEN ORDERING REPLACEMENT CARTRIDGE ASSEMBLY SPECIFY DIM.

ZURN INDUSTRIES, LLC. ♦ SPECIFICATION DRAINAGE OPERATION ♦ 1801 Pittsburgh Ave. ♦ Erie, PA 16514

Phone: 814/455-0921 ♦ Fax: 814/454-7929 ♦ World Wide Web: www.zurn.com

In Canada: ZURN INDUSTRIES LIMITED ♦ 3544 Nashua Drive ♦ Mississauga, Ontario L4V1L2 ♦ Phone: 905/405-8272 Fax: 905/405-1292