



# Z1218

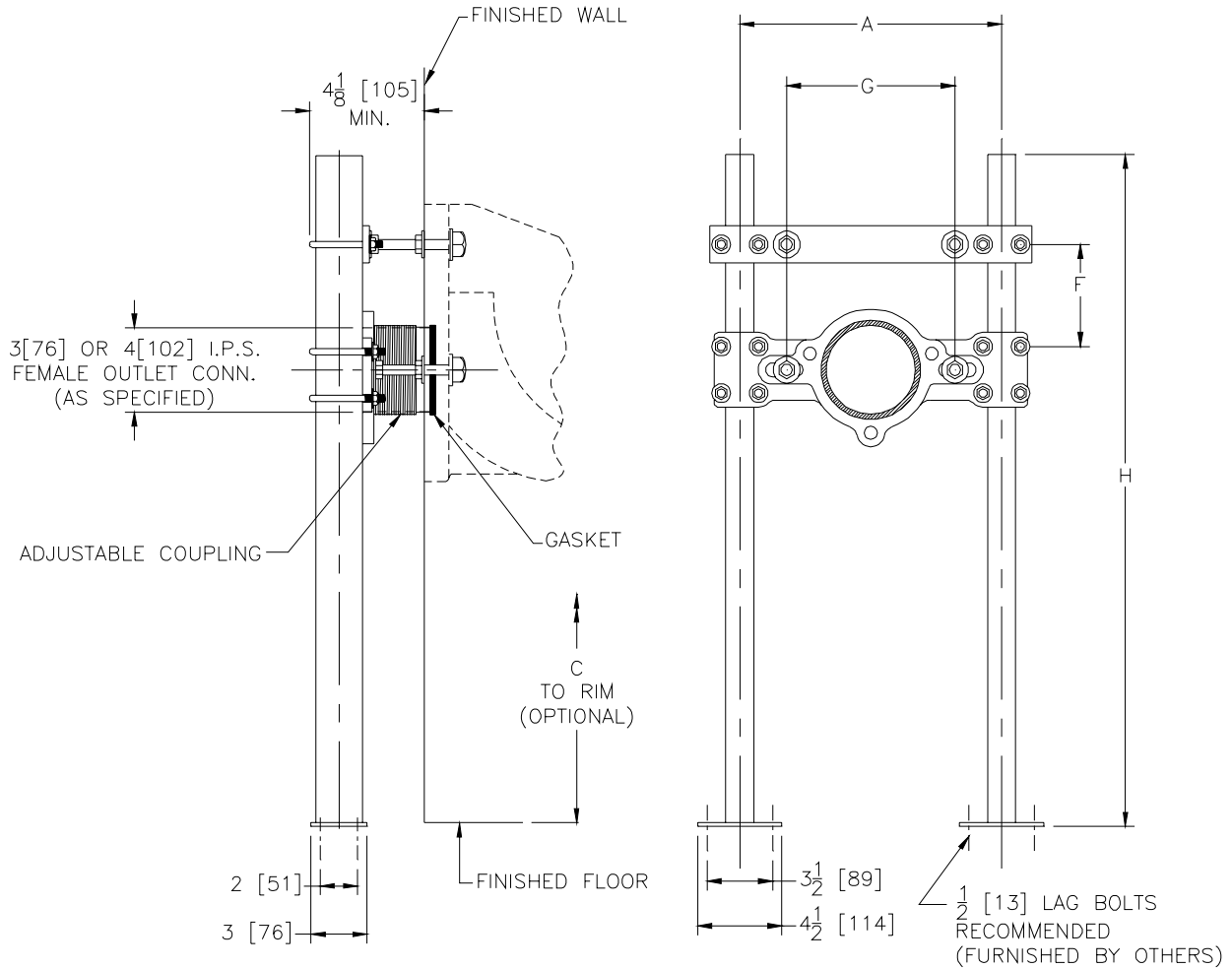
## COUPLING TYPE SYSTEM

### WALL URINAL / SERVICE SINK

SPECIFICATION SHEET

TAG \_\_\_\_\_

Dimensional Data (inches and [ mm ]) are Subject to Manufacturing Tolerances and Change Without Notice



| Product No. | Outlet Inches | Approx. Wt. Lbs. [kg] |
|-------------|---------------|-----------------------|
| Z1218       | 3-4 [76-102]  | 63 [29]               |

**ENGINEERING SPECIFICATION: ZURN Z1218**

Service sink support system. Complete with Dura-Coated rectangular steel uprights with welded feet, adjustable face plate and upper support plate, adjustable corrosion resistant coupling, fixture bolts, trim and bonded "Neo-Seal" gasket.

**OPTIONS** (Check/specify appropriate options)

**PREFIXES**

\_\_\_ Z Dura-Coated System with Adjustable Coupling \*

**SUFFIXES**

- \_\_\_ -B Blowout Type Fixture Support
- \_\_\_ -VP Vandal Proof Trim
- \_\_\_ -WS Wall Support Valve Plate (Specify Valve Name and Number)
- \_\_\_ -79 Paraplegic Rough-In

\*REGULARLY FURNISHED UNLESS OTHERWISE SPECIFIED

|                       |                      |                          |
|-----------------------|----------------------|--------------------------|
| <b>REV. E</b>         | <b>DATE: 3/24/05</b> | <b>C.N. NO. 93147</b>    |
| <b>DWG. NO. 58848</b> |                      | <b>PRODUCT NO. Z1218</b> |