



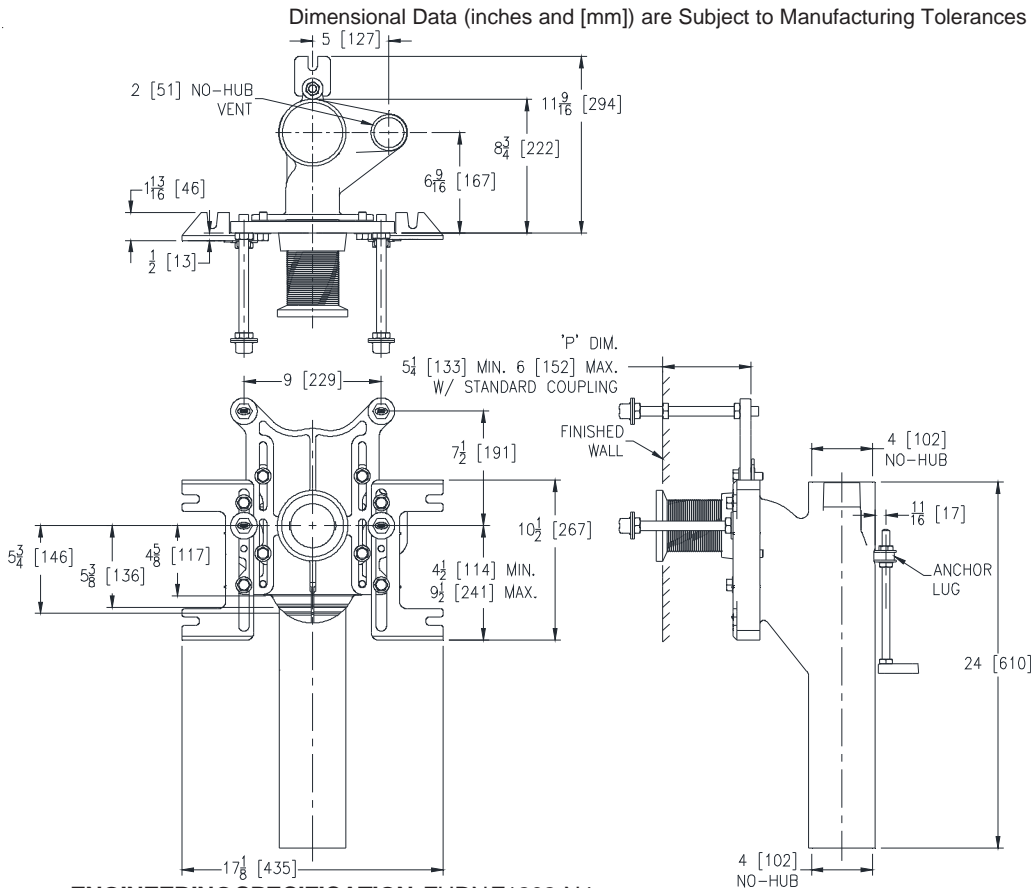
# Z1202-N4

## EZCARRY® ADJUSTABLE VERTICAL HIGH PERFORMANCE SIPHON JET NO-HUB WATER CLOSET CARRIER SYSTEM

SPECIFICATION SHEET

TAG \_\_\_\_\_

Dimensional Data (inches and [mm]) are Subject to Manufacturing Tolerances and Change Without Notice



Product Number	Approx. Wt. lbs [kg]
Z1202-N4	65 [29]

Note:

1. Z coupling, Min. 'P' Dim. Obtainable=2 [51]  
ZQ coupling, Min. 'P' Dim. Obtainable=5 [127]
2. Feet bolted to floor using min. 1/2 [13] dia. anchors.
3. Rear anchor foot required for secure installation.
4. 2 [51] No-Hub vent connection regularly furnished on right hand side. Left hand available when specified (Suffix -VL)
5. Auxiliary inlet available right (-JR) or left (-JL) or both sides (-JJ) when specified.

### ENGINEERING SPECIFICATION: ZURN Z1202-N4

EZCarry® vertical siphon jet water closet carrier system with high performance waterway and 4" [102mm] no-hub connections. System includes Dura-Coated cast iron main fitting with hydro-mechanically optimized sweep and extended 2" [51mm] vent, adjustable gasketed faceplate, universal floor mounted pre-fab slotted foot supports, heavy-duty 1/2" [13mm] rear anchor tie down, fixture bolts, trim, stud protectors, bonded "Neo-Seal" gasket, and corrosion resistant, adjustable 3" [76mm] dia. X 6" [152mm] coupling with integral test cap designed to increase flow velocity and line carry. EZCarry® system complies with the requirements of ASME A112.6.1M up to a 500 lbs [227 kg] static load rating.

### OPTIONS (Check/specify appropriate options)

Z1202-N4 4 [102] No-Hub Stack, Single Inlet, 2 [51] Right Hand Vent

### PREFIXES

- \_\_\_ Z D.C.C.I. System with Zurn ZZ Adjustable Coupling\*
- \_\_\_ ZQ D.C.C.I. System with NPT Faceplate, Non-Adjustable Coupling

### SUFFIXES

- \_\_\_ -A Auxiliary Support Assembly (For 'P' Dim. Greater than 18 [457])
- \_\_\_ -CC Corrosion Resistant Cast Iron Coupling (2-1/4 [57] to 12 [305])
- \_\_\_ -CE EZ-Set™ Coupling (Available 6 [152], 12 [305] or longer when specified. Minimum length=5 [127])
- \_\_\_ -CL Custom Length Standard Coupling with Integral Test Cap (Specify Length 4, 8, 10, 12 [102, 203, 254, 305])
- \_\_\_ -CS 2-1/4 [57] Polymer Coupling with Integral Test Cap
- \_\_\_ -F Floor Mounted, Back Outlet Fixture Support
- \_\_\_ -G Galvanized Cast Iron
- \_\_\_ -JJ Two 2 [51] Auxiliary Inlets
- \_\_\_ -JL 2 [51] Left-Hand Auxiliary Inlet
- \_\_\_ -JR 2 [51] Right-Hand Auxiliary Inlet
- \_\_\_ -M Auxiliary Foot Support (for 'P' Dim. 10 thru 18 [254 thru 457])
- \_\_\_ -RYK Unistrut Pre-Fab Foot Support
- \_\_\_ -RYK17 One Piece Unidtrut Pre-Fab Foot
- \_\_\_ -VL Left Hand Vent Connection
- \_\_\_ -VP Vandal-Proof Trim
- \_\_\_ -45 Finishing Frame for Siphon Jet System
- \_\_\_ -50 Flush Valve Supply Support for Water Closets

\* Regularly furnished unless otherwise specified.