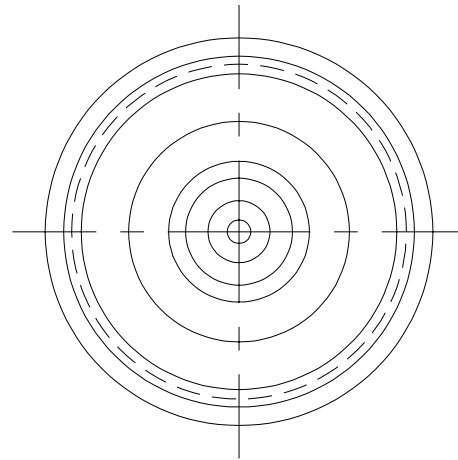


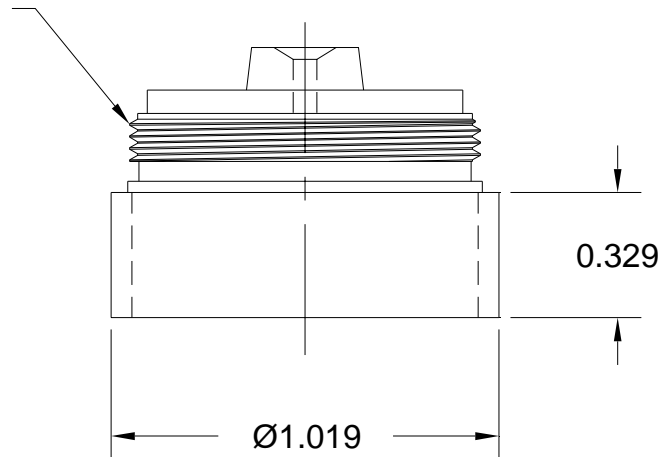


P6900-20-F

0.5 GPM Sensor Faucet Aerator



15/16-27
UNS-2A



Option on the following sensor faucets

- Z6901
- Z6903-77
- Z6912
- Z6913
- Z6914
- Z6915
- Z6919

ENGINEERING SPECIFICATION: ZURN P6900-20F 0.5 GPM Sensor Faucet Aerator- 0.5 gpm vandal resistant male threaded aerator for Zurn Z6900 series of sensor faucets. Furnished with P6900-21 aerator wrench for removal when cleaning is required.

This space is for Architectural/engineering Approval

Distributed by:

WaterWise Technologies International
P.O. Box 18959 · Asheville, NC 28804

www.waterwisetech.net

828.252.8144