



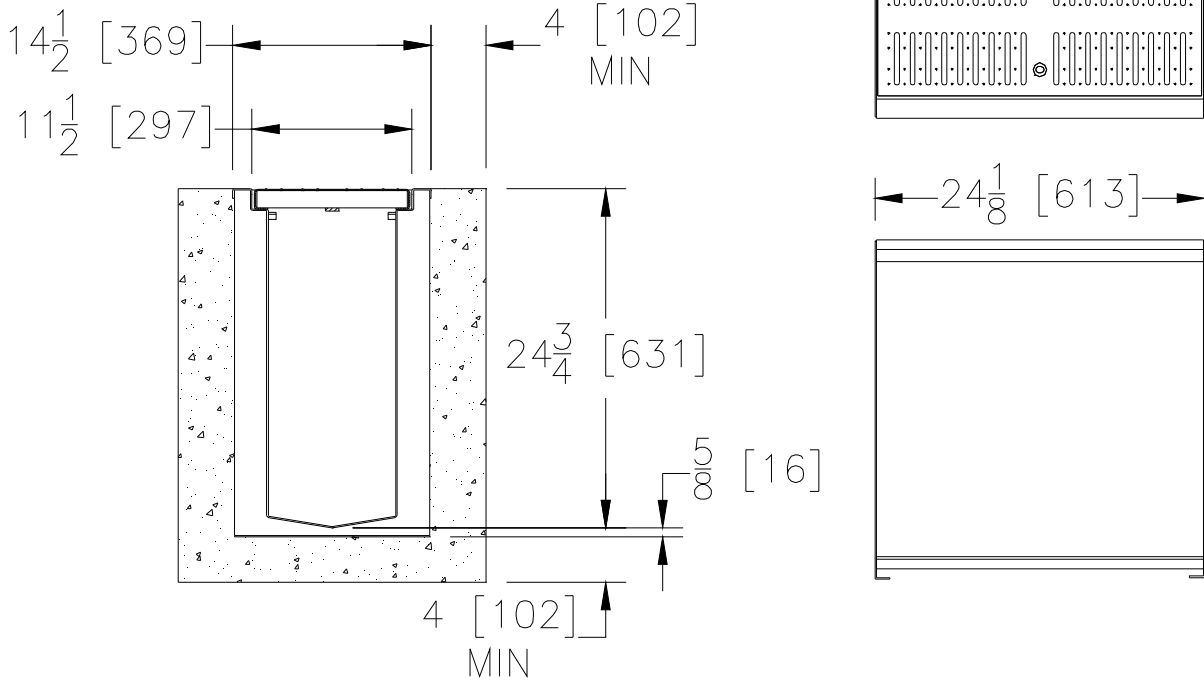
Z897-12

14-1/2 [369] WIDE REVEAL x 24-1/8 [613] LONG CATCH BASIN

TAG _____

Dimensional Data (inches and [mm]) are Subject to Manufacturing Tolerances and Change Without Notice

SPECIFYING ENGINEER IS RESPONSIBLE FOR
CONCRETE ENCASEMENT AND REINFORCING
BASED UPON APPLICATION AND LOCAL CODES



ENGINEERING SPECIFICATION: Zurn Z897-12

Catch Basin shall be 14-1/2 [369] wide reveal x 24-1/8 [613] long and 24 [610] deep. The body shall be made of 12ga. fabricated stainless steel conforming to ASTM A-240 (type 304). Catch basin shall weigh less than 20 bs.[9.1kg] per linear foot. Shall be provided with the standard RFS grates. Zurn 12 [305] wide reveal Stainless Steel Reinforced Slotted Grate conforming to ASTM specification A351, Grade CF8 (type 304), Fabricated grate is rated class B per the DIN EN1433 top load classification. Supplied in 24 [608] nominal lengths with 3/8 [10] wide slots, 1-1/2 [38] bearing depth. Grate has an open area of 25.61 sq. in. per ft [54207 sq. mm per meter]. Basins shall be produced in the U.S.A.

PREFIX OPTIONS (Check/specify appropriate options)

___ Z Twelve-inch by Twenty Four-inch, Type 304 Stainless Steel*

SUFFIX OPTIONS (Check/specify appropriate options)

Outlet Adapters Add/Each

- ___ -E3 3 [76] No-Hub End Outlet ___ -U3 3 [76] No-Hub Bottom Outlet
- ___ -E4 4 [102] No-Hub End Outlet ___ -U4 4 [102] No-Hub Bottom Outlet
- ___ -E6 6 [152] No-Hub End Outlet ___ -U6 6 [152] No-Hub Bottom Outlet

Grate Options (Load Classifications are per DIN EN1433)

- ___ -BDC Black Acid Resistant Epoxy Coated Ductile Grate - Class C
- ___ -BDE Black Acid Resistant Epoxy Coated Ductile Grate - Class E
- ___ -DC Ductile Iron Solid Cover - Class C
- ___ -DGC Ductile Iron Slotted Grate - Class C
- ___ -DGE Ductile Iron Slotted Grate - Class E
- ___ -DGF Ductile Iron Slotted Grate - Class F
- ___ -HPD Heel-Proof Ductile Slotted Grate - Class C
- ___ -HPDE Heel-Proof Ductile Slotted Grate - Class E
- ___ -RFSC Reinforced Slotted Stainless Steel Grate - Class C
- ___ -RPSC Reinforced Perforated Stainless Steel Grate - Class C
- ___ -RPSRC Reinforced Perforated Stainless Steel Reversed Punch Grate - Class C

MADE in the U.S.A.

- ___ -ADA-USA Meets Americans with Disabilities Act Requirements - Class C
- ___ -DGC-USA Ductile Iron Slotted Grate - Class C
- ___ -DGE-USA Ductile Iron Slotted Grate - Class E
- ___ -FG Fabricated Galvanized Steel Slotted Grate - Class A
- ___ -FS Fabricated Stainless Steel Slotted Grate - Class A
- ___ -GG Fiberglass Grate - Class A
- ___ -HPDE-USA Heel-Proof Ductile Slotted Grate - Class E
- ___ -PS Perforated Stainless Steel Grate - Class A
- ___ -RFS Reinforced Stainless Steel Slotted Grate - Class B *
- ___ -RPS Reinforced Stainless Steel Perforated Grate - Class B

MADE in the U.S.A.

- ___ -SBG-L Stainless Steel Bar Grate - Class C

Miscellaneous Options

- ___ -DB Bottom Dome Strainer

REV. D DATE: 5/8/12 C.N. NO. 124235

PROD./DWG. NO. Z897-12

*REGULARLY FURNISHED UNLESS OTHERWISE SPECIFIED