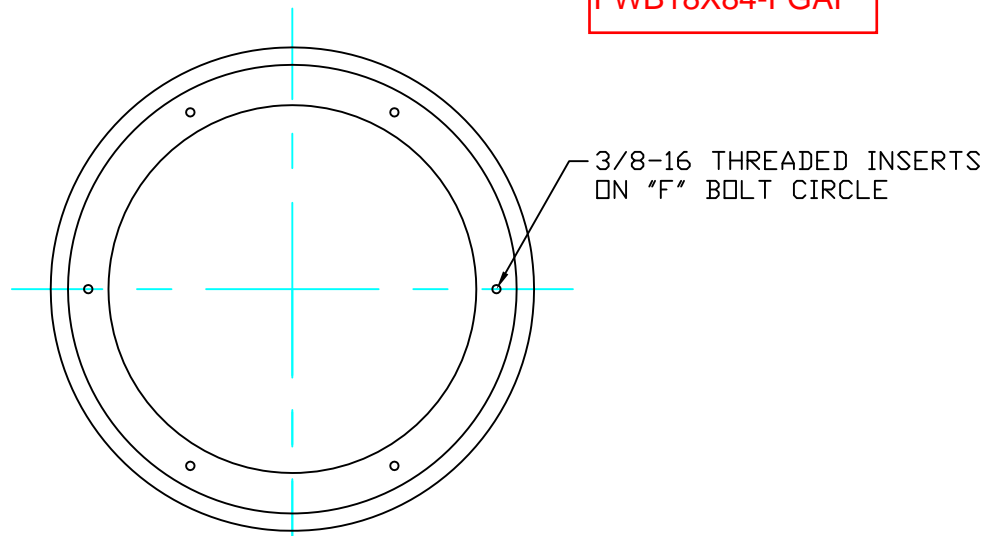
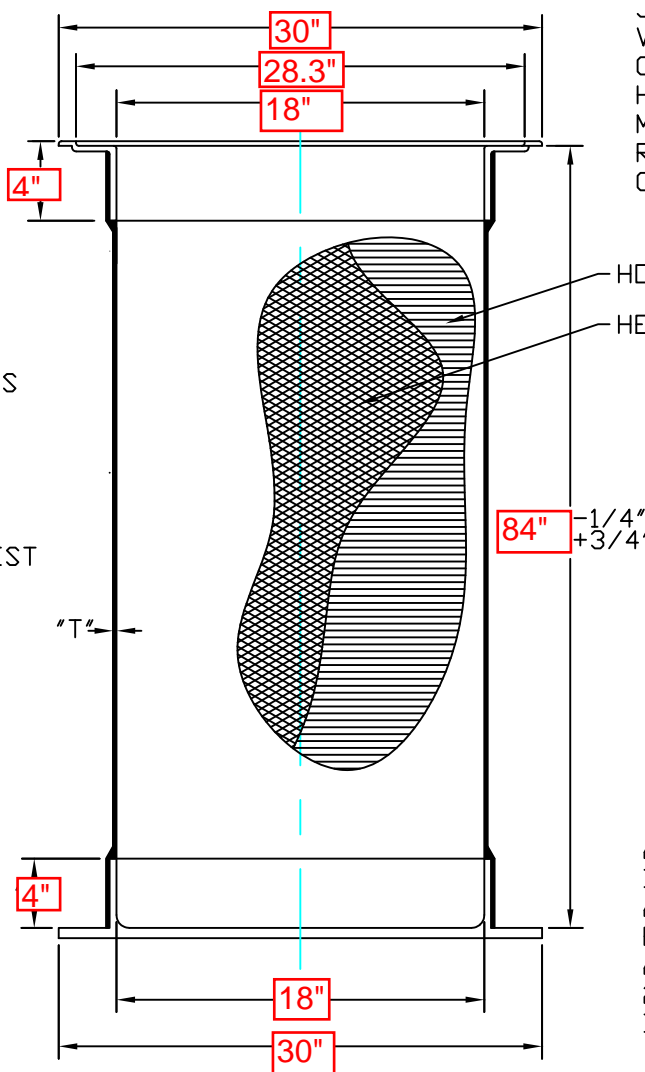


**FWB18X84-FGAF**



3/8-16 THREADED INSERTS ON "F" BOLT CIRCLE



JACKEL BASINS ARE WOUND WITH A PROPRIETARY COMBINATION OF HOOP AND HELICAL WRAPS TO SUPPLY MAXIMUM STRENGTH AND RIGIDITY FOR EACH BASIN SIZE COLOR BLUE

HOOP WRAP  
HELICAL WRAP

THICKNESSES OF JACKEL'S FWRP BASINS ARE DETERMINED BY BASIN DIAMETER AND LENGTH. THICKNESS OF GIVEN BASIN WILL BE SUPPLIED UPON REQUEST TO JACKEL INC.

AVAILABLE WITHOUT BASEPLATE. STEEL BASEPLATE AVAILABLE ALL SIZES. FIBERGLASS BASEPLATES AVAILABLE ON 24",30",36",48",60",72" DIAMETER BASINS.

BASIN DIA.	"A"	"B"	"C"	"D"	"E"	"F"	"G"
24"	24.1	28.3	30.0	AS REQ'D	24.0	26.5	4.0
30"	30.1	34.3	36.0	AS REQ'D	30.0	32.5	4.0
36"	36.1	40.3	42.0	AS REQ'D	36.0	38.5	4.0
42"	42.1	46.3	48.0	AS REQ'D	42.0	44.5	5.0
48"	48.1	54.3	56.0	AS REQ'D	48.0	51.0	5.0
60"	60.1	66.3	68.0	AS REQ'D	60.0	63.0	6.0
72"	60.1	78.3	80.5	AS REQ'D	72.0	75.0	6.0

**JACKEL, INC.**  
15314 HARRISON ROAD  
MISHAWAKA, INDIANA 46544 USA

PART NAME: FIBERGLASS FILAMENT WOUND BASINS

REVISED 10/02/09	FINISH AS WOUND	DATE 12-18-06	SCALE NTS
DESIGN ENGR. J.HASLOCK	DRAWN BY S.JACKMAN	SHEET 1	OF 1
		JOB NO. F.W.BASINS	

ALL INFORMATION CONTAINED IN THIS DOCUMENT IS CONFIDENTIAL AND PROPRIETARY TO JACKEL INC.