

quality . service
innovation . integrity

180, 190 Series



"The color green is a registered trademark of Zoeller Pump Co."



Features

The Flow-Mate series of submersible pumps is designed for use in residential or light commercial dewatering applications and can be used to transfer groundwater or effluent. These durable cast iron pumps include a powder coated epoxy finish to prevent corrosion, and are designed to provide great heat dissipation from the motor, ensuring a long service life. As with every Zoeller® pump, each one is 100% pressure-tested, submerged and run to ensure quality and reliability for years of trouble-free performance!

- Automatic models include a float-operated, 2-pole mechanical switch, a stainless steel float guard and switch arm, and a buoyant polystyrene float.
- Nonautomatic units are ideal for use in septic systems, low pressure pipe (LPP), and enhanced flow STEP systems.
- For nonautomatic pumps, variable level control systems and containers of various sizes are available for longer cycles.
- Double seal models are available to prevent leaks and damage to seals or bearings during dry run conditions as well as improve bearing lubrication.
- Includes a stainless steel handle for easy installation and removal.
- All models are hermetically sealed to be watertight, dust-tight, and completely submersible.

Reserve Powered Design: For unusual conditions, a reserve safety factor is engineered into the design of every pump.

Specifications

Motor Characteristics

Motor	1 - 2 HP
Voltage	200 - 575 V
Phase	1 or 3 Ph
Hertz	60 Hz
RPM	3450 RPM
Type	Permanent split capacitor or 3 Ph
Insulation	Class B/185 & 4185, Class F/186-191 & 4186-4189
Amps	3.3 - 20.5 Amps

Pump Characteristics

Operation	Automatic or nonautomatic
Auto On/ Off Points	15¼" (400 mm) / 5¼" (133 mm)
Discharge Size	1½" NPT (optional 2" or 3" flange)
Solids Handling	180/4180: ¾" (19 mm), 191: 5/8" (15 mm) spherical solids
Cord Length	20' (6 m) standard
Cord Type	UL listed, 3-wire neoprene cord and plug (1 Ph) or 4-wire cord with no plug (3 Ph)
Max Head	137' (42 m)
Max Flow Rate	145 GPM (549 LPM)
Max Operating Temp	130 °F (54 °C), (model WD189 120 °F [49 °C])
Cooling	Oil filled
Motor Protection	Auto reset thermal overload (1 Ph)

Materials Characteristics

Cap	Cast iron
Motor Housing	Cast iron
Pump Housing	Cast iron
Base	Cast iron
Upper Bearing	Ball bearing
Lower Bearing	Ball bearing
Mechanical Seals	Carbon and ceramic
Impeller Type	Non-clogging vortex
Impeller	Bronze
Hardware	Stainless steel
Motor Shaft	1117 carbon steel or 416 stainless steel*
Gasket	Neoprene



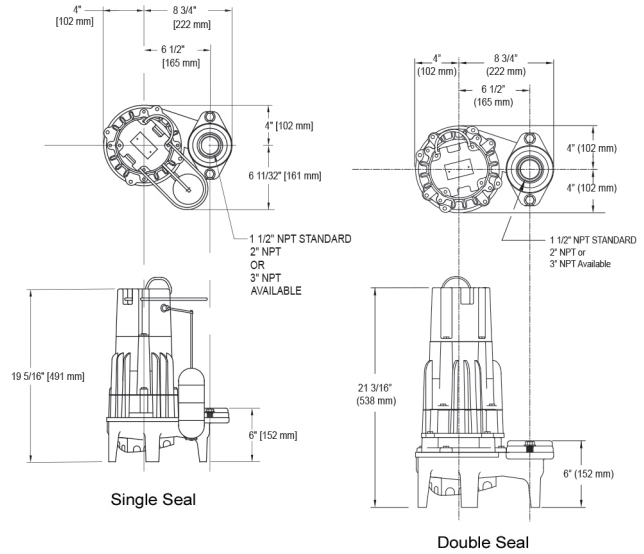
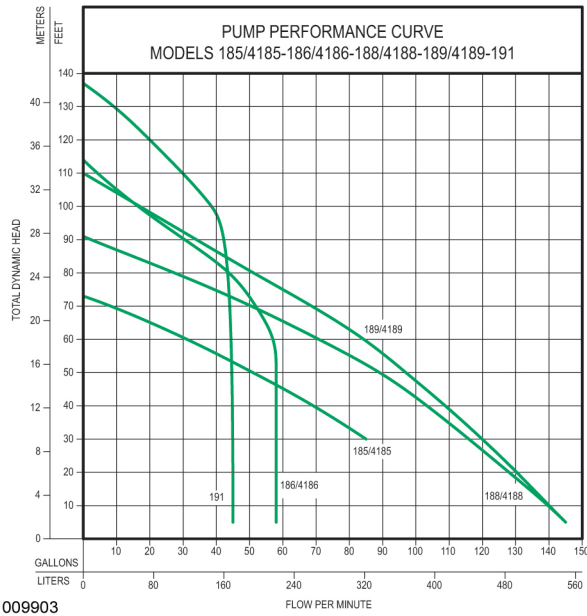
PUMP COMPANY

Zoeller Family of Water Solutions™



FM0659_Ea

180, 190 Series



Model

Model Number	Seal	Mode	Volts	Phase	Amps	HP	Hz	Lbs	Kg
D185 / H185	Single	Auto	230 / 200	1	9.8 / 11.5	1	60	85 / 86	38 / 39
E185/E4185	Single / Dbl	Non	230	1	9.8	1	60	85 / 92	38 / 41
I185/I4185	Single / Dbl	Non	200	1	11.5	1	60	85 / 92	38 / 41
F185/F4185	Single / Dbl	Non	230	3	7.4	1	60	85 / 92	38 / 41
J185/J4185	Single / Dbl	Non	200	3	7.5	1	60	85 / 92	38 / 41
G185/G4185	Single / Dbl	Non	460	3	3.7	1	60	85 / 92	38 / 41
BA185	Single	Non	575	3	3.3	1	60	85	38
BE185	Single	Auto	230	1	9.5	1	60	87	39
D186 / H186	Single	Auto	230 / 200	1	13.7 / 17.2	1-1/2	60	91	41
E186/E4186	Single / Dbl	Non	230	1	13.7	1-1/2	60	90 / 97	40 / 43
I186/I4186	Single / Dbl	Non	200	1	17.2	1-1/2	60	90 / 97	40 / 43
F186/F4186	Single / Dbl	Non	230	3	9.2	1-1/2	60	90 / 97	40 / 43
J186/J4186	Single / Dbl	Non	200	3	10.3	1-1/2	60	90 / 97	40 / 43
G186/G4186	Single / Dbl	Non	460	3	4.6	1-1/2	60	90 / 97	40 / 43
BA186/BA4186	Single/Double	Non	575	3	3.6	1-1/2	60	90/97	40/43
BE186	Single	Auto	230	1	13.7	1 1/2	60	92	42
D188 / H188	Single	Auto	230 / 200	1	14.0 / 16.8	1-1/2	60	91	41
E188/E4188	Single / Dbl	Non	230	1	14.0	1-1/2	60	90 / 97	40 / 43
I188/I4188	Single / Dbl	Non	200	1	16.8	1-1/2	60	90 / 97	40 / 43
F188/F4188	Single / Dbl	Non	230	3	8.9	1-1/2	60	90 / 97	40 / 43
J188/J4188	Single / Dbl	Non	200	3	10.3	1-1/2	60	90	40 / 43
G188/G4188	Single / Dbl	Non	460	3	4.6	1-1/2	60	95 / 97	43 / 43
BA188	Single	Non	575	3	3.5	1-1/2	60	90	40
BE188	Single	Auto	230	1	14.0	1 1/2	60	92	42
D189 / H189	Single	Auto	230 / 200	1	17.1 / 20.5	2	60	91	41
E189/E4189	Single / Dbl	Non	230	1	17.1	2	60	90 / 97	40 / 43
I189/I4189	Single / Dbl	Non	200	1	20.5	2	60	90 / 97	40 / 43
F189/F4189	Single / Dbl	Non	230	3	11.2	2	60	90 / 97	40 / 43
J189/J4189	Single / Dbl	Non	200	3	13.2	2	60	90 / 97	40 / 43
G189/G4189	Single / Dbl	Non	460	3	6.0	2	60	90 / 97	40 / 43
BA189/BA4189	Single/Double	Non	575	3	5.8	2	60	90/97	40/43
WD189/4189	Single / Dbl	Auto	230	1	17.1	2	60	93 / 100	42 / 45

Your Peace of Mind is Our Top Priority®
3649 Cane Run Rd | Louisville, KY 40211 USA

+1 502-778-2731 | 1-800-928-7867 | Fax: +1 502-774-3624

www.zoeller.com

180, 190 Series

Model Number	Seal	Mode	Volts	Phase	Amps	HP	Hz	Lbs	Kg
E191	Single	Non	230	1	14.5	2	60	87	39

*Single seal models are built with a carbon steel motor shaft, and double seal models are built with a stainless steel motor shaft.

WD models controlled by integral variable level pump switch.

H, I, J, F, G, BA models have no molded plug.

Cords available in 25' (8 m) 35' (11 m) and 50' (15 m).

Your Peace of Mind is Our Top Priority®

3649 Cane Run Rd | Louisville, KY 40211 USA

+1 502-778-2731 | 1-800-928-7867 | Fax: +1 502-774-3624

www.zoeller.com