

Product information presented here reflects conditions at time of publication. Consult factory regarding discrepancies or inconsistencies.

# ZOELLER

PUMP CO.



MAIL TO: P.O. BOX 16347 • Louisville, KY 40256-0347  
SHIP TO: 3649 Cane Run Road • Louisville, KY 40211-1961  
(502) 778-2731 • 1 (800) 928-PUMP • FAX (502) 774-3624

visit our web site:  
<http://www.zoeller.com>

## 2000 SERIES HIGH TEMPERATURE INTERMITTENT PUMPS

### SUBMERSIBLE PUMPS FOR USE IN DEWATERING APPLICATIONS

#### INTERMITTENT USE UP TO 200 DEGREES F.

#### COMPARE THESE FEATURES

- All models are designed to meet specifications with assurance by using high temperature parts rated for intermittent 200°F contact.
- High temperature switch components rated for intermittent service up to 200°F.
- Available in a variety of styles and performances:
  - .3 HP to 1/2 HP
  - 115 volts or 230 volts, single phase
  - 1-1/2", 2" or 3" discharge
- Pump cord length for all models is 15'.

#### ALL MODELS ARE BUILT TO LAST

- 15 ft. high temperature 16 gauge heavy-duty SOOW cordage.
- High temperature motor leads and thermal overload protection.
- Non-clog vortex impeller design.
- 100% corrosion resistant powder coated epoxy finish.
- 10 ft. cord, high temperature, adjustable float operated mechanical switch mounts directly to the discharge pipe. (BN & BE Models)
- Adjustable float switch is not intended for continuous contact with 200°F water.
- All stainless steel fittings.
- 100% factory tested and approved.

#### TYPICAL APPLICATIONS:

- Boiler blow-down.
- Hot water transfer.
- Plant wash-down.
- Transformer vaults.
- Industrial steam cleaning.

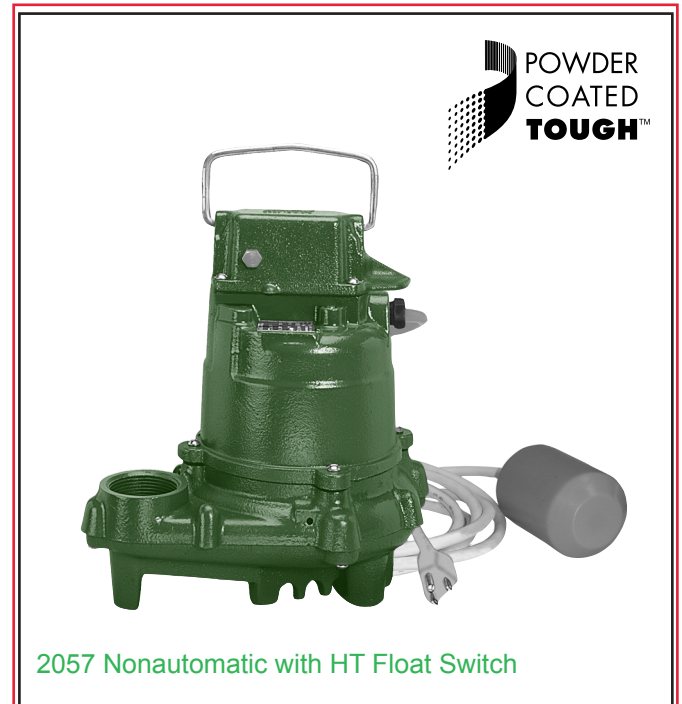
# ZOELLER

PUMP CO.



Manufacturers of . . .

"QUALITY PUMPS SINCE 1939"



2057 Nonautomatic with HT Float Switch



2282 Nonautomatic with HT Float Switch

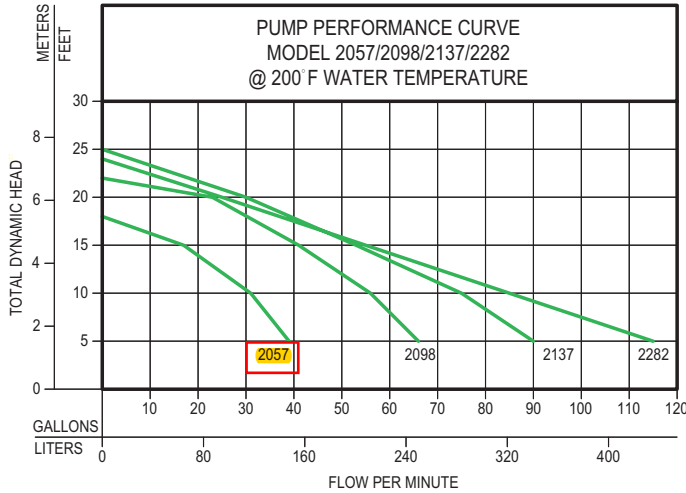
## AVAILABLE IN THE FOLLOWING MODELS

Model	Mode**	HP	Discharge	Solid	Volts	Ph	Material	Amps	Model	Mode**	HP	Discharge	Solid	Volts	Ph	Material	Amps
BN2057	Auto	.3	1½"	½"	115V	1	Cast Iron	9.7	BN2137	Auto	½	1½"	5/8"	115V	1	Cast Iron	10.7
BE2057	Auto	.3	1½"	½"	230V	1	Cast Iron	4.8	BE2137	Auto	½	1½"	5/8"	230V	1	Cast Iron	5.8
BN2098	Auto	½	1½"	½"	115V	1	Cast Iron	9.4	BN2282	Auto	½	2" (3")*	2"	115V	1	Cast Iron	10.3
BE2098	Auto	½	1½"	½"	230V	1	Cast Iron	4.7	BE2282	Auto	½	2" (3")*	2"	230V	1	Cast Iron	5.0

\* Specify 2" or 3" discharge size (i.e. M2282 with 3" discharge).

\*\* All pumps are nonautomatic with a high temperature piggyback float switch.

## PERFORMANCE DATA

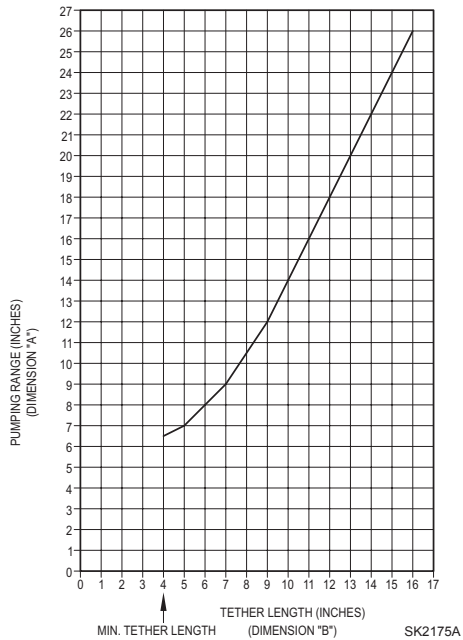


### TOTAL DYNAMIC HEAD/FLOW PER MINUTE EFFLUENT AND DEWATERING

MODEL	2057		2098		2137		2282		
	Feet	Meters	Gal.	Liters	Gal.	Liters	Gal.	Liters	
5	1.5	39	148	66	250	90	341	115	435
10	3.0	31	117	56	212	75	284	85	322
15	4.6	17	64	41	155	53	201	55	208
20	6.1	--	--	23	87	30	114	25	95
Shut-off Head:	18 ft.(5.5m)		22 ft.(6.7m)		25 ft.(7.6m)		24 ft.(7.3m)		

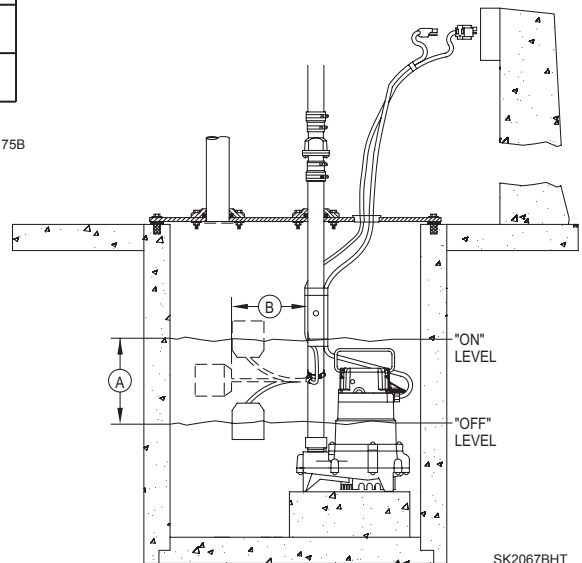
014036

## SWITCH DATA



Tether "B"	Range "A"
4	6.5
6	8
8	10.5
10	14
12	18
14	22
16	26

SK2175B



- 16 gauge 2 conductor SOOW switch cordage.
- Float housing constructed of high impact ABS.
- 13 AMPS (max) steady state.
- Intermittent direct contact with up to 200°F water.
- Turbulence resistant float switch.
- Adjustable pumping range (see chart).
- Unlimited repetitive exposures are permissible for applications below 180°F.