

Product information presented here reflects conditions at time of publication. Consult factory regarding discrepancies or inconsistencies.



PUMP COMPANY

Zoeller Family of Water Solutions™

TECHNICAL DATA SHEET SEWAGE WASTE SERIES

Models ~~611, 621, 631, 641, 651,~~ 661 Submersible Sewage Pumps

PRODUCT SPECIFICATIONS

MOTOR	Horse Power	1 (611), 1-1/2 (621), 2 (631), 3 (641), 5 (651), 7-1/2 (661)	
	Voltage	230, 200 - 575 460 VOLTS	
	Phase	1 3 Ph	
	Hertz	60 Hz	
	RPM	1750	
	Type	Capacitor start capacitor run or 3 Ph	
	Insulation	Class F	
	Amps	1.7 - 28.0	
	PUMP	Operation	Nonautomatic
		Discharge Size	3" NPT (optional 3" or 4" flange available)
Solids Handling		2-1/2" (63 mm) spherical solids	
Cord Length		25' (8 m) standard	
Cord Type		UL listed 3-wire cord	
Max. Head		65' (19.8 m)	
Max. Flow Rate		600 GPM (2271 LPM)	
Max. Operating Temp.		104° F (40° C)	
Cooling	Oil filled		
Motor Protection	Thermal sensors with automatic reset		

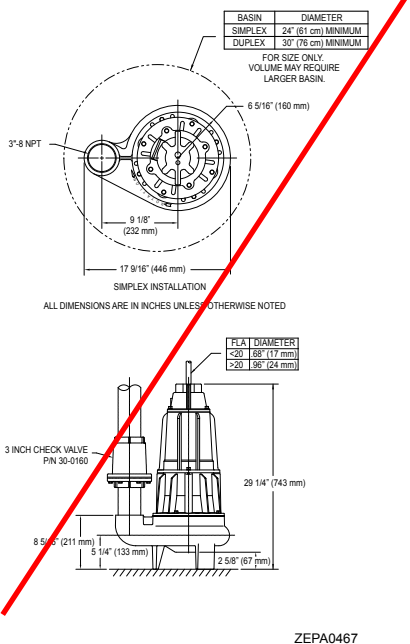
MATERIALS	Upper Bearing	Ball bearing
	Lower Bearing	Ball bearing
	Mechanical Seals	Tandem carbon and ceramic
	Impeller Type	Semi-open
	Impeller	Ductile iron
	Hardware	Stainless steel
	Motor Shaft	Stainless steel
	Gasket	Buna-N square ring seals

All Class 30 cast iron construction.

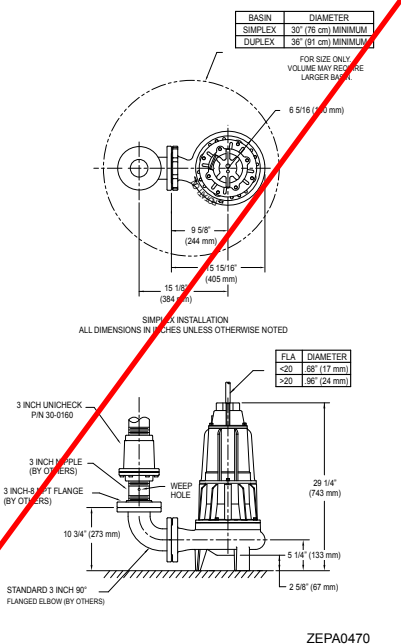
NOTE: See model comparison chart for specific details.



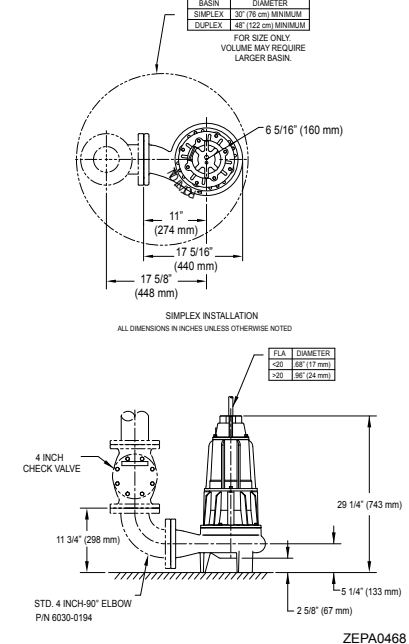
~~3" VERTICAL DISCHARGE~~



~~3" FLANGED DISCHARGE~~



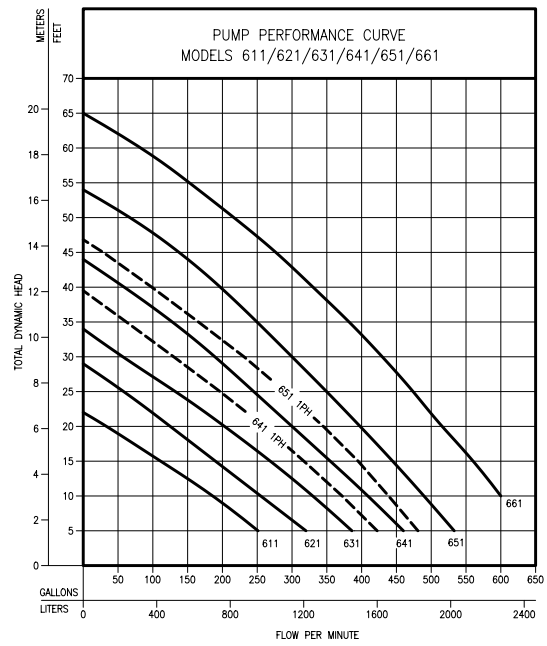
4" HORIZONTAL DISCHARGE



TOTAL DYNAMIC HEAD FLOW PER MINUTE

MODEL		611		621		631		641 (1PH)	
Feet	Meters	Gal.	Liters	Gal.	Liters	Gal.	Liters	Gal.	Liters
5	1.5	250	946	320	1211	390	1476	420	1590
10	3.0	185	700	255	965	335	1268	370	1401
15	4.6	110	416	190	719	272	1030	319	1208
20	6.1	35	132	125	473	200	757	260	984
25	7.6	---	---	60	227	130	492	198	750
30	9.1	---	---	---	---	55	208	130	492
35	10.7	---	---	---	---	---	---	62	235
40	12.2	---	---	---	---	---	---	---	---
45	13.7	---	---	---	---	---	---	---	---
50	15.2	---	---	---	---	---	---	---	---
55	16.7	---	---	---	---	---	---	---	---
60	18.2	---	---	---	---	---	---	---	---
Shut-off Head:		22 ft.(6.7m)		29 ft.(8.8m)		34 ft.(10.4m)		39.5 ft.(12.0m)	

MODEL		641		651 (1PH)		651		661	
Feet	Meters	Gal.	Liters	Gal.	Liters	Gal.	Liters	Gal.	Liters
5	1.5	460	1741	475	1798	533	2018	600	2271
10	3.0	410	1552	440	1666	490	1855	560	2119
15	4.6	355	1344	395	1495	445	1685	500	1900
20	6.1	300	1136	345	1306	398	1507	450	1700
25	7.6	245	927	290	1098	350	1325	400	1500
30	9.1	190	719	232	878	300	1136	350	1325
35	10.7	130	492	165	625	250	946	300	1136
40	12.2	60	227	95	360	198	738	250	946
45	13.7	---	---	25	95	140	530	200	750
50	15.2	---	---	---	---	70	265	150	568
55	16.7	---	---	---	---	---	---	85	303
60	18.2	---	---	---	---	---	---	---	---
Shut-off Head:		44 ft.(13.4m)		46.5 ft.(14.2m)		54 ft.(16.5m)		65 ft.(19.8m)	



Model	MODEL COMPARISON									
	Seal	Mode	Volts	Ph	Amps	HP	Hz	Lbs	Kg	
*E611	Double	Non	230	1	6.9	1	60	245	111	
J611	Double	Non	200	3	4.8	1	60	245	111	
F611	Double	Non	230	3	4.2	1	60	245	111	
G611	Double	Non	460	3	2.1	1	60	245	111	
BA611	Double	Non	575	3	1.7	1	60	245	111	
*E621	Double	Non	230	1	8.9	1-1/2	60	245	111	
J621	Double	Non	200	3	5.9	1-1/2	60	245	111	
F621	Double	Non	230	3	5.1	1-1/2	60	245	111	
G621	Double	Non	460	3	2.6	1-1/2	60	245	111	
BA621	Double	Non	575	3	2.0	1-1/2	60	245	111	
*E631	Double	Non	230	1	14.5	2	60	245	111	
J631	Double	Non	200	3	7.8	2	60	245	111	
F631	Double	Non	230	3	6.8	2	60	245	111	
G631	Double	Non	460	3	3.4	2	60	245	111	
BA631	Double	Non	575	3	2.7	2	60	245	111	
*E641	Double	Non	230	1	17.0	3	60	245	111	
J641	Double	Non	200	3	11.0	3	60	245	111	
F641	Double	Non	230	3	9.6	3	60	245	111	
G641	Double	Non	460	3	4.8	3	60	245	111	
BA641	Double	Non	575	3	3.9	3	60	245	111	
*E651	Double	Non	230	1	28.0	5	60	245	111	
J651	Double	Non	200	3	17.5	5	60	245	111	
F651	Double	Non	230	3	15.2	5	60	245	111	
G651	Double	Non	460	3	7.6	5	60	245	111	
BA651	Double	Non	575	3	6.1	5	60	245	111	
J661	Double	Non	200	3	25.3	7-1/2	60	245	111	
F661	Double	Non	230	3	22.0	7-1/2	60	245	111	
G661	Double	Non	460	3	11.0	7-1/2	60	245	111	
BA661	Double	Non	575	3	9.0	7-1/2	60	245	111	

* All single phase units require external starting capacitor and relay circuits. Additional cord lengths are available in 35' (11 m) and 50' (15 m).

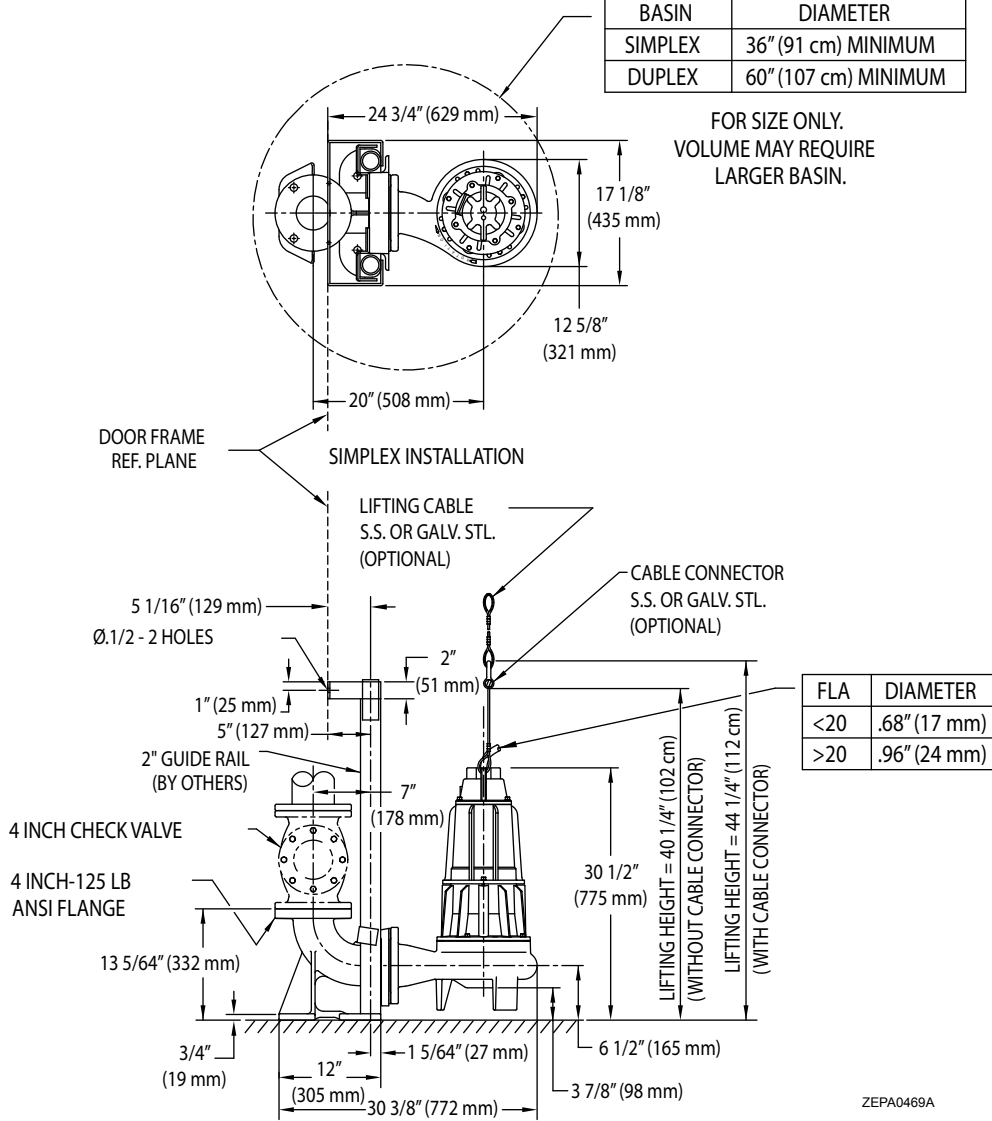
CAUTION All installation of controls, protection devices and wiring should be done by a qualified licensed electrician. All electrical and safety codes should be followed including the most recent National Electrical Code (NEC) and the Occupational Safety and Health Act (OSHA).

RAIL SYSTEM DIMENSIONAL DATA

4" HORIZONTAL 39-0016

BASIN	DIAMETER
SIMPLEX	36" (91 cm) MINIMUM
DUPLEX	60" (107 cm) MINIMUM

FOR SIZE ONLY.
VOLUME MAY REQUIRE
LARGER BASIN.



ZEPA0469A