

Product information presented here reflects conditions at time of publication. Consult factory regarding discrepancies or inconsistencies.

# HOME GUARD<sup>®</sup> MAX



SECTION: 2.60.064

FM1283

1108/2

Supersedes

1108

visit our web site:  
[www.zoeller.com](http://www.zoeller.com)

"QUALITY PUMPS SINCE 1939"



**Manufactured by Zoeller Pump Company**

MAIL TO: P.O. BOX 16347 • Louisville, KY 40256-0347

SHIP TO: 3649 Cane Run Road • Louisville, KY 40211-1961

(502) 778-2731 • 1 (800) 928-PUMP • FAX (502) 774-3624

---

## Water Powered Emergency Backup Sump Pump System

---

### MODEL 503

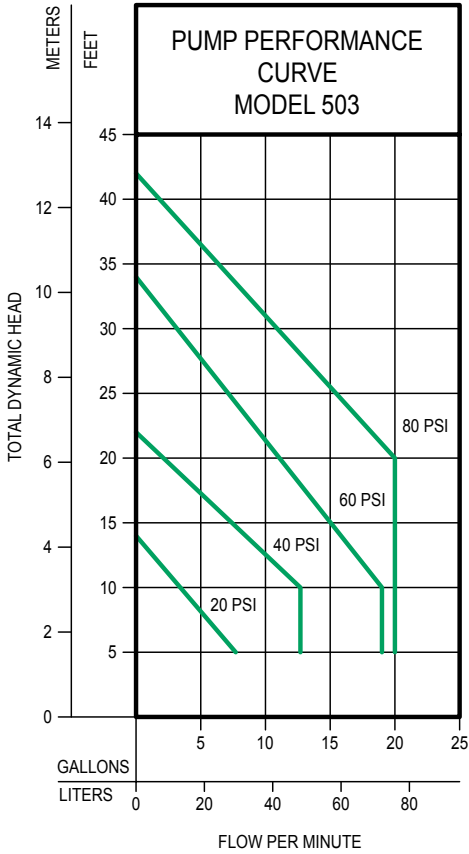
Zoeller's Home Guard Max is a high capacity, high efficiency water powered back-up system. With no electricity or batteries required, the Home Guard Max takes over seamlessly when your primary sump system fails. The Home Guard Max comes fully assembled for fast, easy and trouble-free installations and its small footprint allows for installation in even the smallest sump pits. With superior performance and discharge capacity, it uses less water and costs less to operate. The Home Guard Max, installed as a back-up system, does not use any water until the primary system malfunctions or in the case of power failure. Water flow is equivalent to a normal faucet and is required only when the Home Guard max is operating. Not intended for use as a primary water removal unit.

### COMPARE THESE FEATURES

- No electricity required.
- Works during power failures.
- No battery to charge.
- On guard 24 hours a day.
- Helps eliminate flooding in basements.
- Ideal standby to an electric sump pump.
- Can be used with any existing brand of sump pump.
- Comes 100% pre-assembled.
- Small footprint.
- Efficient water usage.
- High capacity, high head.
- Municipal/city water pressure power system.
- Includes push-to-connect supply fitting (field installed).
- Engineered for trouble-free operation.
- Noncorrosive materials.
- Removes up to 2 gallons per gallon used.
- Performs at 80 PSI.
- Corrosion resistant stainless steel float rod for maximum dependability.



**TOTAL DYNAMIC HEAD/FLOW  
PER MINUTE  
DEWATERING ONLY**



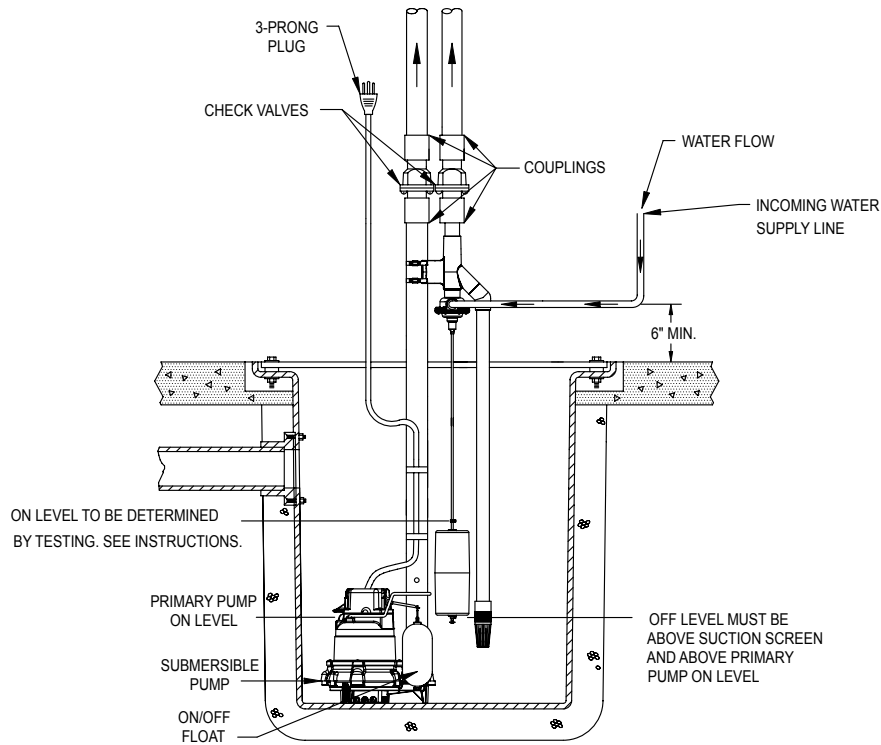
MODEL		503							
		20 PSI		40 PSI		60 PSI		80 PSI	
Feet	Meters	Gal.	Liters	Gal.	Liters	Gal.	Liters	Gal.	Liters
5	1.5	7.7	29.1	12.7	48.1	19.0	72.0	20.0	75.7
10	3.0	3.4	12.9	12.7	48.1	19.0	72.0	20.0	75.7
15	4.6	-	-	7.4	28.0	15.0	56.8	20.0	75.7
20	6.1	-	-	2.0	7.6	11.1	42.0	20.0	75.7
25	7.6	-	-	-	-	7.1	26.9	15.3	57.9
30	9.1	-	-	-	-	3.2	12.1	10.9	41.3
35	10.7	-	-	-	-	-	-	6.4	24.2
40	12.2	-	-	-	-	-	-	1.8	6.8
Shut-off Head:		14.0 ft. (4.3m)		22.0 ft. (6.7m)		34.0 ft. (10.4m)		42.0 ft. (12.8m)	

018586

Pump capacity varies due to: Inlet Water Pressure, Working Water Pressure, Discharge Elevation, Number of Pipe Fittings, Inlet and Outlet Pipe Size, Fluid Viscosity, Degree of Water Clarity, Water Temperature. The flow rates in the chart are approximate values.

NOTE: Some districts may require a reduced pressure principle backflow preventer per ASSE Standards 1013. Check Local Codes.

**Typical Installation with Submersible Pump and Separate Discharge Pipe**



SK2721B



**Manufactured by Zoeller Pump Company**

MAIL TO: P.O. BOX 16347 • Louisville, KY 40256-0347  
SHIP TO: 3649 Cane Run Road • Louisville, KY 40211-1961  
(502) 778-2731 • 1 (800) 928-PUMP • FAX (502) 774-3624