

"QUALITY PUMPS SINCE 1939"

Product information presented here reflects conditions at time of publication. Consult factory regarding discrepancies or inconsistencies.

**ZOELLER**  
PUMP CO.



SECTION: 2.20.007

FM2419

0207

Supersedes

0107/2

MAIL TO: P.O. BOX 16347 • Louisville, KY 40256-0347  
SHIP TO: 3649 Cane Run Road • Louisville, KY 40211-1961  
(502) 778-2731 • 1 (800) 928-PUMP • FAX (502) 774-3624

visit our web site:  
[www.zoeller.com](http://www.zoeller.com)

## COMPARE THESE FEATURES

### MOTOR:

115 Volts, single phase, 60 Hz, 1/4 HP, 3.8 amps, 3450 RPM, oil-filled, hermetically sealed, automatic reset thermal overload protected.

### MOTOR HOUSING:

Rugged cast iron motor housing with corrosion resistant baked-on enamel finish.

Efficient heat sink for heat dissipation.

### BASE/PUMP HOUSING:

Glass-filled polypropylene with no screen.

Passes 3/8" spherical solids.

### IMPELLER:

Non-Clog vortex impeller, engineered glass-filled thermoplastic with metal insert.

### POWER CORD:

UL Listed 9 ft., 3-wire cord and plug.

### SWITCH:

Reliable tethered float switch.

### SEALS:

Carbon & ceramic rotary seal.

Watertight neoprene seal between motor and cover.

### FASTENERS:

Stainless steel screws and hardware.

### TEMPERATURE RATING:

104°F (40°C).

### CYCLE:

On point: 11-1/4" • Off Point - 4-1/8"

### DIMENSIONS:

Maximum width: 8-3/32" • Height: 10-1/2"

Weight: 11.0 lbs • Fits 12" Diameter Pits.

100% Factory Tested After Assembly

**ZOELLER**  
PUMP CO.



Manufacturers of . . .

"QUALITY PUMPS SINCE 1939"

## 49 Cast Iron Series

# Water Ridd'r III

## SUBMERSIBLE PUMP

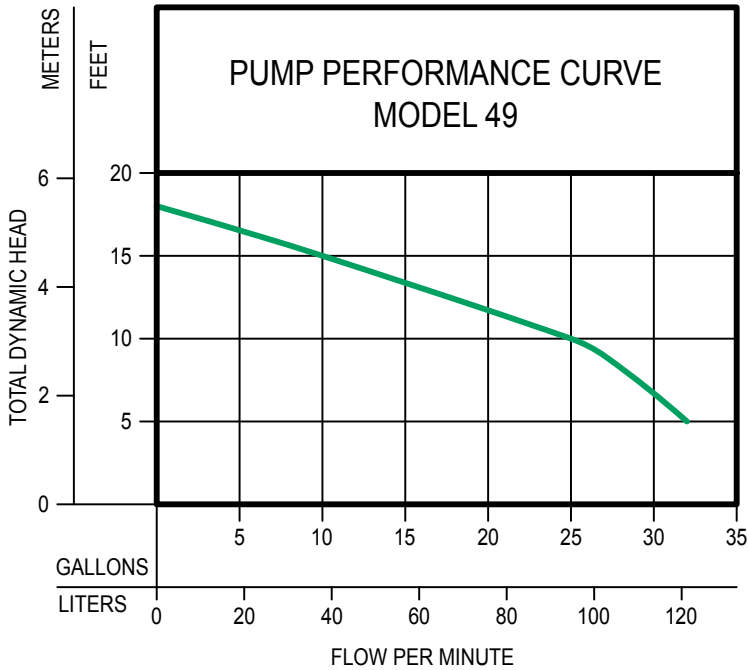
DEWATERING (SUMP)

PASSES 3/8" SPHERICAL SOLIDS

1/2" NPT Discharge



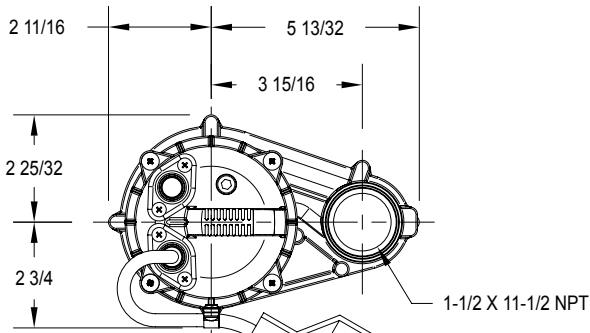
Available Model:  
Automatic only



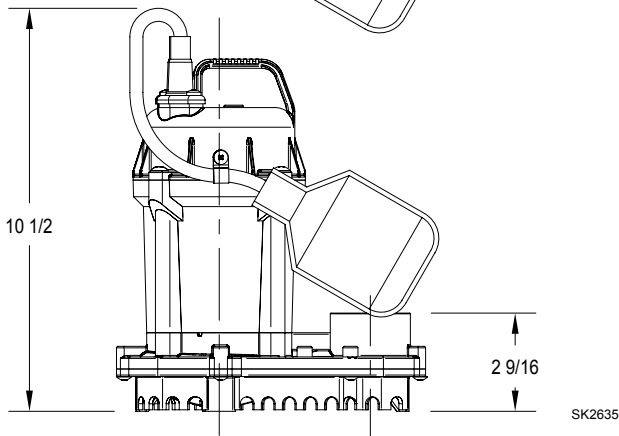
**TOTAL DYNAMIC HEAD/FLOW  
PER MINUTE  
DEWATERING ONLY**

MODEL		49	
Feet	Meters	Gal.	Liters
5	1.5	32	121
10	3.0	25	95
15	4.6	10	38
Shut-off Head:		18 ft. (5.5m)	

018141



For information on additional Zoeller products refer to catalog on Sump/Sewage Basins, FM0487; Alarm Systems, FM0732; and Disconnect/Rail Systems, FM0787.



**⚠ CAUTION**

All installation of controls, protection devices and wiring should be done by a qualified licensed electrician. All electrical and safety codes should be followed including the most recent National Electrical Code (NEC) and the Occupational Safety and Health Act (OSHA).

**RESERVE POWERED DESIGN**

For unusual conditions a reserve safety factor is engineered into the design of every Zoeller pump.



www.zoeller.com



MAIL TO: P.O. BOX 16347  
Louisville, KY 40256-0347  
SHIP TO: 3649 Cane Run Road  
Louisville, KY 40211-1961  
(502) 778-2731 • 1 (800) 928-PUMP  
FAX (502) 774-3624

Manufacturers of..

*"QUALITY PUMPS SINCE 1939"*