



Product information presented here reflects conditions at time of publication. Consult factory regarding discrepancies or inconsistencies.

MAIL TO: P.O. BOX 16347 • Louisville, KY 40256-0347  
SHIP TO: 3649 Cane Run Road • Louisville, KY 40211-1961  
(502) 778-2731 • 1 (800) 928-PUMP • FAX (502) 774-3624

visit our web site:  
[www.zoeller.com](http://www.zoeller.com)

**COMPARE THESE FEATURES**

- Non-clogging vortex impeller design. Bronze class 84-8-0-4
- Durable cast construction. Cast iron switch case, base, motor and pump housing. No sheet metal parts to rust or corrode. All cast iron class 25-30 25000# tensile strength
- Stainless steel screws, bolts, float rod, handle, guard, arm and seal assembly
- 20 ft. UL Listed 3-wire neoprene cord and plug. Extra cord lengths available in 25-35-50 foot lengths only.
- 3 phase models available (292, 115V/1Ph only)
- Motor - 60 Hz, 3450 RPM, oil-filled, hermetically sealed, automatic reset, thermal overload protected (1 Ph only)
- Maximum temperature for sewage or dewatering 130°F (54°C), 120°F (49°C) for WD295. If over 130°F, consult Factory.
- Shaft Seal - Stainless steel carbon & ceramic rotary
- Corrosion resistant powder coated epoxy finish
- Upper & lower ball bearings running in bath of oil
- Square Ring & Gasket - Neoprene
- All models pass 2" spherical solids.
- Major width 12 7/8" • Height 19 5/16" (Single seal pumps)
- Automatic units available with float operated, submersible (NEMA 6) 2-pole mechanical switch. On point 14 3/4" - Off point 5"
- Specify 2" or 3" NPT female flanged vertical discharge.
- 100% computerized testing

**MODELS 4292-4293-4294-4295 DOUBLE SEAL PUMPS (Nonauto only)**

- Gives motor extra protection from seal leaks
- Improved bearing lubrication
- Helps eliminate seal and bearing damage from dry runs
- Major width 12 7/8" Height 21 3/16"

**Note:** The sizing of effluent systems normally requires variable level float(s) controls and properly sized basins to achieve required pumping cycles or dosing timers with nonautomatic pumps.

**292 - 293 - 294 - 295 Single Seal Series**  
**4292 - 4293 - 4294 - 4295 Double Seal Series**  
(For Pump Prefix Identification see News & Views 0052)

**HIGH HEAD**  
**"WASTE-MATE"**  
SUBMERSIBLE  
**SEWAGE**  
OR DEWATERING PUMP

**QUALITY MADE**  
America's  
Pump Co.  
U.S. CRAFTSMEN

**SSPMA**  
Certified  
50  
YEARS

**POWDER COATED TOUGH™**

Nonautomatic models for variable level systems

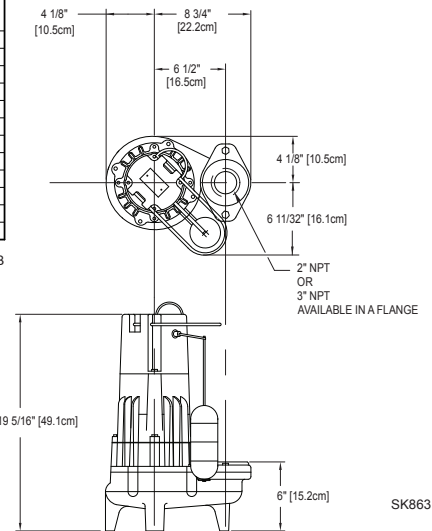
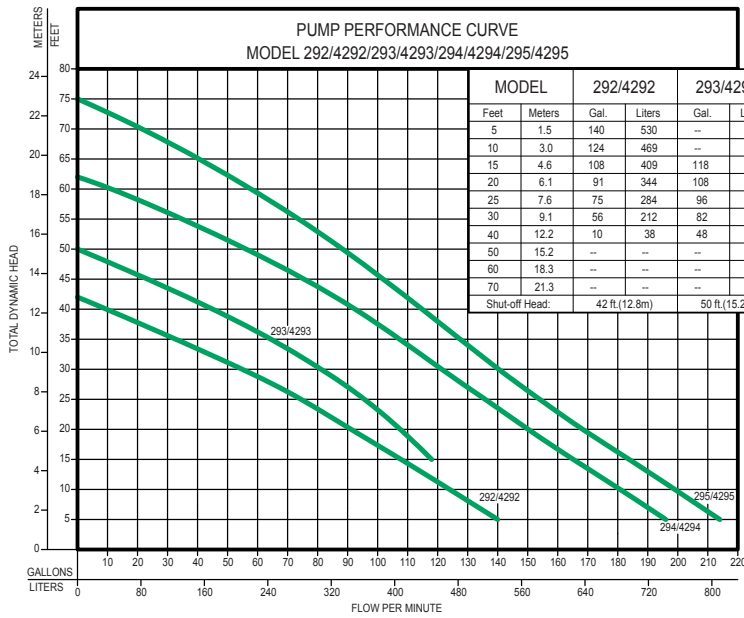
Double Seal Pump

Automatic units available in single phase 292, 293, 294 & 295 series

WD295 controlled by variable level float switch

\*See back page for UL & CSA listings

**Single Seal Auto Design Weight 86-89 lbs.**



**CAUTION**  
Model 293 should not be subjected to less than 15' TDH.

| 292 MODELS  | 4292 MODELS | Standard all models - 20 ft. cord - 1/2 HP |      |      |         | Control Selection |                    | Listings           |  |
|-------------|-------------|--------------------------------------------|------|------|---------|-------------------|--------------------|--------------------|--|
| Single Seal | Double Seal | Volts - Ph                                 | Mode | Amps | Simplex | Duplex            | cCSA <sub>US</sub> | UL                 |  |
| M292        | ---         | 115                                        | 1    | Auto | 15.0    | 1                 | ---                | Y Y                |  |
| N292        | N4292       | 115                                        | 1    | Non  | 15.0    | 2 or 3            | 2 or 4             | Y Y <sup>(1)</sup> |  |
| * BA292     | * BA4292    | 575                                        | 3    | Non  | 2.4     | 3                 | 4                  | Y N                |  |

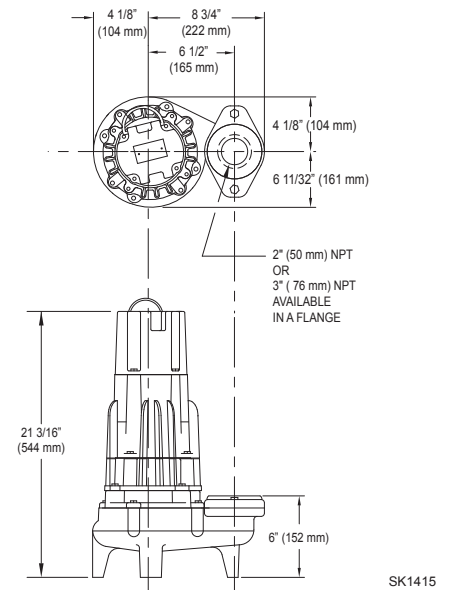
| 293 MODELS  | 4293 MODELS | Standard all models - 20 ft. cord - 1 HP |      |      |         | Control Selection |                    | Listings |  |
|-------------|-------------|------------------------------------------|------|------|---------|-------------------|--------------------|----------|--|
| Single Seal | Double Seal | Volts - Ph                               | Mode | Amps | Simplex | Duplex            | cCSA <sub>US</sub> | UL       |  |
| D293        | ---         | 230                                      | 1    | Auto | 10.2    | 1                 | ---                | Y Y      |  |
| E293        | E4293       | 230                                      | 1    | Non  | 10.2    | 2 or 3            | 4                  | Y Y      |  |
| * H293      | ---         | 200                                      | 1    | Auto | 12.0    | 1                 | ---                | Y N      |  |
| * I 293     | * I 4293    | 200                                      | 1    | Non  | 12.0    | 2 or 3            | 4                  | Y N      |  |
| * F293      | * F4293     | 230                                      | 3    | Non  | 7.6     | 3                 | 4                  | Y Y      |  |
| * J293      | * J4293     | 200                                      | 3    | Non  | 8.2     | 3                 | 4                  | Y Y      |  |
| * G293      | * G4293     | 460                                      | 3    | Non  | 4.0     | 3                 | 4                  | Y Y      |  |
| * BA293     | ---         | 575                                      | 3    | Non  | 3.3     | 3                 | 4                  | Y N      |  |

| 294 MODELS  | 4294 MODELS | Standard all models - 20 ft. cord - 1 1/2 HP |      |      |         | Control Selection |                    | Listings           |  |
|-------------|-------------|----------------------------------------------|------|------|---------|-------------------|--------------------|--------------------|--|
| Single Seal | Double Seal | Volts - Ph                                   | Mode | Amps | Simplex | Duplex            | cCSA <sub>US</sub> | UL                 |  |
| D294        | ---         | 230                                          | 1    | Auto | 13.7    | 1                 | ---                | Y Y <sup>(1)</sup> |  |
| E294        | E4294       | 230                                          | 1    | Non  | 13.7    | 2 or 3            | 4                  | Y Y <sup>(1)</sup> |  |
| * H294      | ---         | 200                                          | 1    | Auto | 17.8    | 1                 | ---                | Y N                |  |
| * I 294     | * I 4294    | 200                                          | 1    | Non  | 17.8    | 2 or 3            | 4                  | Y N                |  |
| * F294      | * F4294     | 230                                          | 3    | Non  | 9.5     | 3                 | 4                  | Y Y                |  |
| * J294      | * J4294     | 200                                          | 3    | Non  | 10.8    | 3                 | 4                  | Y Y                |  |
| * G294      | * G4294     | 460                                          | 3    | Non  | 4.8     | 3                 | 4                  | Y Y                |  |
| * BA294     | ---         | 575                                          | 3    | Non  | 3.8     | 3                 | 4                  | Y N                |  |

| 295 MODELS  | 4295 MODELS | Standard all models - 20 ft. cord - 2 HP |      |      |         | Control Selection |                    | Listings           |  |
|-------------|-------------|------------------------------------------|------|------|---------|-------------------|--------------------|--------------------|--|
| Single Seal | Double Seal | Volts - Ph                               | Mode | Amps | Simplex | Duplex            | cCSA <sub>US</sub> | UL                 |  |
| D295        | ---         | 230                                      | 1    | Auto | 17.1    | 1                 | ---                | Y Y                |  |
| E295        | E4295       | 230                                      | 1    | Non  | 17.1    | 2 or 3            | 4                  | Y <sup>(2)</sup> Y |  |
| WD295       | ---         | 230                                      | 1    | Auto | 17.1    | **                | 4                  | Y N                |  |
| * H295      | ---         | 200                                      | 1    | Auto | 20.5    | 1                 | ---                | Y N                |  |
| * I 295     | * I 4295    | 200                                      | 1    | Non  | 20.5    | 2 or 3            | 4                  | Y N                |  |
| * F295      | * F4295     | 230                                      | 3    | Non  | 12.2    | 3                 | 4                  | Y Y                |  |
| * J295      | * J4295     | 200                                      | 3    | Non  | 14.3    | 3                 | 4                  | Y Y                |  |
| * G295      | * G4295     | 460                                      | 3    | Non  | 6.1     | 3                 | 4                  | Y Y                |  |
| * BA295     | ---         | 575                                      | 3    | Non  | 4.9     | 3                 | 4                  | Y N                |  |

\* No Molded Plug.  
\*\* Single piggyback switch included.  
(1) UL Listed unit available with 20 Amp plug.  
(2) CSA Approval with 20 Amp plug.

**Double Seal Design / Weight 92-95 lbs.**



**SELECTION GUIDE**

1. Integral float operated mechanical switch, no external control required.
2. For automatic use single piggyback variable level float switch or double piggyback variable level float switch. Refer to FM0477.
3. See FM1228 for correct model of simplex control panel.
4. See FM0712 for correct model of duplex control panel.

**CAUTION**

All installation of controls, protection devices and wiring should be done by a qualified licensed electrician. All electrical and safety codes should be followed including the most recent National Electrical Code (NEC) and the Occupational Safety and Health Act (OSHA).

For information on additional Zoeller products refer to catalog on Explosion Proof Models, FM1702; Simplex controls, FM1596; Piggyback Variable Level Float Switches, FM0477; Electrical Alternator, FM0486; Mechanical Alternator, FM0495; Sump/Sewage Basins, FM0487; Alarm Systems, FM0732; Disconnect/Rail Systems, FM0787; and Junction Boxes FM1597.

**RESERVE POWERED DESIGN**

For unusual conditions a reserve safety factor is engineered into the design of every Zoeller pump.

© Copyright 2012 Zoeller Co. All rights reserved.