



# Westinghouse

## Stainless Steel Residential Electric Water Heater

**BUILT  
TO LAST  
LONGER**

**No Anode  
Rods Needed**

**Lightweight  
and Durable**



**INDUSTRY  
BEST  
LIFETIME  
WARRANTY  
(RESIDENTIAL)**

**40 & 52  
Gallon Tanks**



**Made in the USA**  
[www.westinghousewaterheating.com](http://www.westinghousewaterheating.com)



# Stainless Steel Electric Water Heater

## THERMOSTAT AND HIGH LIMIT CONTROLS:

Residential temp: min 110° F max 150° F

## HOT WATER CONNECTION:

Outlet connection on the top  
of the tank (with built in Heat Traps)

## THE FINEST PROTECTION:

Laser welded through a concentrated  
heat source producing high quality, long  
lasting, 316L stainless steel tank construc-  
tion (lightweight) - Superior corrosion  
resistance, eliminates the need for anode  
rods, protects against harsh water  
conditions for a lifetime of durability  
against leaks - Fantastic Limited Warranty

## MINIMAL HEAT LOSS:

Heavy-duty insulation

## STAINLESS STEEL & INCOLOY ELEMENTS:

Low watt operation; Stainless steel screw  
plugs; Increases corrosion resistance for  
extended, longer element life



## STANDARD FEATURES

- Stainless Steel Tank
- Heavy Duty Insulation
- Electrical Connection Box
- Limited LIFETIME Warranty  
for Residential Unit  
(10 year warranty if not registered online)

## IN THE BOX

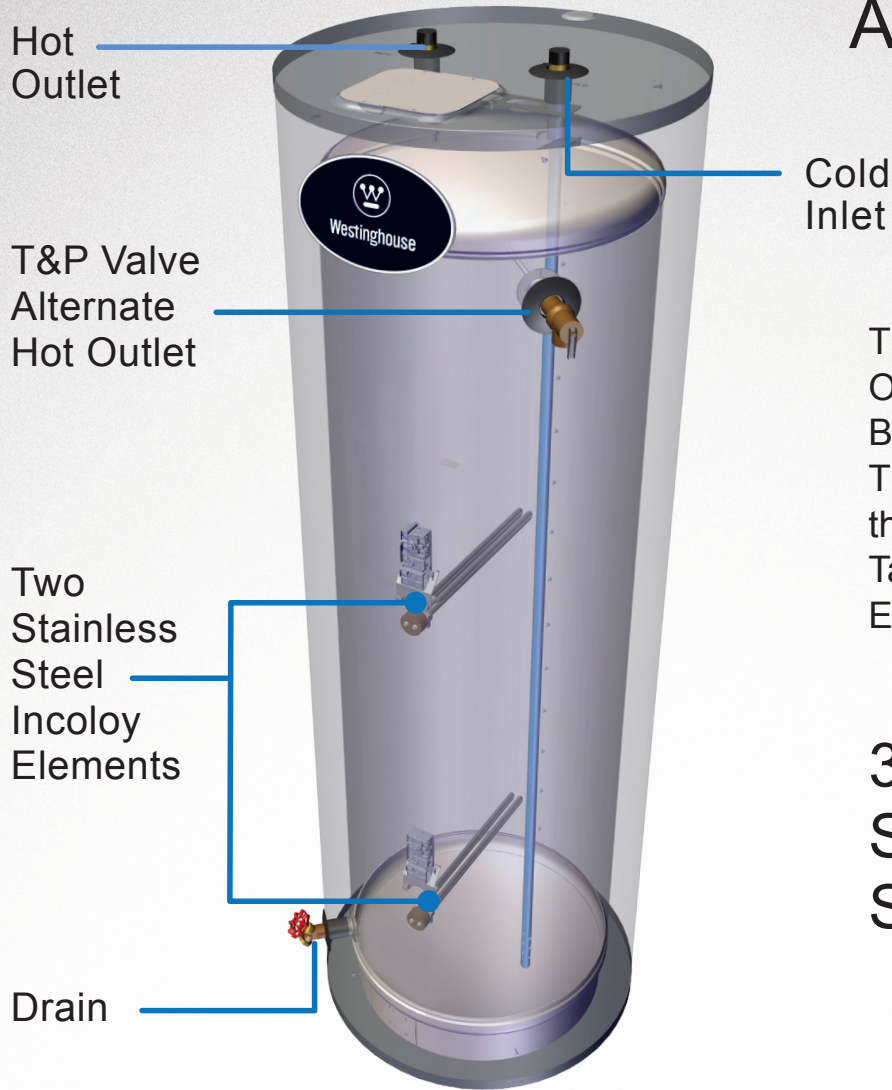
- T & P Relief Valve
- Installation Manual
- Brass Full Port Drain Valve

**NO ANODE  
RODS NEEDED**  
RESISTS  
SCALE BUILD UP  
LIGHT  
WEIGHT

## THE WESTINGHOUSE ELECTRIC: STAINLESS STEEL WATER HEATER

The Westinghouse Electric Water Heater combines high quality stainless steel construction and energy efficient operation, providing long draws of hot water without consuming large amounts of energy. A cleverly designed water connection directs cold water to the heating element near the bottom of the tank to minimize the mixing of cold and hot water. Durable components, low standby heat losses, high recovery rates, and the industry's strongest warranty make the Westinghouse Electric Water Heater an ideal choice for electric water heating needs.

# A Closer Look



The Inlet & Outlet have Built in Heat Traps, Keeping the Heat in the Tank for Greater Efficiency

## 316L Stainless Steel Tank

**Our Components are Made of Durable Materials:**

Inlet and Outlet Nipples Constructed of Durable Brass

Stainless Steel Incoloy Elements

316 L Stainless Steel Tank Construction

**Made with High Grade 316L Stainless Steel Materials**

### The Advantages

**Stainless Steel VS Glass-Lined**



Westinghouse's Stainless Steel Tank  
Lightweight

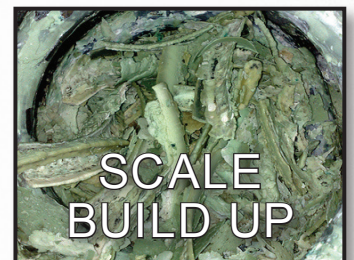


Top Competitor's Glass-lined Tank  
Very Heavy

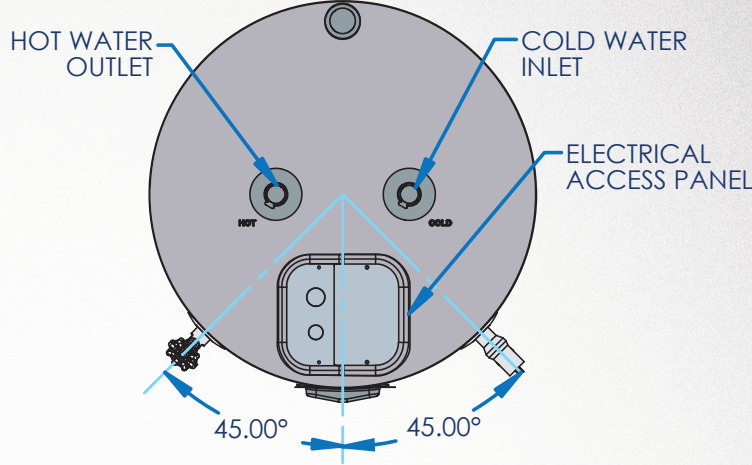
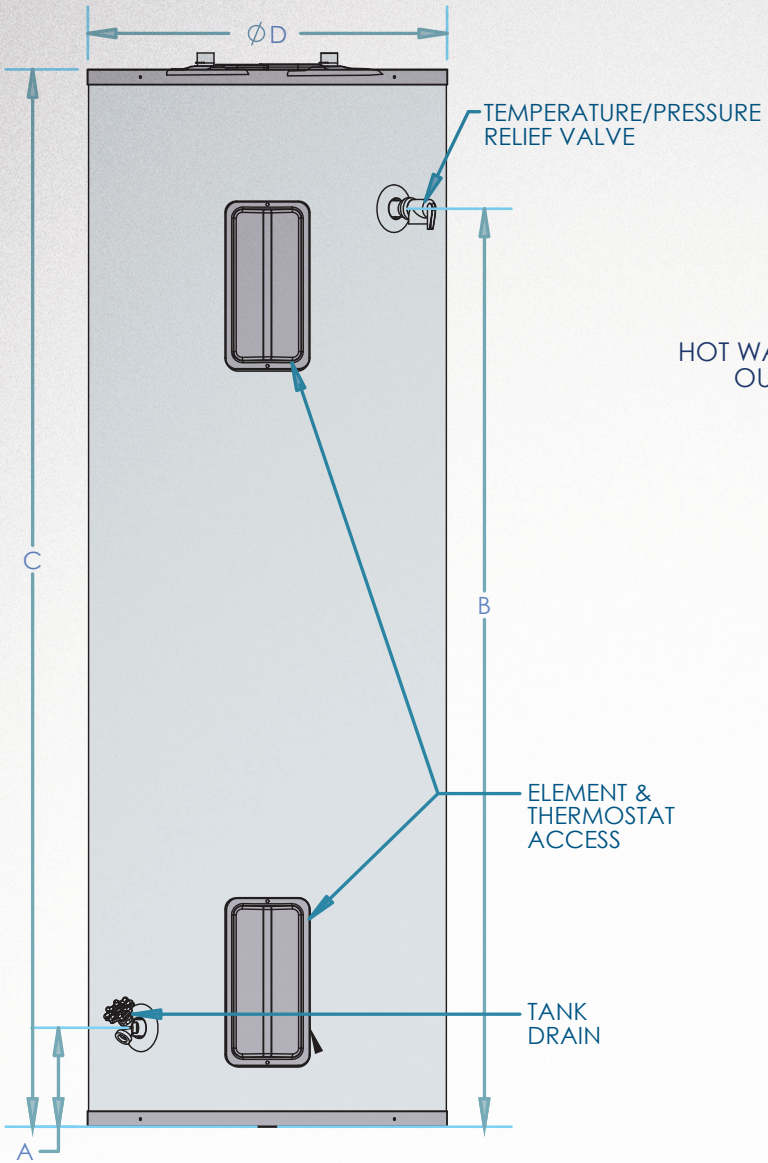
Minimizes Scale Build Up  
Prolongs Tank Life  
No Need for Anode Rods  
Lightweight Construction

**NO Anode Rods Needed!**

All coated tanks require anodes to delay the inevitable corrosion and tank failure. The average residential water heater lasts about 13 years. The Westinghouse stainless steel tanks will outlast any coated steel tank in the market.



# Dimensions & Specifications



The Inlet & Outlet have Built in Heat Traps, Keeping the Heat in the Tank for Greater Efficiency

Limited LIFETIME Warranty for Residential Unit (10 year warranty if not registered online)

SPECIFICATIONS AND DIMENSIONS						WATER TEMPERATURE RATINGS		
Models	Gal.	A	B	C	D	Minimum Delivered Temp.	Maximum Delivered Temp.	High Temp. Limit
WER040C2X045	40	5.75"	46"	54.25"	19.5"	<b>110°F</b> 43.3°C	<b>150°F</b> 65.5°C	<b>170°F</b> 76.6°C
WER040C2X055								
WER052C2X045	52	5.75"	58.25"	66.75"				
WER052C2X055								

Residential Models	Wattage	Voltage	Safety Listing	First Hour Rating	Recovery @ 90° F Rise	Energy Factor	Shipping Weight
WER040C2X045	4500	240	UL174	59 Gallons	20 Gallons	.95	104 lbs
WER040C2X055	5500			64 Gallons	25 Gallons		
WER052C2X045	4500	240		66 Gallons	20 Gallons	.94	118 lbs
WER052C2X055	5500			71 Gallons	25 Gallons		

Energy Factor based on D.O.E. (Department of Energy) test procedures. Heaters furnished with standard 240 volt AC, single phase non-simultaneous wiring.  
 ©, WESTINGHOUSE are trademarks of Westinghouse Electric Corporation. Used under license by HTP, Inc. All Rights Reserved. 07/2015 • MKTLIT-74