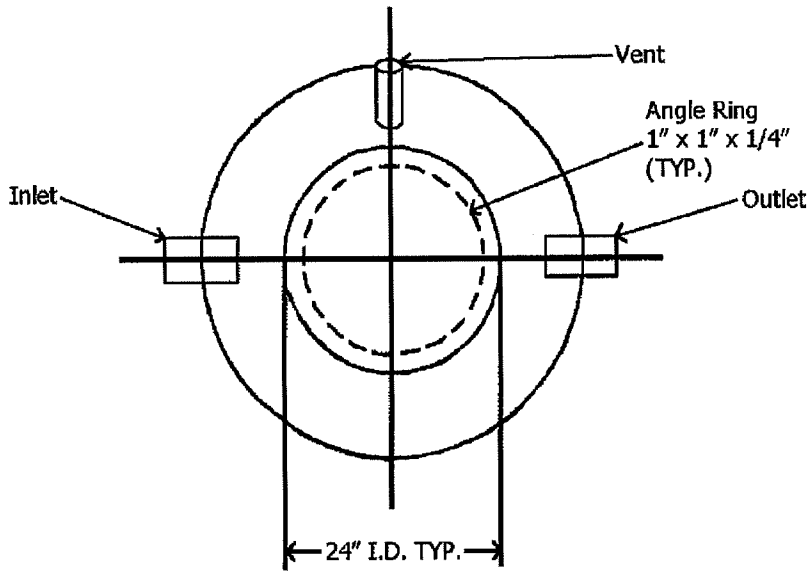
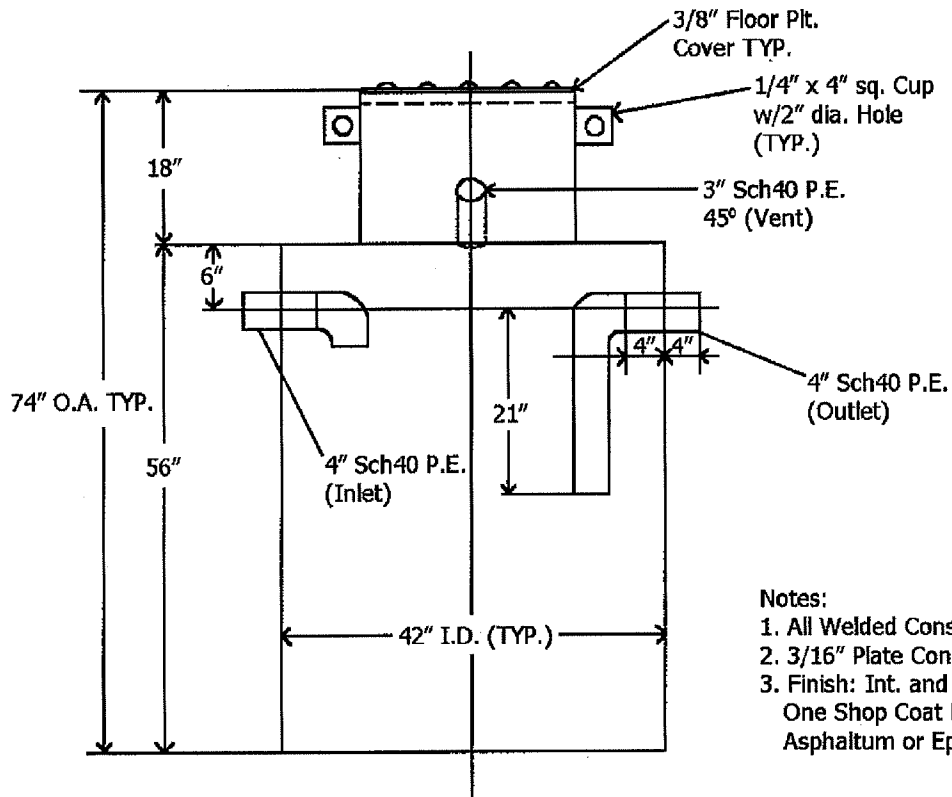


### 35 cu. ft Inflammable Waste Trap



Orientation



- Notes:
- 1. All Welded Construction
  - 2. 3/16" Plate Construction
  - 3. Finish: Int. and Ext. One Shop Coat Black Asphaltum or Epoxy

Elevation