

WarmRain Specification for model:

WR 612 (right hand plumbing) and WR 613 (left hand plumbing)
The Melissa



Warm Rain Melissa model WR 612 (right hand plumbing) and WR 613 (left hand plumbing) soaking tubs are constructed of reinforced polyester resin covered with a high gloss gel-coat of 18 - 20 mil. thickness. The reinforced fiberglass has a minimum content of 18 % fiberglass.

The bottom base of the unit is constructed of 1/2" end-grained balsa wood sandwiched between 2 layers of reinforced fiberglass. The base is an integral part of the unit.

The inside bottom floor will be textured. The texture bottom floor meets and exceeds ASTM Safety Specification F-462.

The unit will measure 60" x 36" x 19.25" and has an 18" front outside apron height. The inside dam will measure 16.75" and the overflow will be 15" above the floor.

The inside sump area will measure 55" x 25.5" at the top of the well and 43" x 21" at the bottom of the well.

The Melissa is available with the Above Floor rough-in. Please see Measurement sheet WR 612-3 AFR for more specific measurements.

These Warm Rain soaking tubs arrive on site fully tested, inspected, and certified to meet or exceed the precise standards established by FHA/HUD, materials bulletin 73, American National Standards Z-124.1 and Z-124.2, ASTM/E-84 and is certified by the Home Innovation Research Labs, formerly known as the National Association of Home Builders NAHB.

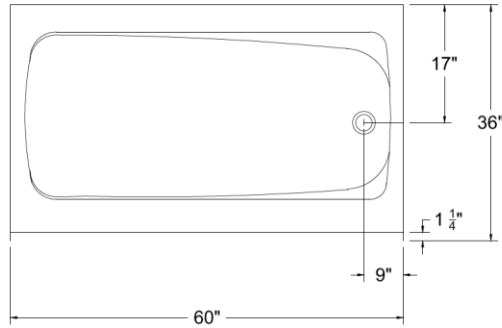


Warm Rain Corporation, P.O. Box 600, Hancock, MI 49930

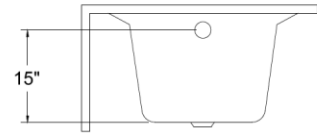
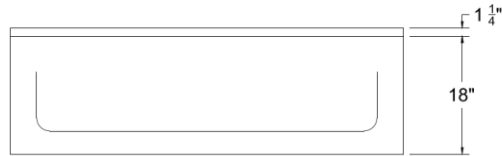
Voice: 906-482-3750 Fax: 906-482-2585 email: tedk@warmrain.com website: www.warmrain.com

WarmRain Specification for model:

WR 612 (right hand plumbing) and WR 613 (left hand plumbing)
The Melissa



WR 612-3



7-14-16



Warm Rain Corporation, P.O. Box 600, Hancock, MI 49930

Voice: 906-482-3750 Fax: 906-482-2585 email: tedk@warmrain.com website: www.warmrain.com