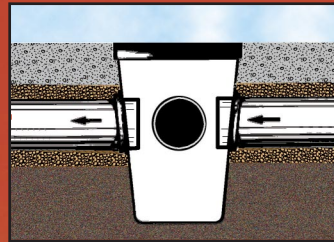




TUF-TITE®

Drain Sumps

NOTE!!!: NPS Drains *DO NOT*** come with pre-drilled holes or with fittings!!!**

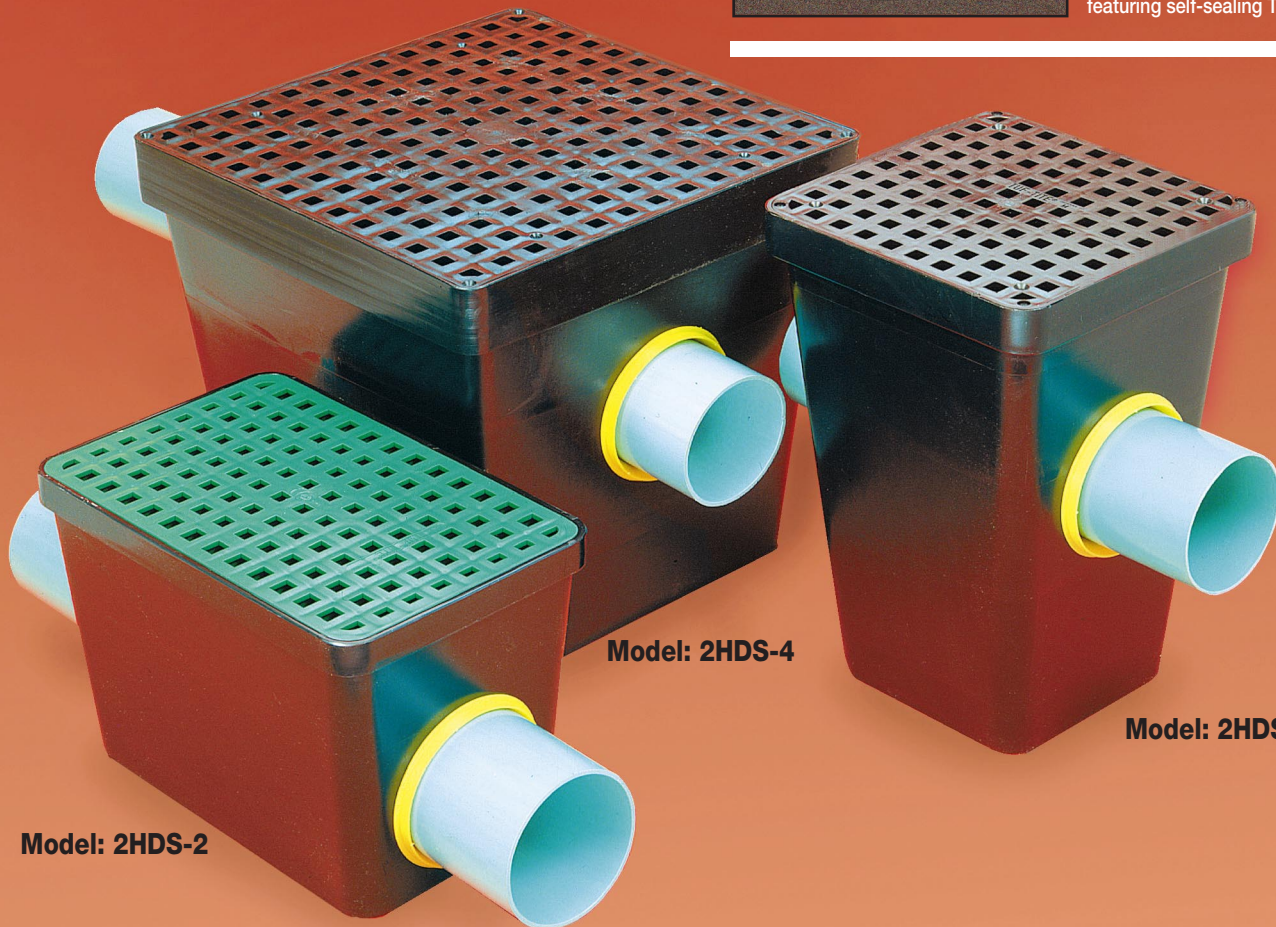


Tough Problem

Providing a simple, reliable, and easy-to-install drain sump.

TUF-TITE Solution

A strong, stable, permanent, non-corrosive Tuf-Tite Drain Sump made from High Density Polyethylene and featuring self-sealing Tuf-Tite Pipe Seals.



Model: 2HDS-2

Model: 2HDS-4

Model: 2HDS-1

Tuf-Tite® Drain Sump. THE TOUGH ONE!

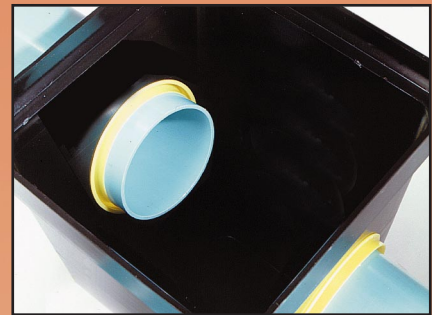
- Injection molded HDPE
- Non-corrosive
- Simple to install
- Easy to level

In today's tough environment, no other material can match High Density Polyethylene in delivering a lifetime of trouble-free service. Tuf-Tite Drain Sumps are injection molded, using only premium HDPE which contains no fillers or foam.



Snap-in pipe seals

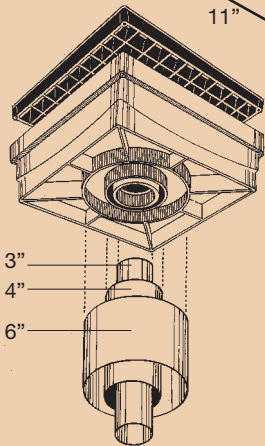
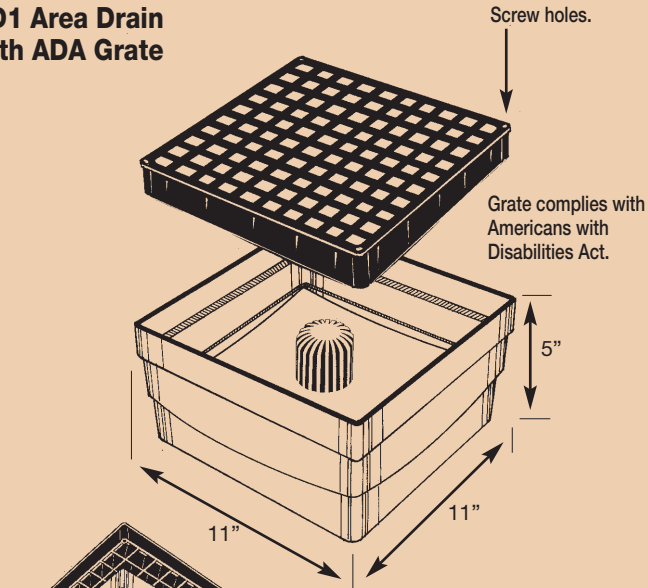
They're patented. Simply insert your PVC pipe and push it through the flexible, polyethylene Tuf-Tite seal. Pipes fit watertight. Installation couldn't be easier.



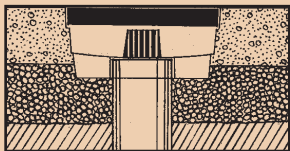
They're permanent

Unlike cement-based pipe grout, Tuf-Tite seals will not crack or corrode, they stay pliable and watertight permanently.

AD1 Area Drain with ADA Grate



Choice of three size drain pipes.



Installs easily inside and out.

■ Rugged, non-corrosive

Molded of gray High-Density Polyethylene. Ribbed bottom provides exceptional compression strength.

■ Atrium Drain

Drain hole is protected by a 1-3/4" high atrium screen. A build-up of small debris won't stop the flow.

■ Steady Flow

The contoured bottom directs all water to the drain. Standing water is eliminated.

■ Easily installed - anywhere!

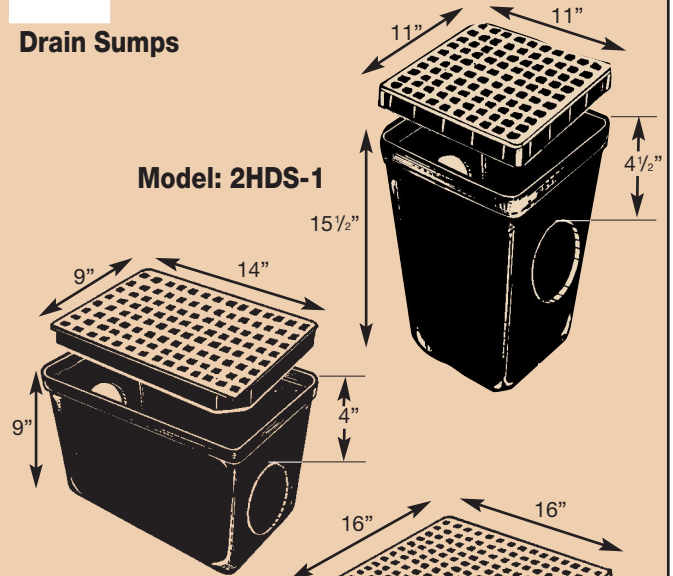
Only 5" deep. Easy to handle and usable with 3", 4" or 6" pipe. No pipe fitting needed.

■ Comes Complete

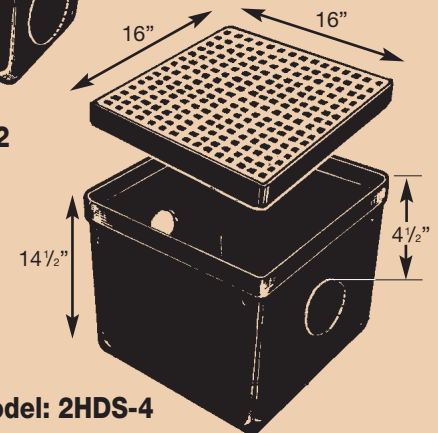
Price includes a heavy duty ADA compliant grate. No extras required.

Drain Sumps

Model: 2HDS-1



Model: 2HDS-2



Model: 2HDS-4

All Tuf-Tite Drain Sumps are injection molded from non-corrosive High Density Polyethylene. Select a 2, 3, or 4-hole Drain Sump with an ADA approved Grate and your choice of 3 snap-in watertight fittings.

- S-35 Yellow Seal for thin wall pipe.
- S-40 Blue Seal for Schedule 40 pipe.
- P-10 Plug for unused holes.



Water-tight
Lids and Risers
by Tuf-Tite®

