

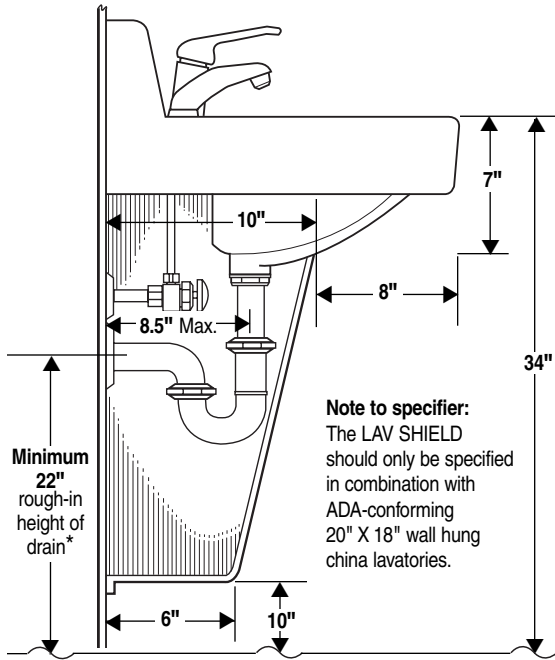


**LAV SHIELD®**  
LAVATORY PROTECTIVE ENCLOSURES

ADA-compliant undersink protection



# Submittal Sheet



\* Less than 22" rough-in height, certain job conditions or certain lavatories may require an offset tailpiece or offset grid strainer.

## General Description:

LAV SHIELD® rigid enclosure is dimensionally engineered to satisfy ADA requirements, design aesthetics and mechanical cooperation. LAV SHIELD conceals electronic faucet components, mixing valves, trap primers and instantaneous water heaters\*\*, while allowing wheelchair accessibility under lavatories and eliminating vandalism. Available in the standard model for field fit applications or may be ordered as a factory pre-cut which closely follows the underside contours of the lavatory specified.

\*\* Lavatory "rough in" should be considered to allow mounting room for water heater behind enclosure. Contact TRUEBRO for specifications.

Material	Rigid high-impact, stain-resistant, rigid PVC
Nominal Wall	.093"
Finish	Fine haircell
UV Protection	Will not fade or discolor
Durability	Virtually indestructible
Fasteners	7 stainless steel screws and wall anchors provided
Color	China white
Compatibility	Fits all ADA-conforming 20" x 18" wall-hung china lavatories
Paintability	Apply acrylic enamel or Latex
UL Listing	In accordance with ADA Article 4.19.4
Flammability	UL-94 V-0, 5VA ASTM D-635-91 4 (ATB) 2.1 (AEB)
Bacterial/Fungal Resistance	ASTM G21 and G22/Result 0

LAV SHIELD Model #2018 — Standard (to be Field Fit)

### LAV SHIELD Factory Pre-cuts Available:

- Model #2018-AS-C – Am.Std. Comrade
- Model #2018-AS-D – Am.Std. Declyn
- Model #2018-AS-L – Am.Std. Lucerne
- Model #2018-AS-M – Am.Std. Muro
- Model #2018-AS-OL – Am.Std. Old Lucerne
- Model #2018-AS-R – Am.Std. Roxalyn
- Model #2018-BD-I – Bradley Imperial
- Model #2018-BR-M – Briggs Milton
- Model #2018-BR-W – Briggs Whitman
- Model #2018-CR-H – Crane Harwich
- Model #2018-CR-N – Crane Norwich
- Model #2018-CR-W – Crane Westmont
- Model #2018-CR-Y – Crane Yorkshire
- Model #2018-EL-B – Eljer Blair
- Model #2018-EL-D – Eljer Delwyn
- Model #2018-EL-M – Eljer Mayburne
- Model #2018-EL-S – Eljer Signature
- Model #2018-EL-U – Eljer Bucknell
- Model #2018-GR-H – Gerber Hayes
- Model #2018-GR-P – Gerber Plymouth
- Model #2018-KO-C – Kohler Chesapeake
- Model #2018-KO-G – Kohler Greenwich
- Model #2018-KO-H – Kohler Hudson
- Model #2018-KO-K – Kohler Kingston
- Model #2018-KO-P – Kohler Pinoir
- Model #2018-KO-S – Kohler Soho
- Model #2018-MA-H – Mansfield 2018 HB
- Model #2018-MA-NS – Mansfield 2018 HB-NS
- Model #2018-TO-L – Toto LT307
- Model #2018-VT – Vitra 5072-003-0030

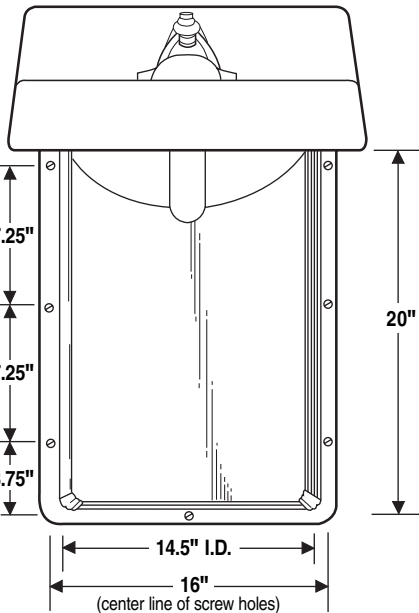
Tamper-resistant Screws (Torx Head Screws)

Special Pre-cut Request: \_\_\_\_\_

Job/Location \_\_\_\_\_

Designer \_\_\_\_\_

TRUEBRO reserves the right to make product and material changes at any time without notice.  
12/06



U.S. and Canadian patents:  
D373,412, D372,077,  
D384,732, D393,700,  
D390,643, 79,064, 79,063

IPS Corporation, 202 Industrial Park Lane, Collierville, TN 38017  
(901) 853-5001 (800) 340-5969 FAX: (901) 853-5008  
e-mail: info@truebro.com Internet: http://www.truebro.com



Lav Shield Classified by  
Underwriters Laboratories Inc.®  
in accordance with  
ADA article 4.19.4 22FF

