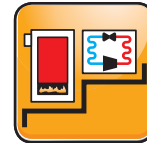


tekmar® Submittal

Boiler Control 274



Multi-Staging

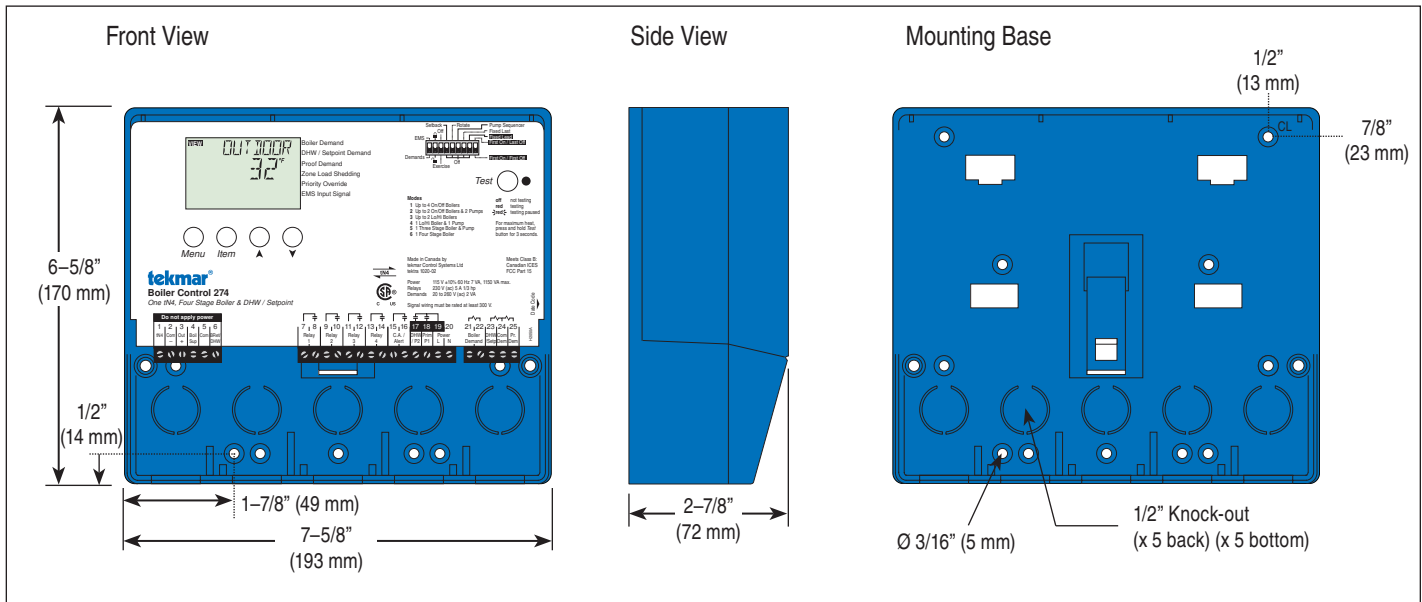
C 274

01/11

Replaces: New

Job _____ Designer _____ Contact _____

The Boiler Control 274 is designed to stage multiple boilers using Outdoor Temperature Reset. It can be used in applications ranging from a single zone of baseboard, multiple baseboard and fan coil zones, to dedicated domestic hot water heating in commercial buildings. This control regulates a single heating water temperature through Outdoor Temperature Reset and/or setpoint/DHW target control. It is capable of controlling (stage and rotate) up to 4 on/off boilers as well as the system pump (pump sequencing option).



Specifications

| Boiler Control 274 One tN4, Four Stage Boiler & DHW / Setpoint | |
|---|---|
| Literature | D274, A274, D001, D070 |
| Control | Microprocessor control. This is not a safety (limit) control |
| Packaged weight | 3.3 lb. (1500 g) |
| Dimensions | 6-5/8" H x 7-9/16" W x 2-13/16" D (170 x 193 x 72 mm) |
| Enclosure | Blue PVC plastic, NEMA type 1 |
| Approvals | CSA C US, meets class B: ICES & FCC Part 15 |
| Ambient conditions | Indoor use only, 32 to 122°F (0 to 50°C), RH ≤90% Non-condensing |
| Power supply | 115 V (ac) ±10%, 60 Hz, 7 VA, 1150 VA max |
| Relays | 230 V (ac) 5 A, 1/3 hp |
| Demands | 20 to 260 V (ac) 2 VA |
| Sensors | NTC thermistor, 10 kΩ @ 77°F (25°C ±0.2°C) β=3892 |
| -Included | Outdoor Sensor 070, 2 of Universal Sensor 082, and 500 Ω Resistor |
| Warranty | Limited 3 Year (See D274 for full warranty) |

Energy Saving Features

- Outdoor Temperature Reset
- Setback built in for energy savings
- Warm Weather Shut Down
- Automatic Boiler Differential
- tekmarNet® 4 Compatible

Additional Features

- Control up to 4 On-Off boilers
- Primary pump sequencing
- DHW pump operation
- Optional DHW priority
- Equal Run Time Rotation
- Automatic Boiler Differential
- Quick setup for easy installation and programming of control
- User comfort adjustment to increase or decrease building space temperature
- Advanced settings to fine-tune building requirements
- Pump exercising
- Powered system pump output
- Test sequence to ensure proper component operation
- 115 V (ac) power supply
- Optional boiler pump(s) operation

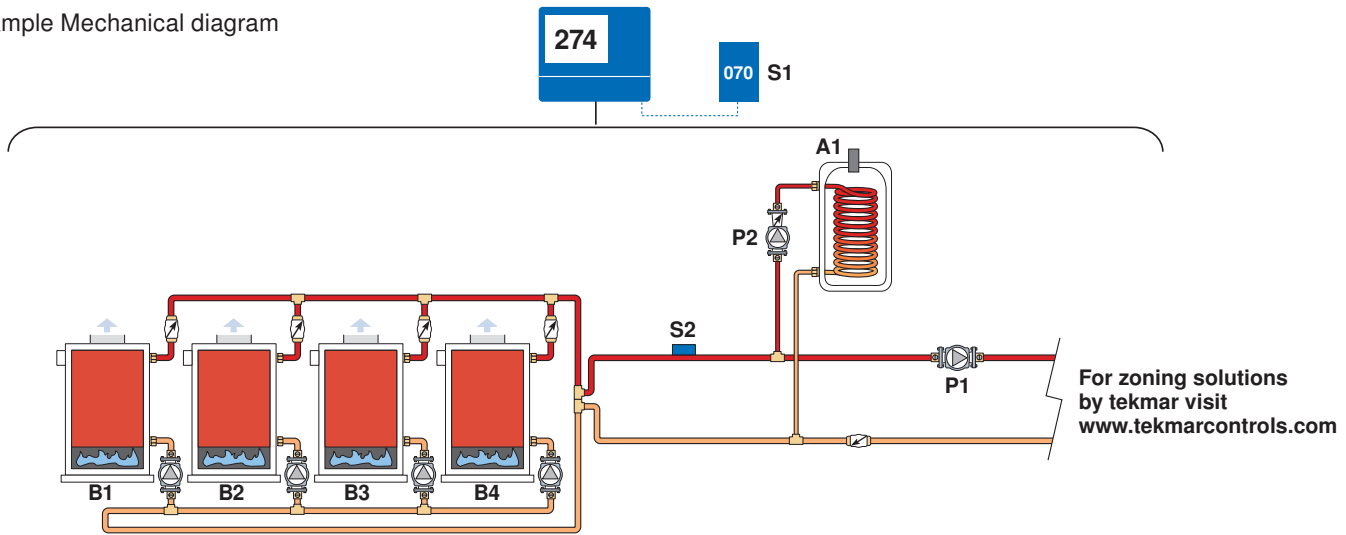
SPECIAL REQUIREMENTS

N / A

Sample Application Drawing

Below is a sample application drawing for this product. This application may include other tekmar products that are required for installation. More sample applications can be found at www.tekmarcontrols.com.

Sample Mechanical diagram

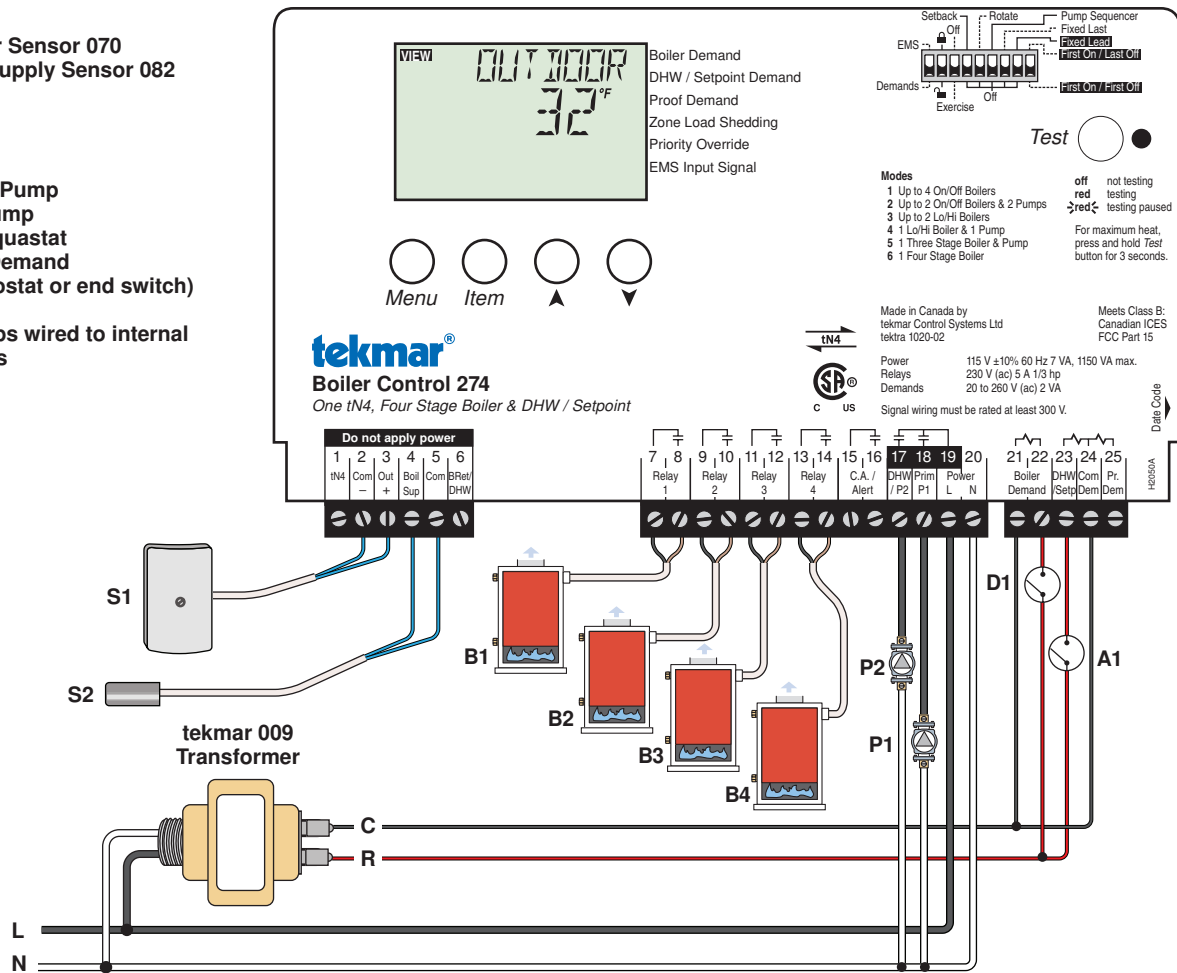


Sample Electrical diagram

Legend:

- S1 = Outdoor Sensor 070
- S2 = Boiler Supply Sensor 082
- B1 = Boiler 1
- B2 = Boiler 2
- B3 = Boiler 3
- B4 = Boiler 4
- P1 = System Pump
- P2 = DHW Pump
- A1 = DHW Aquastat
- D1 = Boiler Demand (From thermostat or end switch)

* Boiler pumps wired to internal boiler circuits



tekmar Control Systems Ltd., Canada, tekmar Control Systems, Inc., U.S.A. Head Office: 5100 Silver Star Road, Vernon, B.C. Canada V1B 3K4, 250-545-7749, Fax. 250-545-0650 Web Site: www.tekmarcontrols.com

