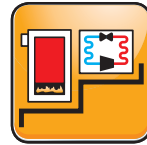


tekmar® Submittal

Boiler Control 263



Multi-Staging

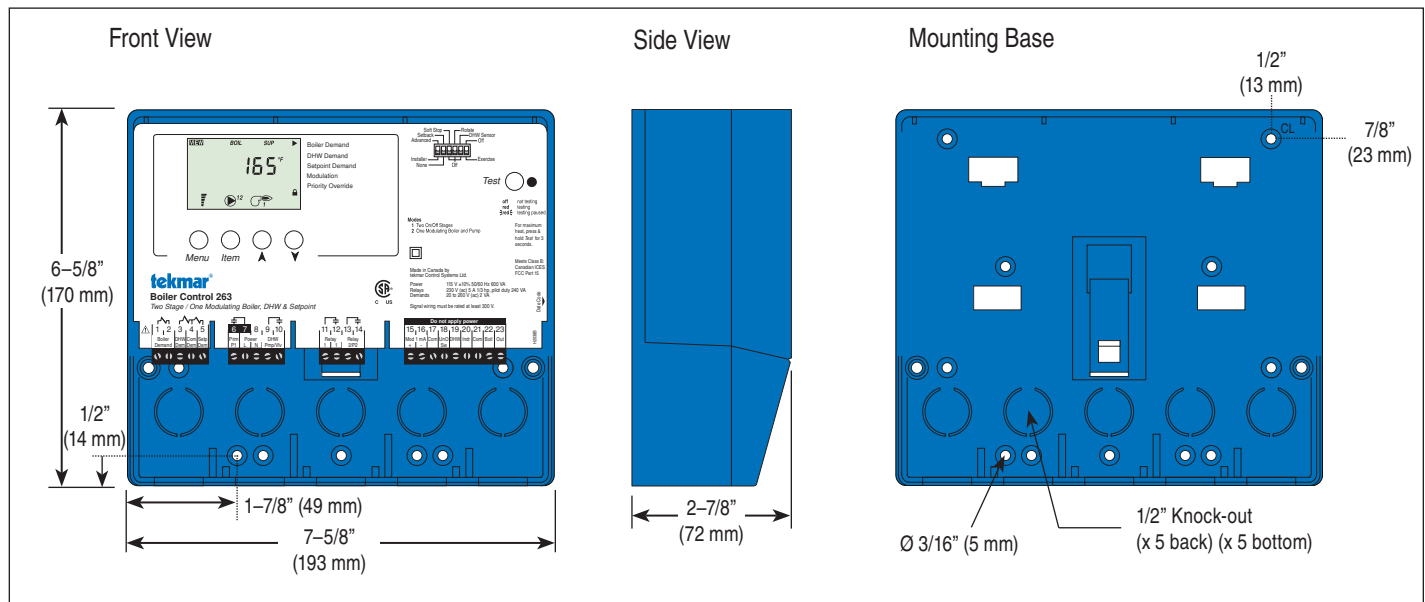
C 263

01/11

Replaces: New

Job _____ Designer _____ Contact _____

The Boiler Control 263 is designed to stage multiple boilers or operate a modulating boiler using Outdoor Temperature Reset. It can be used in applications ranging from a single zone of baseboard, multiple baseboard and fan coil zones, to dedicated Domestic Hot Water heating in commercial buildings. This control regulates a single heating water temperature through Outdoor Temperature Reset, setpoint, and DHW target control. It is capable of controlling (stage and rotate) up to 2 on/off boilers, a single 2 stage boiler, or 1 modulating boiler as well as the system pump.



Specifications

Boiler Control 263 Two Stage / One Modulating Boiler, DHW & Setpoint	
Literature	D263, A263, D001, D070
Control	Microprocessor control. This is not a safety (limit) control
Packaged weight	3.3 lb. (1550 g)
Dimensions	6-5/8" H x 7-9/16" W x 2-13/16" D (170 x 193 x 72 mm)
Enclosure	Blue PVC plastic, NEMA type 1
Approvals	CSA C US, meets Class B: ICES & FCC Part 15
Ambient conditions	Indoor use only, 32 to 122°F (0 to 50°C), RH ≤90% Non-condensing, Altitude <6560 ft. (2000 m), Installation Category II, Pollution Degree 2
Power supply	115 V (ac) ±10%, 50/60 Hz, 600 VA
Relay capacity	230 V (ac) 5 A, 1/3 hp, pilot duty 240 VA
Modulation output	0-20 mA / 4-20 mA (up to 1000 Ω load)
Demands	20 to 260 V (ac) 2 VA
Sensors	NTC thermistor, 10 kΩ @ 77°F (25°C ±0.2°C) β=3892
-Included	Outdoor Sensor 070 and Universal Sensor 082, 500 Ω Resistor
-Optional	tekmar type #: 033, 071, 076, 077, 078, 082, 084
Warranty	Limited 3 Year (See D263 for full warranty)

Energy Saving Features

- Outdoor Temperature Reset
- Setback input for energy savings
- Warm Weather Shut Down
- Automatic Boiler Differential

Additional Features

- 1 modulating or 2 stage boiler control
- Pump and valve exercising
- DHW pump or valve operation
- Optional DHW priority
- Quick Setup for easy installation and programming of control
- User comfort adjustment to increase or decrease building space temperature
- Advanced settings to fine-tune building requirements
- Powered boiler pump output
- Test sequence to ensure proper component operation
- 115 V (ac) power supply

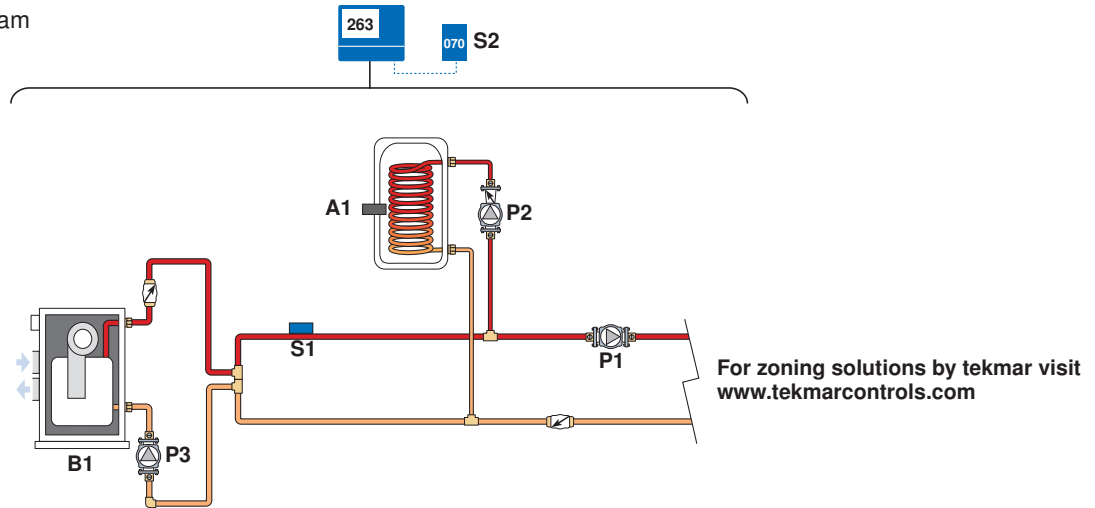
SPECIAL REQUIREMENTS

N / A

Sample Application Drawing

Below is a sample application drawing for this product. This application may include other tekmar products that are required for installation. More sample applications can be found at www.tekmarcontrols.com.

Sample Mechanical diagram



Sample Electrical diagram

Legend:

- S1 = Boiler supply sensor
- S2 = Outdoor Sensor
- P1 = System Pump
- P2 = DHW Pump
- P3 = Boiler Pump
- B1 = Modulating Boiler
- D1 = Boiler demand (From thermostat or end switch)
- A1 = DHW Aquastat

