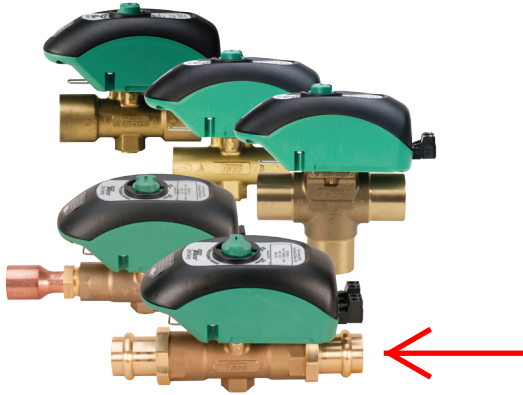


Zone Sentry® Series

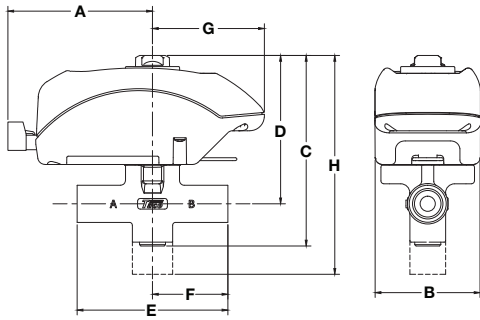
Zone Sentry®



Application:

Taco Zone Sentry® zone valves provide on-off, normally open or normally closed control in closed hydronic systems. (See Geo-Sentry for open system application) The valves can be used in a wide variety of heating and condensing cooling applications, primarily designed for use with baseboard, fan coils, radiators, convectors, air handlers, heat pumps and radiant applications.

For Indoor Use Only



Zone Sentry Dimensions: (FOR REFERENCE PURPOSES)

Valve Size	A		B		C		D		E (Sweat/Press)		E (Threaded)		F		G		H (3-way)	
	in.	mm	in.	mm	in.	mm	in.	mm	in.	mm	in.	mm	in.	mm	in.	mm	in.	mm
1/2"	3"	76.2	2.375"	60.3	4.125"	104.7	3.06"	77.72	3.125"	79.3	4.750"	120.6	1.562"	39.7	2.312"	58.7	5.06"	128.5
3/4"	3"	76.2	2.375"	60.3	4.125"	104.7	3.12"	79.25	3.125"	79.3	3.312"	84.1	1.562"	39.7	2.312"	58.7	5.37"	136.4
1"	3"	76.2	2.375"	60.3	4.125"	104.7	3.12"	79.25	3.875"	98.4	3.875"	98.4	1.875"	47.6	2.312"	58.7	5.50"	139.7
Inverted Flare 3/4" sweat fitting	3"	76.2	2.375"	60.3	3.5"	99.1	3.06"	77.72	7.375"*	187.33	3.5***	88.9	1.75"	44.5	3.312"	58.7	N/A	N/A
1/2", 3/4", 1" Press Connect	3"	76.2	2.375"	60.3	4.125"	104.7	3.12"	79.25	6.2***	157	N/A	N/A	3.1	78.5	2.312"	58.7	N/A	N/A

* Includes inverted flare fitting ** Less fittings *** Press Dimension

NPT Models	2-Way	Sweat Models	NPT Models	3-Way	Sweat Models	Press Connect	Size	Inverted Flare	Valve Size	2-Way Cv (Kv) / Ft of Pipe Equiv. †	Close-Off Pressure (kPa)	3-Way Cv (Kv) / Ft of Pipe Equiv. †
Z050T2	1/2" 2-way	Z050C2	Z050T3	1/2" 3-way	Z050C3	Z050P2	1/2"	---	1/2"	4.9 (4.3) / 9.5	0-125 psi (0-862 kPa)	1.5 (1.3) / 111
									1/2" Press	3.4 (2.9) / 19.6		
Z075T2	3/4" 2 way	Z075C2	Z075T3	3/4" 3-way	Z075C3	Z075P2	3/4"	Z075F2	3/4"	10.3 (8.9) / 8.4	0-125 psi (0-862 kPa)	3.3 (2.8) / 82
									3/4" Press	9.5 (8.1) / 9.9		
Z100T2	1" 2-way	Z100C2	Z100T3	1" 3-way	Z100C3	Z100P2	1"	---	1"	8.9 (7.7) / 47.4	0-125 psi (0-862 kPa)	3.0 (2.6) / 411
									1" Press	7.5 (6.4) / 66.8		
									Inverted Flare 3/4" SWT	3.5 (3.0) / 72.9	0-125 psi (0-862 kPa)	N/A

All models shown are normally closed. Consult factory for additional model numbers

† At 4' per second (Max. recommended residential flow rate)

Product Specifications

Max. Operating Pressure.....	300 PSI (2100 kPa)
Max. Shutoff Pressure.....	125 PSI (875 kPa)
Max. Ambient Temp.	135°F
Fluid Temp. Range	20-220°F (-7°-104°C)
Service	Water or Water/Glycol up to 50% Glycol Close Systems (Open system — option available)
Ball Rotation Speed.....	(90° turn), Approx. 5 seconds (After charge time)
Electrical Rating	24 VAC, 60Hz, 0.48 Amps
Power Consumption	11.4 W, 0.48 Amps (Charging)
Power Consumption	1.44W, 0.06 Amps (Power On)
Heat Anticipator Setting.....	0.5 Amps
End Switch Rating.....	1 Amp @ 24 VAC

Materials of Construction

Actuator:

Body.....	High Performance Engineered Polymer
Gears.....	High Performance Internally Lubricated Engineered Polymer

Valve:

Body.....	Forged Brass
Stem.....	Brass
Press Ring.....	Brass
Ball.....	Brass (Chrome Plated)
Seat.....	Modified Teflon®
O-Rings.....	EPDM