



T&S BRASS AND BRONZE WORKS, INC.
 2 Saddleback Cove / P.O. Box 1088
 Travelers Rest, SC 29690

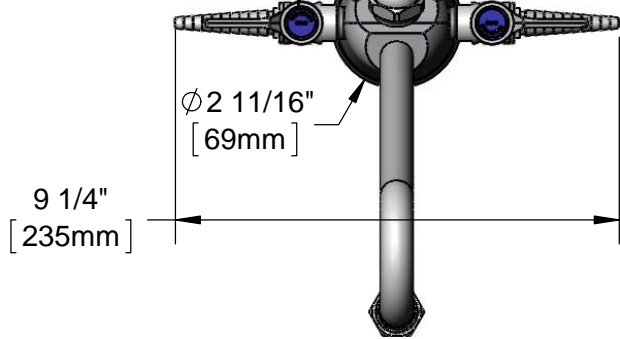
Model No.
BL-6000-02

Item No.

Travelers Rest, SC: 800-476-4103 • Simi Valley, CA: 800-423-0150 • Fax: 864-834-3518 • www.tsbrass.com

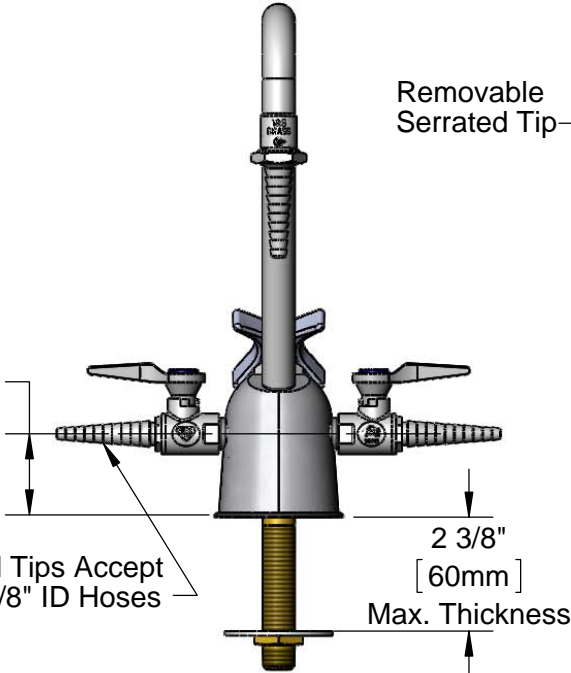
Ball Valve Hose Cock w/
 Dark Blue "GAS" Index

4 Arm Handle w/
 Green "CW" Index



1 11/16"
 [43mm]

Removable
 Serrated Tip



Serrated Tips Accept
 1/4" to 3/8" ID Hoses

2 3/8"
 [60mm]
 Max. Thickness

This Space for Architect/Engineer Approval

Job Name _____ Date _____

Model Specified _____ Quantity _____

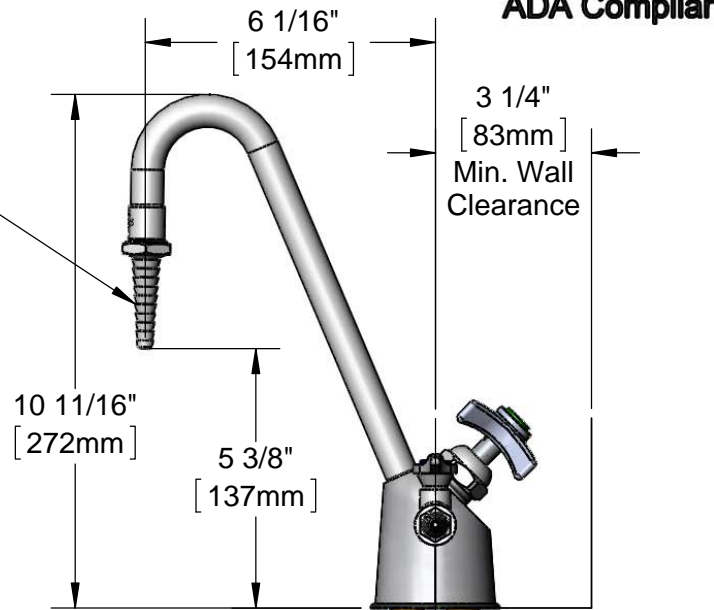
Customer/Wholesaler _____

Contractor _____

Architect/Engineer _____



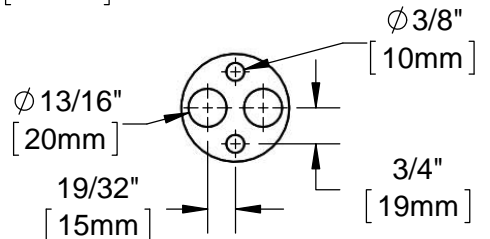
ADA Compliant



3/8" NPT
 Cold Water Inlet

3/8" NPT
 Gas Inlet

1 3/16"
 [29mm]



Mounting Washer / Rough-In Detail

NOTES:

1. Natural Gas Pressure: 0.5 PSIG Max.
 (For Natural Gas above 0.5 PSIG or Oxygen and
 Specialty Gases, use BL-4010-01 Gas Cock.)

2. Certified to ANSI Z21.15a / CSA 9.1a

Product Specifications:
 Combination Gas & Water Fixture w/ (2) Ball Valve Gas Cocks,
 6" Rigid Gooseneck w/ Serrated Tip & 3/8" NPT Male Inlets

Drawn DMH	Checked JRM	Approved JHB
---------------------	-----------------------	------------------------

Scale: 1:4	Date: 05/21/12
----------------------	--------------------------