

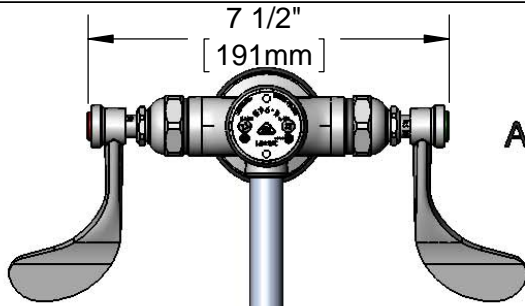


T&S BRASS AND BRONZE WORKS, INC.
 2 Saddleback Cove / P.O. Box 1088
 Travelers Rest, SC 29690

Model No.
BL-5704-08WH4

Item No.

Travelers Rest, SC: 800-476-4103 • Simi Valley, CA: 800-423-0150 • Fax: 864-834-3518 • www.tsbrass.com



ADA Compliant

This Space for Architect/Engineer Approval

Job Name _____ Date _____

Model Specified _____ Quantity _____

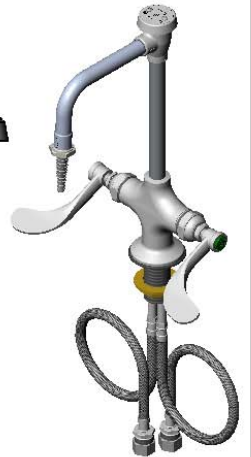
Customer/Wholesaler _____

Contractor _____

Architect/Engineer _____

Rigid Nozzle w/ 3/8" NPT
 Vacuum Breaker &
 B-0198
 Serrated Tip w/ Washer

B-0968
 3/8" NPT
 Vacuum Breaker



Eterna Cartridges
 & 4" Wrist Action
 Handles w/ Color
 Coded Indexes

12 1/4"
 [311mm]

2 3/8"
 [60mm]

5 11/16"
 [144mm]

6"
 [153mm]

Mounting Surface

Deck Gasket

1 3/8"
 [35mm]
 Maximum
 Thickness

Ø2 1/4"
 [57mm]
 Flange

18" Flexible
 Stainless Steel
 Supply Hoses

Compression Fittings
 for 5/8" O.D. Copper Tubing
 (Remove Compression Nut
 for 1/2" NPSM Male)

Rough-In Requirement:
 1 1/2" [Ø 38mm] Mounting Hole

Product Specifications:
 Single Hole Deck Mount Mixing Faucet, Eterna Cartridge, Rigid
 Nozzle w/ Serrated Tip Outlet, 3/8" NPT Vacuum Breaker,
 4" Wrist Action Handles & 18" Flexible Stainless Steel Supply
 Hoses w/ 1/2" NPSM Male Inlets

Product Compliance:
 ASME A112.18.1 / CSA B125.1
 NSF 61 Exempt (Non-Potable)
 ASSE 1001 (VB)
 ANSI A117.1 (ADA)



T&S BRASS AND BRONZE WORKS, INC.

2 Saddleback Cove / P.O. Box 1088
Travelers Rest, SC 29690

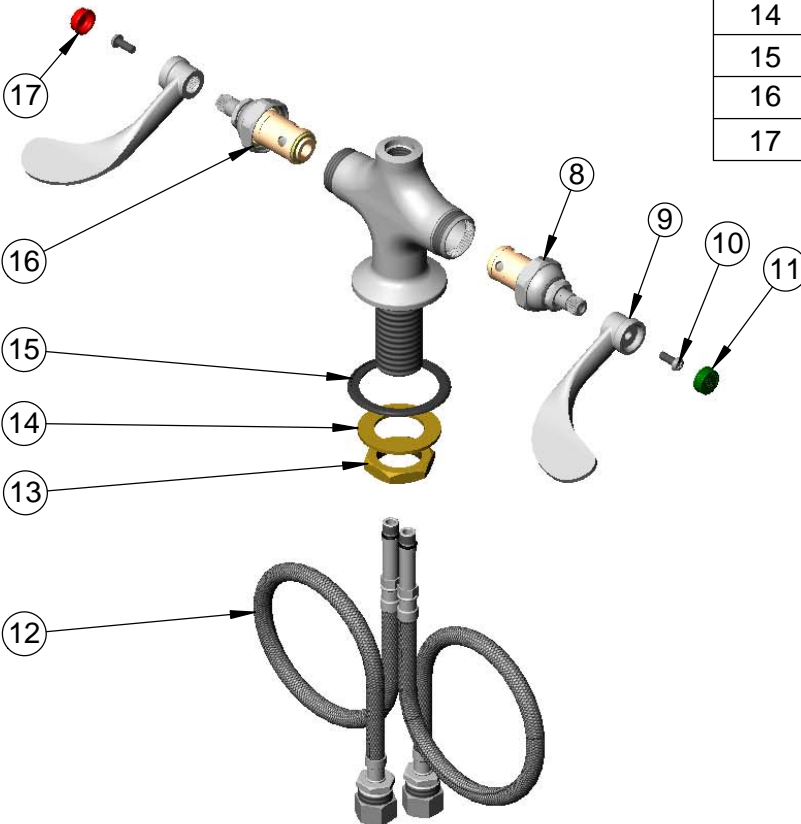
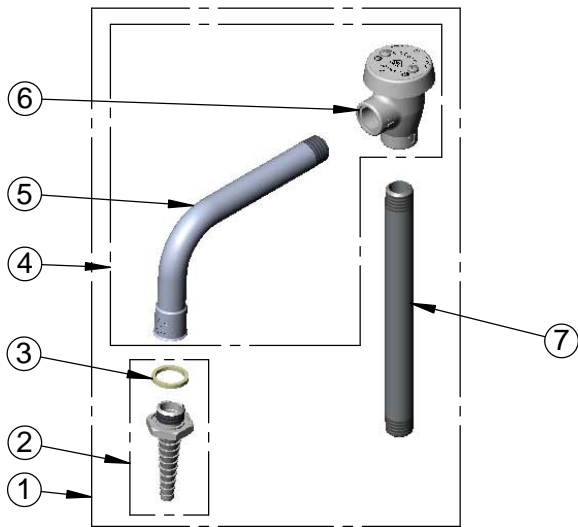
Model No.

BL-5704-08WH4

Item No.

Travelers Rest, SC: 800-476-4103 • Simi Valley, CA: 800-423-0150 • Fax: 864-834-3518 • www.tsbrass.com

ITEM NO.	SALES NO.	DESCRIPTION
1	BL-5560-01	Rigid Nozzle w/ Vacuum Breaker Serrated Tip & 3/8" NPT x 7" Nipple Inlet
2	B-0198	Serrated Tip w/ Washer
3	001051-45	Washer
4	007283-40	Nozzle w/ Vacuum Breaker Only
5	000387-40	Nozzle
6	B-0968	3/8" NPT Vacuum Breaker
7	000363-40	Nipple, 3/8" NPT x 7"
8	006009-40	Eterna Cartridge, LTC
9	B-WH4	4" Wrist Action Handle
10	000925-45	Lab Handle Screw
11	001191-45	Green Index - CW
12	012534-45	18" Flexible Supply Hose (2)
13	000965-45	Lock Nut
14	002290-45	Lock Washer
15	145L	Black Plastic Gasket
16	006010-40	Eterna Cartridge, RTC
17	001194-45	Red Index - HW



Product Specifications:

Single Hole Deck Mount Mixing Faucet, Eterna Cartridge, Rigid Nozzle w/ Serrated Tip Outlet, 3/8" NPT Vacuum Breaker, 4" Wrist Action Handles & 18" Flexible Stainless Steel Supply Hoses w/ 1/2" NPSM Male Inlets

Product Compliance:

ASME A112.18.1 / CSA B125.1
NSF 61 Exempt (Non-Potable)
ASSE 1001 (VB)
ANSI A117.1 (ADA)