



T&S BRASS AND BRONZE WORKS, INC.

2 Saddleback Cove / P.O. Box 1088
Travelers Rest, SC 29690

Model No.

BL-4203 SERIES

Item No.

Travelers Rest, SC: 800-476-4103 • Simi Valley, CA: 800-423-0150 • Fax: 864-834-3518 • www.tsbrass.com

This Space for Architect/Engineer Approval

Job Name _____ Date _____

Model Specified _____ Quantity _____

Customer/Wholesaler _____

Contractor _____

Architect/Engineer _____

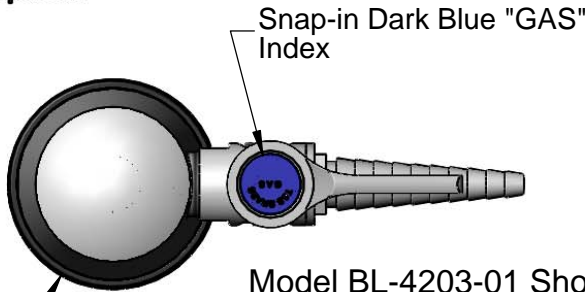
| | |
|------------|---------------------------------|
| BL-4203-0 | Turret w/ (2) Hose Cocks @ 90° |
| BL-4203-01 | Turret w/ (1) Hose Cock |
| BL-4203-02 | Turret w/ (2) Hose Cocks @ 180° |
| BL-4203-03 | Turret w/ (3) Hose Cocks @ 90° |
| BL-4203-04 | Turret w/ (4) Hose Cocks @ 90° |



ADA Compliant

Notes:

1. Natural Gas Pressure: 0.5 PSIG Max. (For Natural Gas above 0.5 PSIG or Oxygen and Specialty Gases, use BL-4010-01 Gas Cock.)
2. Air Pressure: 125 PSIG Max.
3. Vacuum: 30 inches of Mercury Max.
4. Certified to ANSI Z21.15a / CSA 9.1a



Model BL-4203-01 Shown

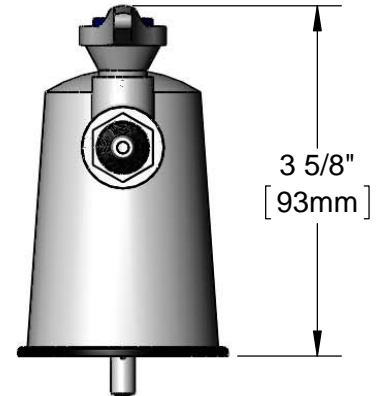
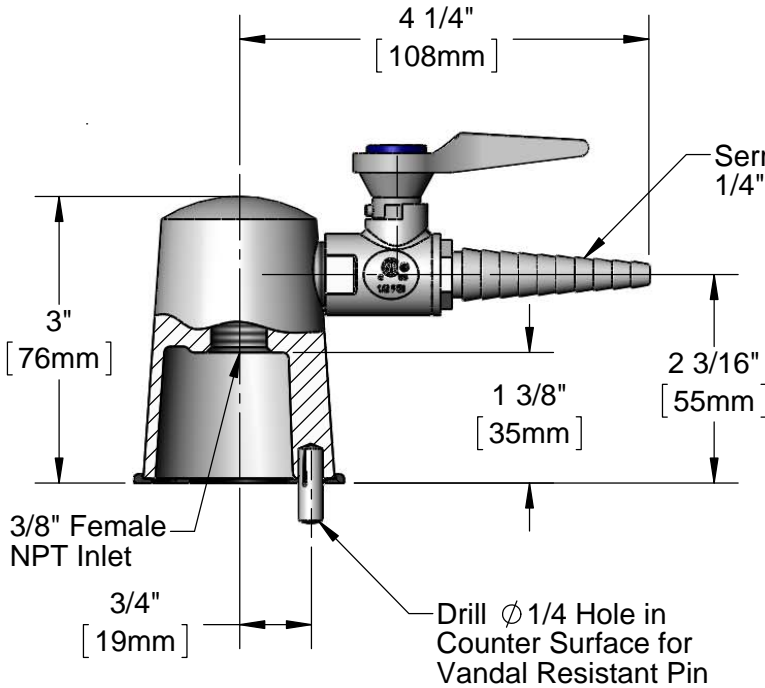
Ø 2 3/16"
[56mm]



209L-VAC
Index(es)
Included



209L-AIR
Index(es)
Included



Product Specifications:
Vandal Resistant Laboratory Turret w/ Serrated Hose Cock(s)

| | | |
|----------------------|-----------------------|--------------------------|
| Drawn DMH | Checked JRM | Approved JHB |
| Scale: 1:2 | | Date: 05/21/12 |



T&S BRASS AND BRONZE WORKS, INC.

2 Saddleback Cove / P.O. Box 1088

Travelers Rest, SC 29690

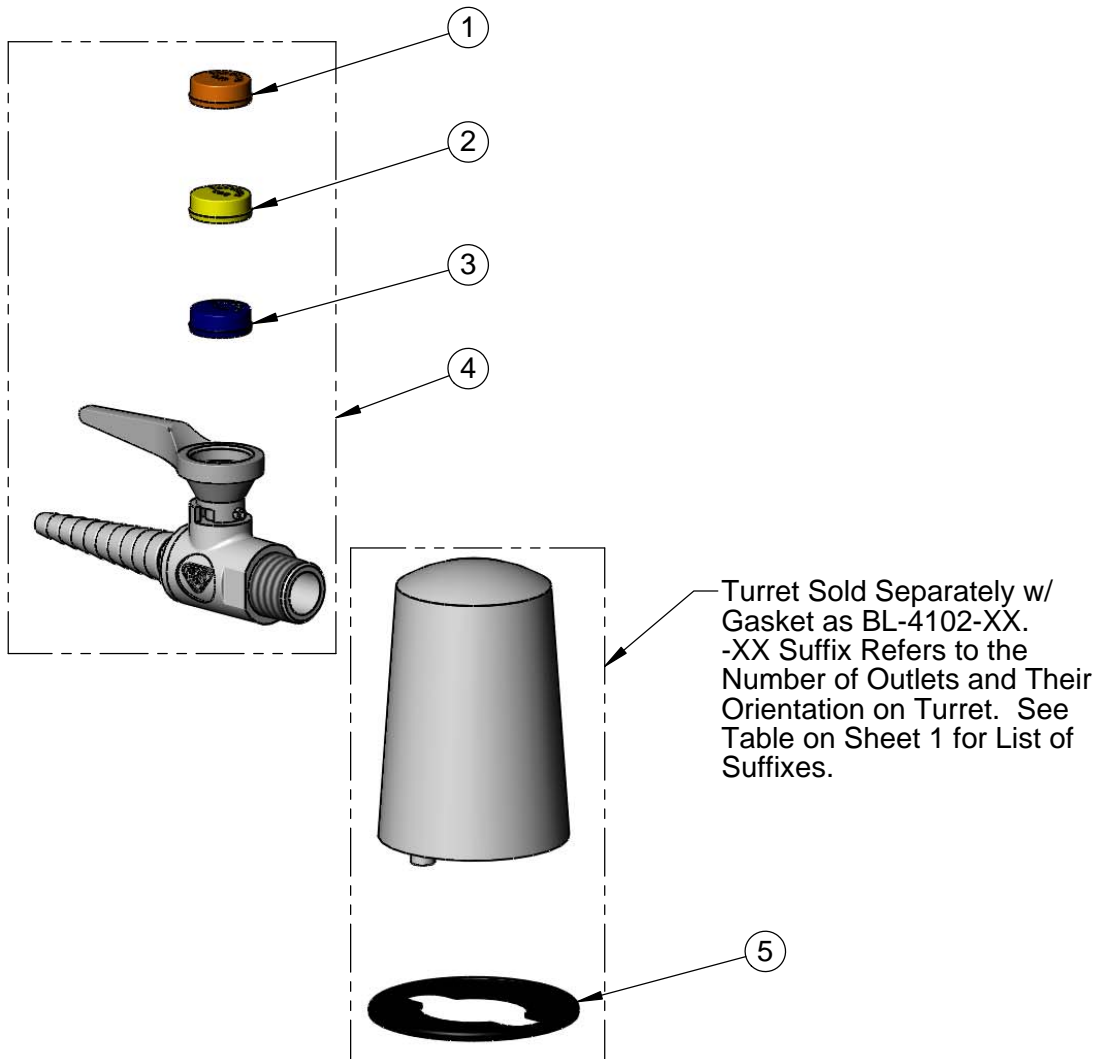
Model No.

BL-4203 SERIES

Item No.

Travelers Rest, SC: 800-476-4103 • Simi Valley, CA: 800-423-0150 • Fax: 864-834-3518 • www.tsbrass.com

| ITEM NO. | SALES NO. | DESCRIPTION |
|----------|------------|--|
| 1 | 209L-AIR | Cap, Index, Orange, Air |
| 2 | 209L-VAC | Cap, Index, Yellow, Vacuum |
| 3 | 209L-GAS | Cap, Index, Blue, Gas |
| 4 | BL-4000-01 | Ball Valve Hose Cock w/ GAS, AIR & VAC Indexes |
| 5 | 144L | Gasket Polypropylene |



Product Specifications:
Vandal Resistant Laboratory Turret w/ Serrated Hose Cock(s)

| | | |
|----------------------|-----------------------|--------------------------|
| Drawn DMH | Checked JRM | Approved JHB |
| Scale: NTS | | Date: 05/21/12 |