



T&S BRASS AND BRONZE WORKS, INC.
 2 Saddleback Cove / P.O. Box 1088
 Travelers Rest, SC 29690

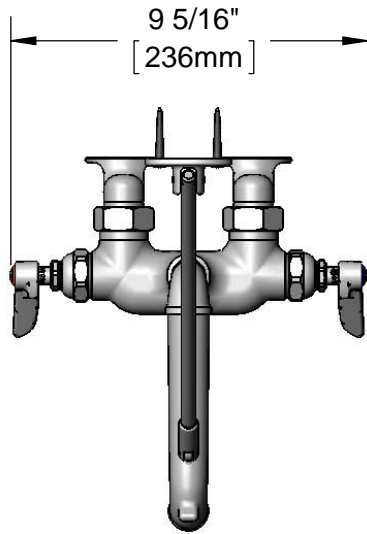
Model No.
B-2345

Item No.

Travelers Rest, SC: 800-476-4103 • Simi Valley, CA: 800-423-0150 • Fax: 864-834-3518 • www.tsbrass.com

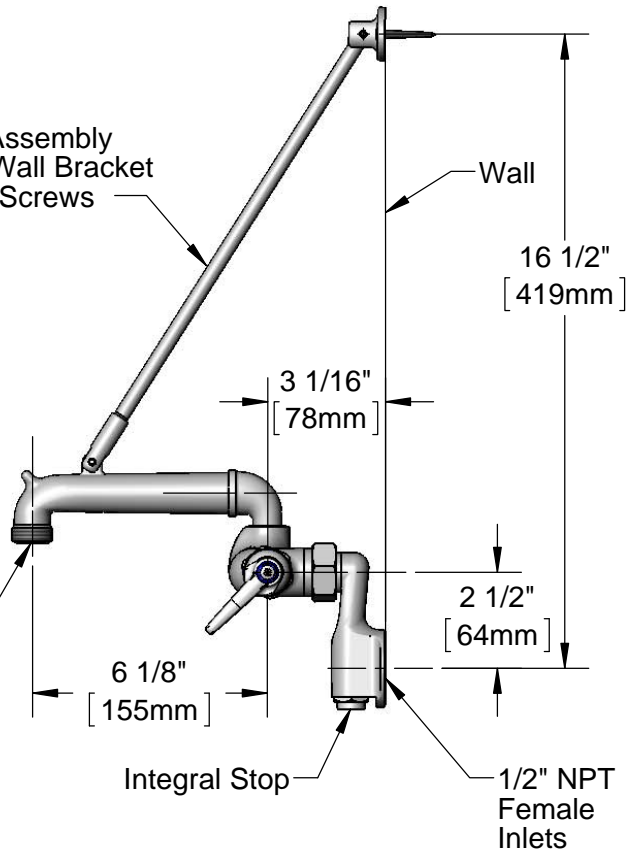
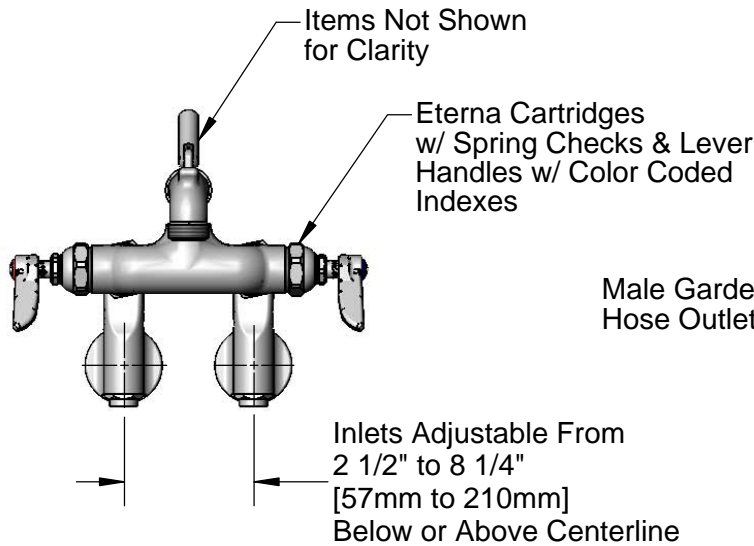
This Space for Architect/Engineer Approval

Job Name _____ Date _____
 Model Specified _____ Quantity _____
 Customer/Wholesaler _____
 Contractor _____
 Architect/Engineer _____



ADA Compliant

Support Rod Assembly
 Furnished w/ Wall Bracket
 and Mounting Screws



Product Specifications:
 Service Sink Faucet, Polished Chrome, Lever Handles, Wall Brace,
 1/2" NPT Adjustable Inlets w/ Integral Stops & Male Garden Hose Outlet

Product Compliance:
 ASME A112.18.1 / CSA B125.1
 NSF 61 - Section 9
 NSF 372 (Low Lead Content)
 ANSI A117.1 (ADA)



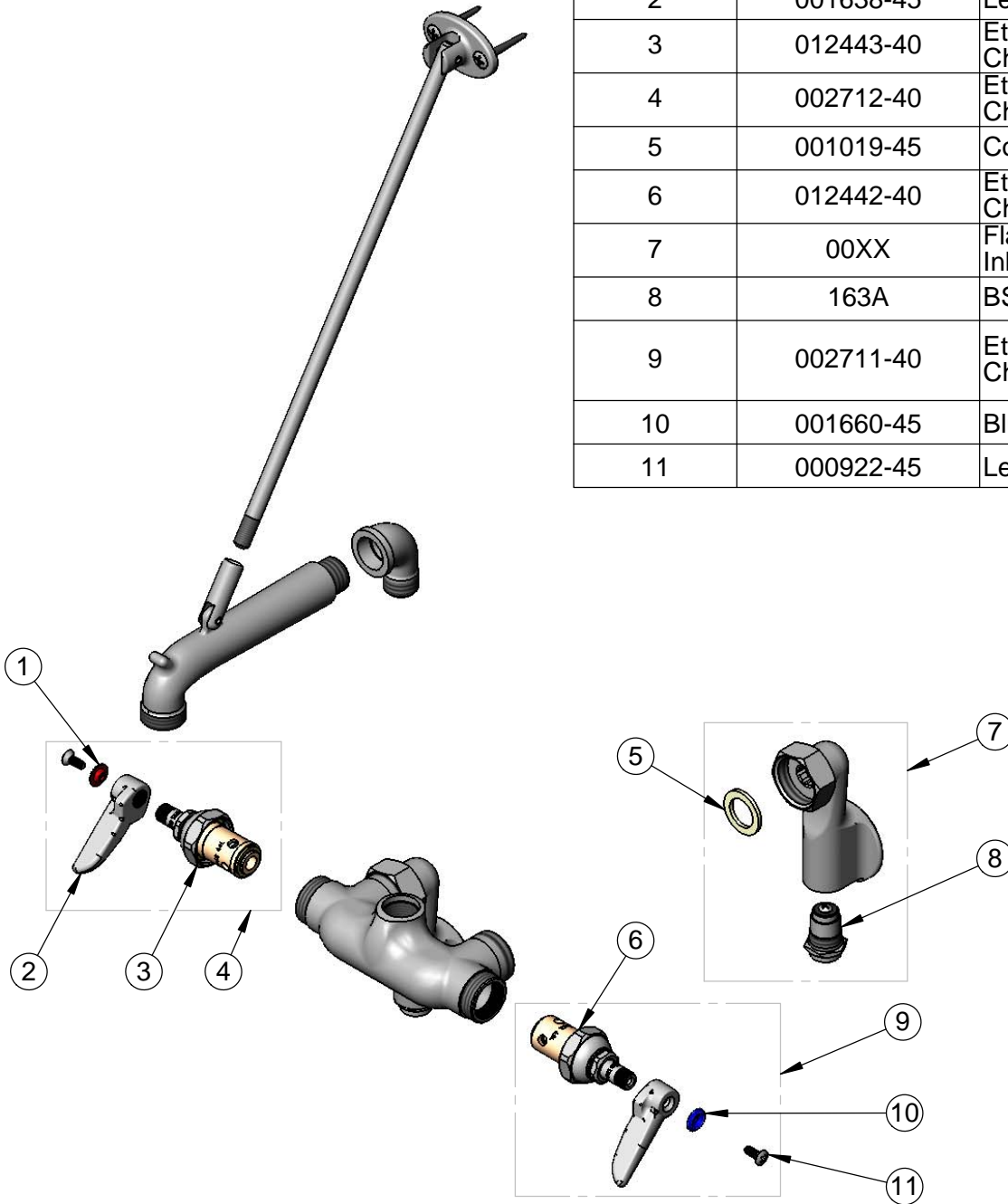
T&S BRASS AND BRONZE WORKS, INC.
 2 Saddleback Cove / P.O. Box 1088
 Travelers Rest, SC 29690

Model No.
B-2345

Item No.

Travelers Rest, SC: 800-476-4103 • Simi Valley, CA: 800-423-0150 • Fax: 864-834-3518 • www.tsbrass.com

ITEM NO.	SALES NO.	DESCRIPTION
1	001661-45	Red Index-HW
2	001638-45	Lever Handle
3	012443-40	Eterna Cartridge, RTC w/ Spring Check
4	002712-40	Eterna Cartridge, RTC w/ Spring Check, Handle, Index & Screw
5	001019-45	Coupling Nut Washer
6	012442-40	Eterna Cartridge, LTC w/ Spring Check
7	00XX	Flange, 1/2" Female Inlet w/ Screw-driver Stop
8	163A	BST Assembly
9	002711-40	Eterna Cartridge, LTC w/ Spring Check, Handle, Index & Screw
10	001660-45	Blue Index-CW
11	000922-45	Lever Handle Screw



Product Specifications:
 Service Sink Faucet, Polished Chrome, Lever Handles, Wall Brace,
 1/2" NPT Adjustable Inlets w/ Integral Stops & Male Garden Hose Outlet

Product Compliance:
 ASME A112.18.1 / CSA B125.1
 NSF 61 - Section 9
 NSF 372 (Low Lead Content)
 ANSI A117.1 (ADA)