



T&S BRASS AND BRONZE WORKS, INC.

2 Saddleback Cove / P.O. Box 1088
Travelers Rest, SC 29690

Model No.

B-0892-01CR-L22

Item No.

Travelers Rest, SC: 800-476-4103 • Simi Valley, CA: 800-423-0150 • Fax: 864-834-3518 • www.tsbrass.com



ADA Compliant

This Space for Architect/Engineer Approval

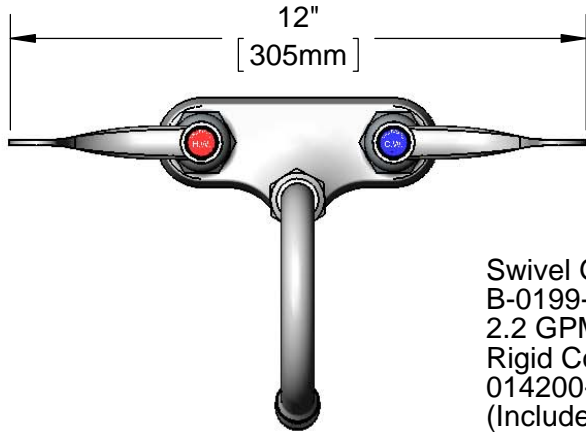
Job Name _____ Date _____

Model Specified _____ Quantity _____

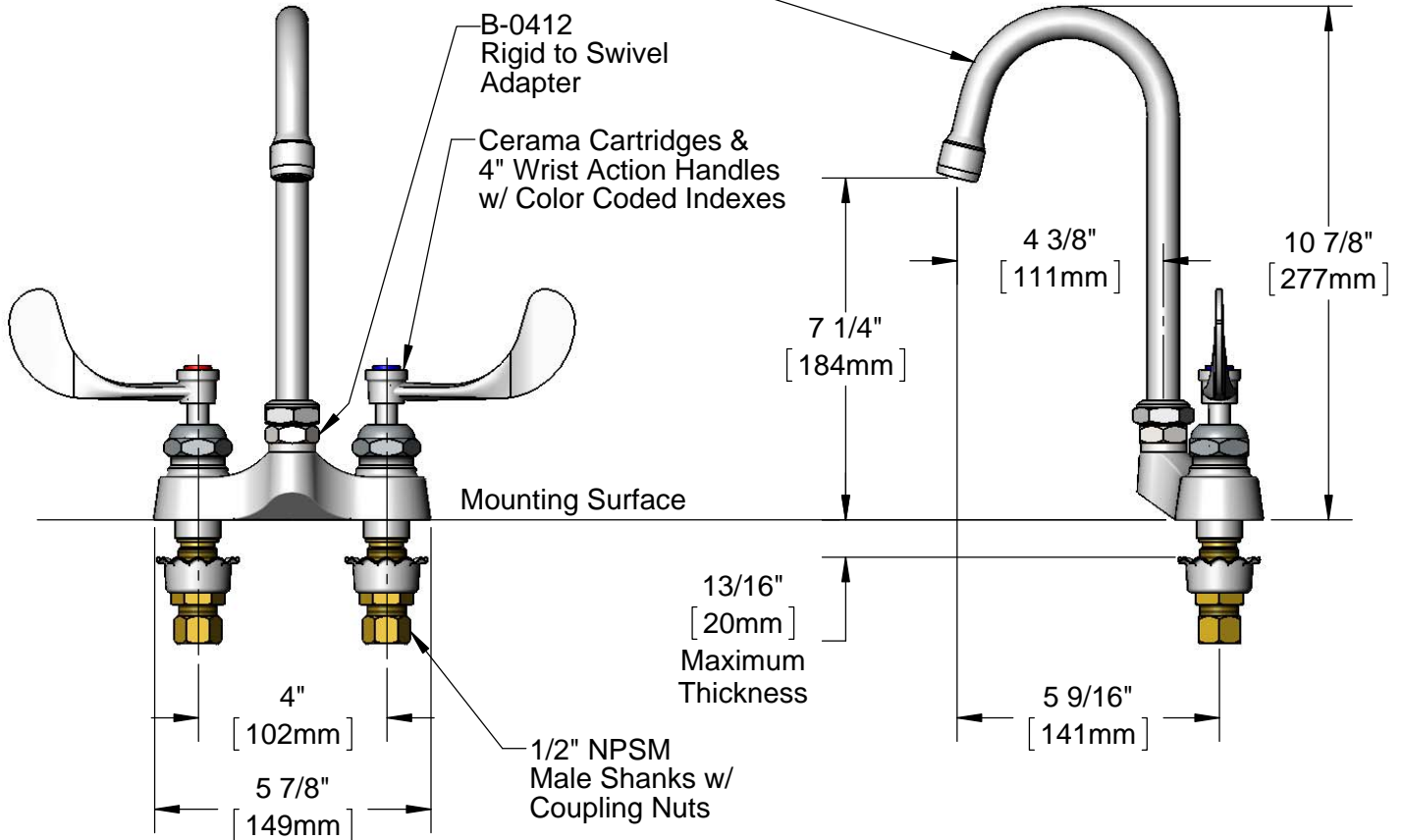
Customer/Wholesaler _____

Contractor _____

Architect/Engineer _____



Swivel Gooseneck w/
B-0199-21
2.2 GPM Laminar Flow Device
Rigid Conversion Requires
014200-45 Lock Washer
(Included)



Rough-In Requirement:
(2) \varnothing 1 1/8" [29mm] Mounting Holes

Product Specifications:
4" Centerset Faucet w/ Cerama Cartridges, 4" Wrist Action Handles,
Swivel Gooseneck, 2.2 GPM Laminar Flow Device & 1/2" NPSM
Male Shanks

Drawn

KJG

Checked

DHL

Approved

JHB

Scale:

1:4

Date:

07/06/12



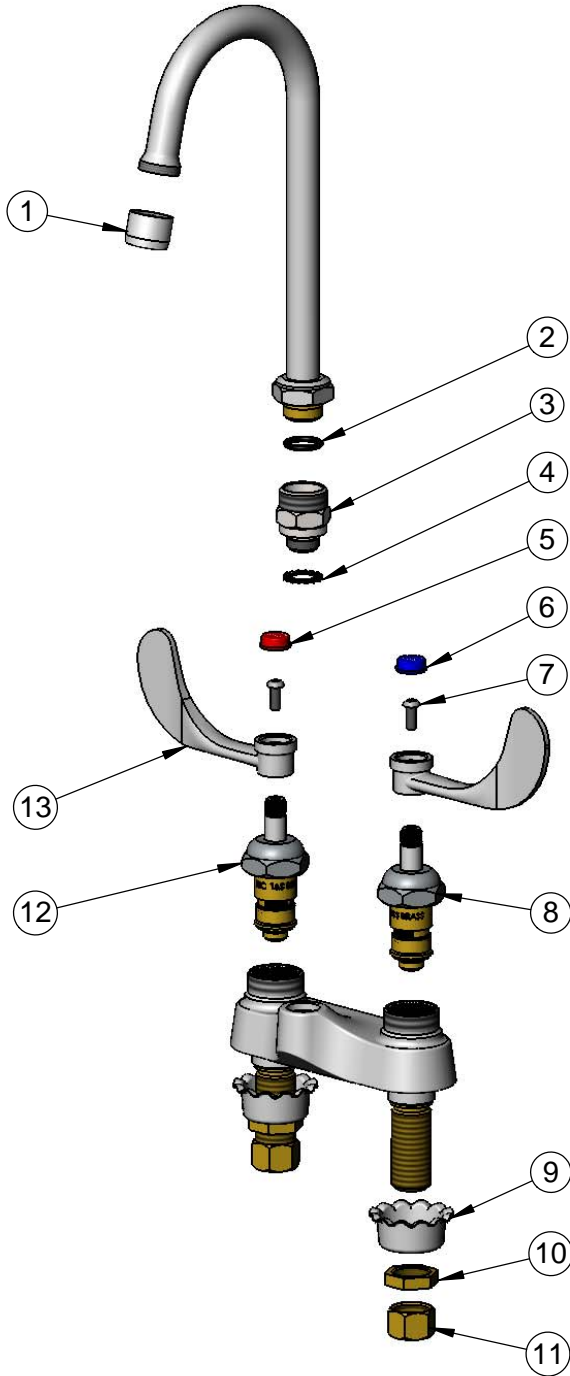
T&S BRASS AND BRONZE WORKS, INC.
 2 Saddleback Cove / P.O. Box 1088
 Travelers Rest, SC 29690

Model No.
B-0892-01CR-L22

Item No.

Travelers Rest, SC: 800-476-4103 • Simi Valley, CA: 800-423-0150 • Fax: 864-834-3518 • www.tsbrass.com

ITEM NO.	SALES NO.	DESCRIPTION
1	B-0199-21	Laminar Flow Device
2	001074-45	O-Ring
3	B-0412	Rigid to Swivel Adapter
4	014200-45	Star Washer, Anti-Rotation
5	001194-45	Red HW Index
6	001686-45	Blue CW Index
7	000925-45	Lab Handle Screw
8	011279-25	Cerama Cartridge, LTC w/ Bonnet
9	001000-45	Rosette Washer
10	002954-45	Shank Lock Nut
11	000958-20	Coupling Nut
12	011278-25	Cerama Cartridge, RTC w/ Bonnet
13	B-WH4	4" Wrist Action Handle



Product Specifications:
 4" Centerset Faucet w/ Cerama Cartridges, 4" Wrist Action Handles,
 Swivel Gooseneck, 2.2 GPM Laminar Flow Device & 1/2" NPSM
 Male Shanks

Drawn KJG	Checked DHL	Approved JHB
Scale: NTS		Date: 07/06/12