



T&S BRASS AND BRONZE WORKS, INC.

2 Saddleback Cove / P.O. Box 1088
Travelers Rest, SC 29690



REG. #A2601
ISO #9001

Model No.
B-0871-CR-WS

Item No.

Travelers Rest, SC: 800-476-4103 Simi Valley, CA: 800-423-0150 Fax: 864-834-3518 www.tsbrass.com

This Space for Architect/Engineer Approval

Job Name _____ Date _____

Model Specified _____ Quantity _____

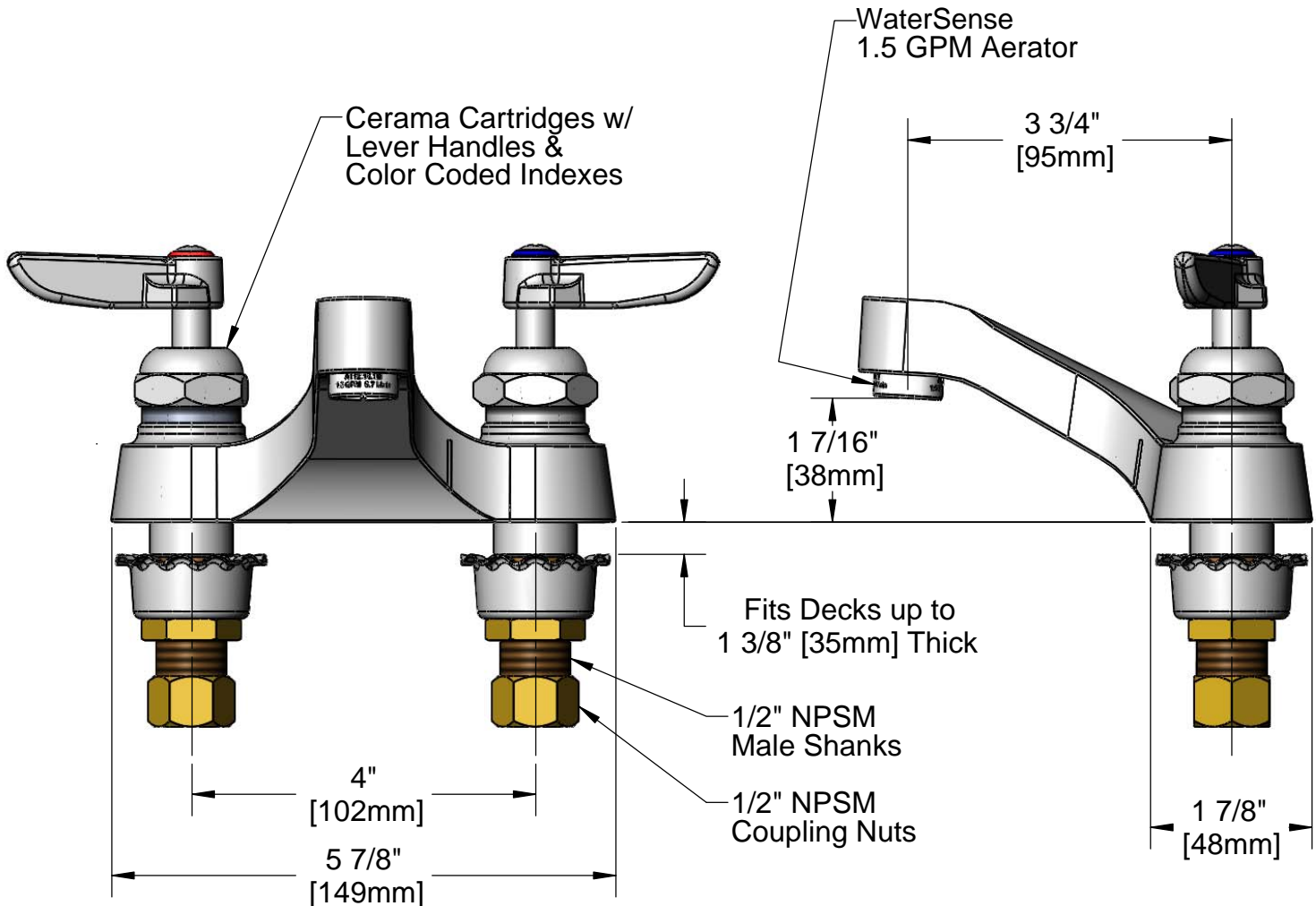
Customer/Wholesaler _____

Contractor _____

Architect/Engineer _____



ADA Compliant



Rough-in: ϕ 1 1/8" [29mm] Holes

Product Specifications:

4" Centerset Commercial Mixing Faucet w/ Cerama Cartridges, Lever Handles & 1.5 GPM Aerator

Drawn KJG	Checked GEF	Approved JHB
Scale: 1:2		Date: 06/16/11



T&S BRASS AND BRONZE WORKS, INC.

2 Saddleback Cove / P.O. Box 1088
Travelers Rest, SC 29690



REG. #A2601
ISO #9001

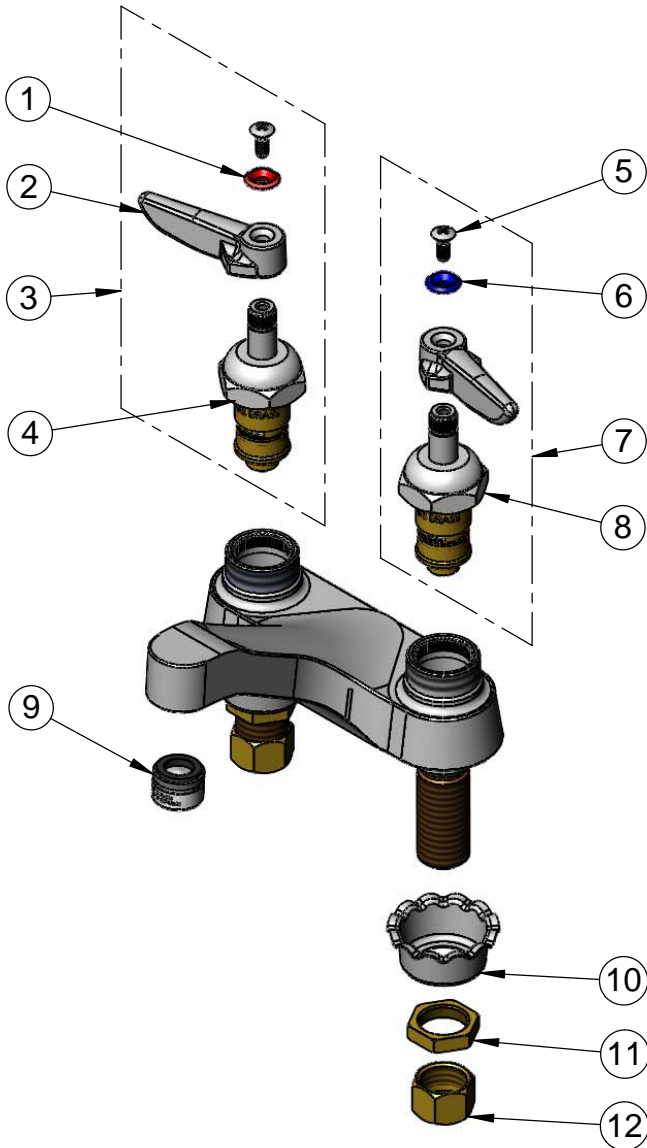
Model No.

B-0871-CR-WS

Item No.

Travelers Rest, SC: 800-476-4103 Simi Valley, CA: 800-423-0150 Fax: 864-834-3518 www.tsbrass.com

ITEM NO.	SALES NO.	DESCRIPTION
1	001661-45	Red Index-HW
2	001638-45	Lever Handle
3	012444-25	Hot Ceramic Cartridge w/ Handle, Index & Screw
4	011278-45	Ceramic Cartridge, Hot
5	000922-45	Lever Handle Screw
6	001660-45	Blue Index-CW
7	012445-25	Cold Ceramic Cartridge w/ Handle, Index & Screw
8	011279-25	Ceramic Cartridge, Cold
9	B-0199-03-WS	1.5 GPM Aerator, 13/16-27 Male
10	001000-45	Rosette Washer
11	002954-45	Shank Lock Nut
12	000958-20	Coupling Nut



Product Specifications:

4" Centerset Commercial Mixing Faucet w/ Cerama Cartridges, Lever Handles & 1.5 GPM Aerator

Drawn	Checked	Approved
KJG	GEF	JHB
Scale:		Date:
NTS		06/16/11