



# T&S BRASS AND BRONZE WORKS, INC.

2 Saddleback Cove / P.O. Box 1088  
Travelers Rest, SC 29690



REG. #A2601  
ISO #9001

Model No.

**B-0330-04**

Item No.

Travelers Rest, SC: 800-476-4103 • Simi Valley, CA: 800-423-0150 • Fax: 864-834-3518 • www.tsbrass.com

This Space for Architect/Engineer Approval

Job Name \_\_\_\_\_ Date \_\_\_\_\_

Model Specified \_\_\_\_\_ Quantity \_\_\_\_\_

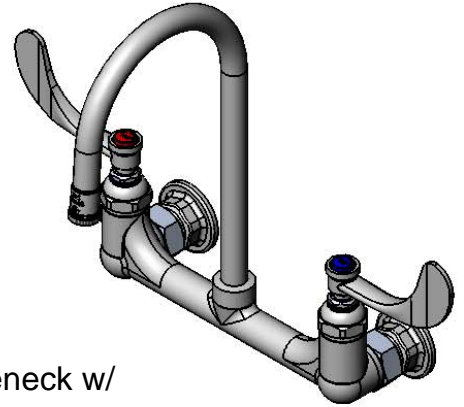
Customer/Wholesaler \_\_\_\_\_

Contractor \_\_\_\_\_

Architect/Engineer \_\_\_\_\_

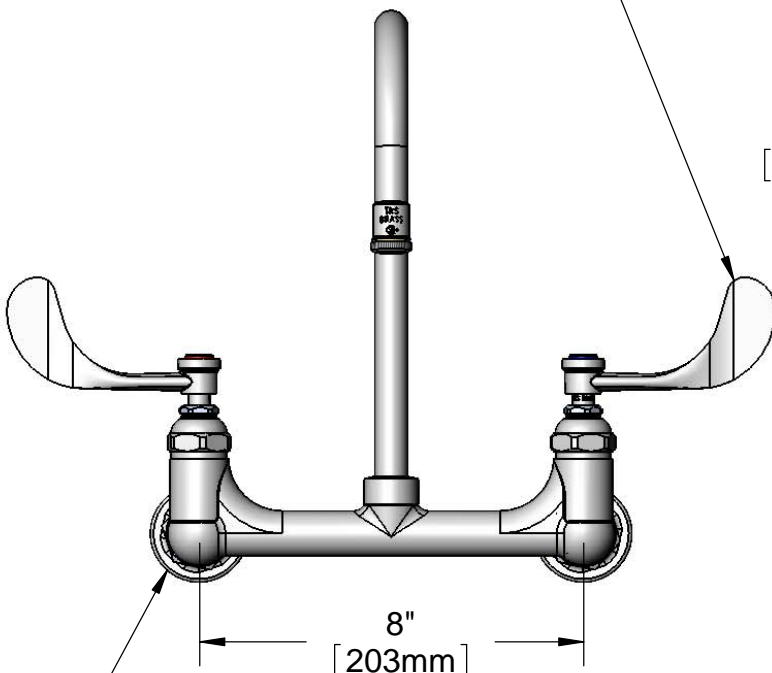


**ADA Compliant**



Eterna Cartridges &  
4" Wrist Action Handles  
w/ Color Coded Indexes

120X  
Rigid Gooseneck w/  
B-LT  
Stream Regulator

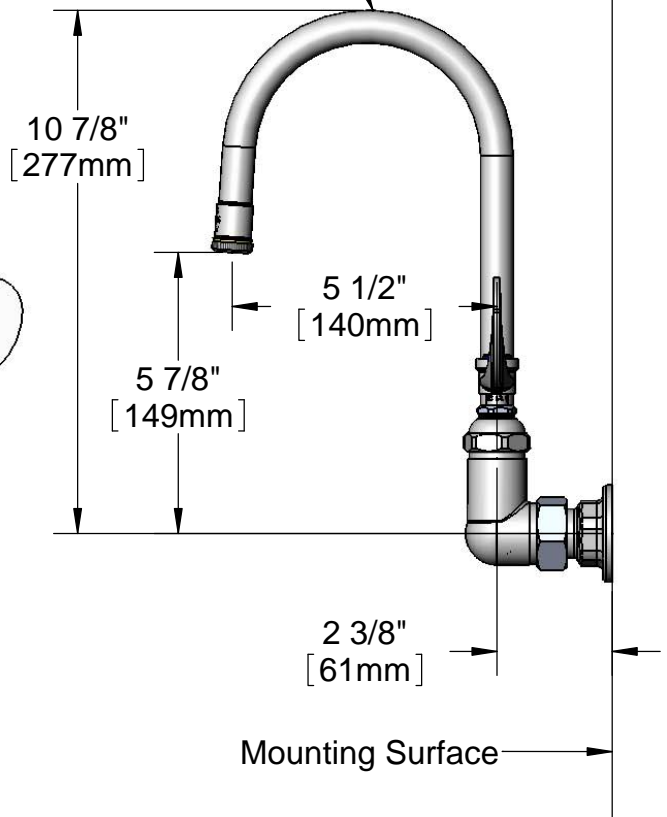


8"

[203mm]

Adjustable From  
7 3/4" to 8 1/4"  
[197mm to 210mm]

Ø 2" [51mm]  
Flanges w/  
1/2" NPT  
Female Inlets



10 7/8"  
[277mm]

5 7/8"  
[149mm]

5 1/2"  
[140mm]

2 3/8"  
[61mm]

Mounting Surface

**Product Specifications:**

8" c/c Mixing Faucet (Wall Mount), 120X Rigid Gooseneck w/ B-LT Stream Regulator, 4" Wrist Action Handles & 1/2" NPT Female Inlets

Drawn

**DHL**

Checked

**KJG**

Approved

**JHB**

Scale:

**1:4**

Date:

**06/17/11**