



T&S BRASS AND BRONZE WORKS, INC.

2 Saddleback Cove / P.O. Box 1088
Travelers Rest, SC 29690

Model No.

B-0165

Item No.

Travelers Rest, SC: 800-476-4103 • Simi Valley, CA: 800-423-0150 • Fax: 864-834-3518 • www.tsbrass.com

This Space for Architect/Engineer Approval

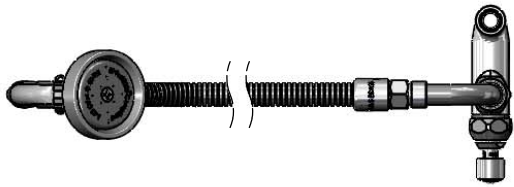
Job Name _____ Date _____

Model Specified _____ Quantity _____

Customer/Wholesaler _____

Contractor _____

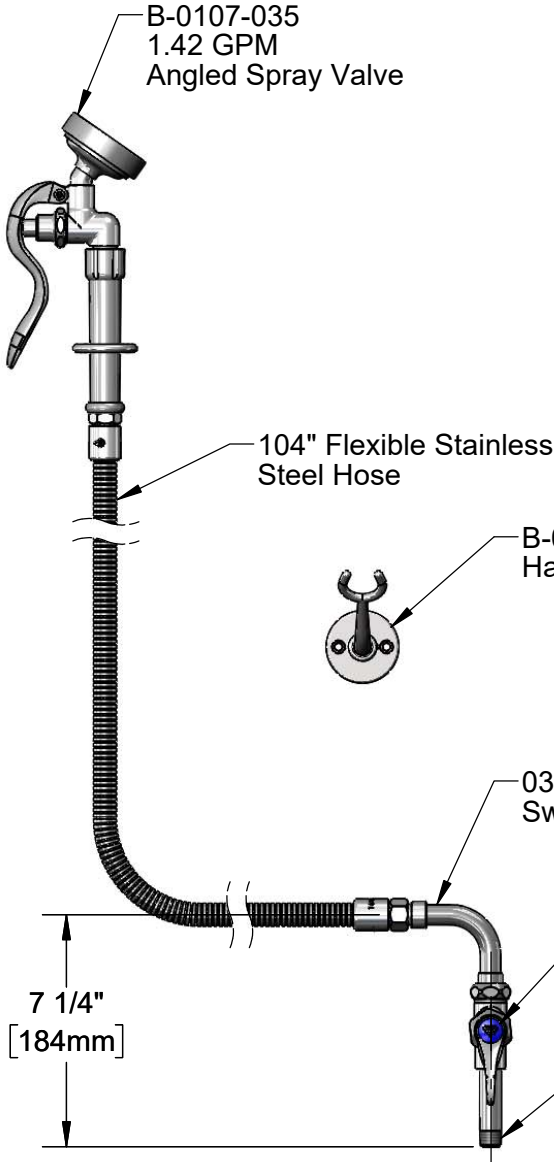
Architect/Engineer _____



B-0107-035
1.42 GPM
Angled Spray Valve

Notes:

1. The Add-On Faucet is an Addition to Pre-Rinse Units and is Installed in Outlets of Base Mixing Faucets of Units Before Fitting Riser Pipes
2. 4-Arm Handle Controls Water On-Off Thru Washdown Hose Only. Pressure is Always "On" in the Riser Pipe (Controlled by Base Mixing Faucet)



104" Flexible Stainless Steel Hose

B-0166
Hanger Hook

034A
Swivel Adapter

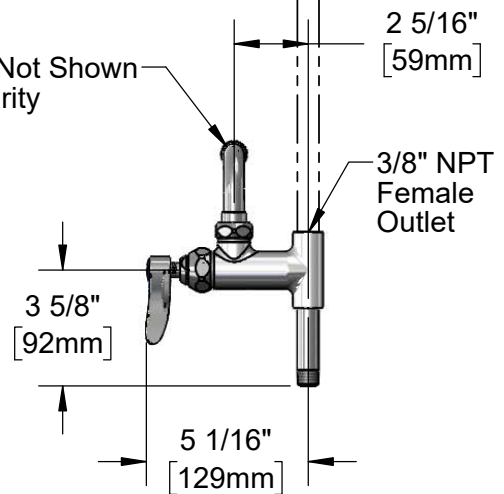
Quarter-Turn Eterna Cartridge w/ Spring Check, Lever Handle & Blue Index

3/8" NPT Male Inlet. Converts to EasyInstall to Fit T&S Standard Swivel Outlets with Conversion Kit, EZ-K (sold separately).

7 1/4"
[184mm]

Pre-Rinse Riser (Sold Separately)

Items Not Shown for Clarity



2 5/16"
[59mm]

3/8" NPT
Female
Outlet

3 5/8"
[92mm]

5 1/16"
[129mm]

Product Specifications:

Washdown Hose Unit, Quarter-Turn Eterna Cartridge w/ Spring Check, Lever Handle, 104" Flexible Stainless Steel Hose, 1.42 GPM Angled Spray Valve & Hanger Hook

Product Compliance:

ASME A112.18.1 / CSA B125.1
NSF 61 - Section 9
NSF 372 (Low Lead Content)
EPA Act 2005 (PRSV)

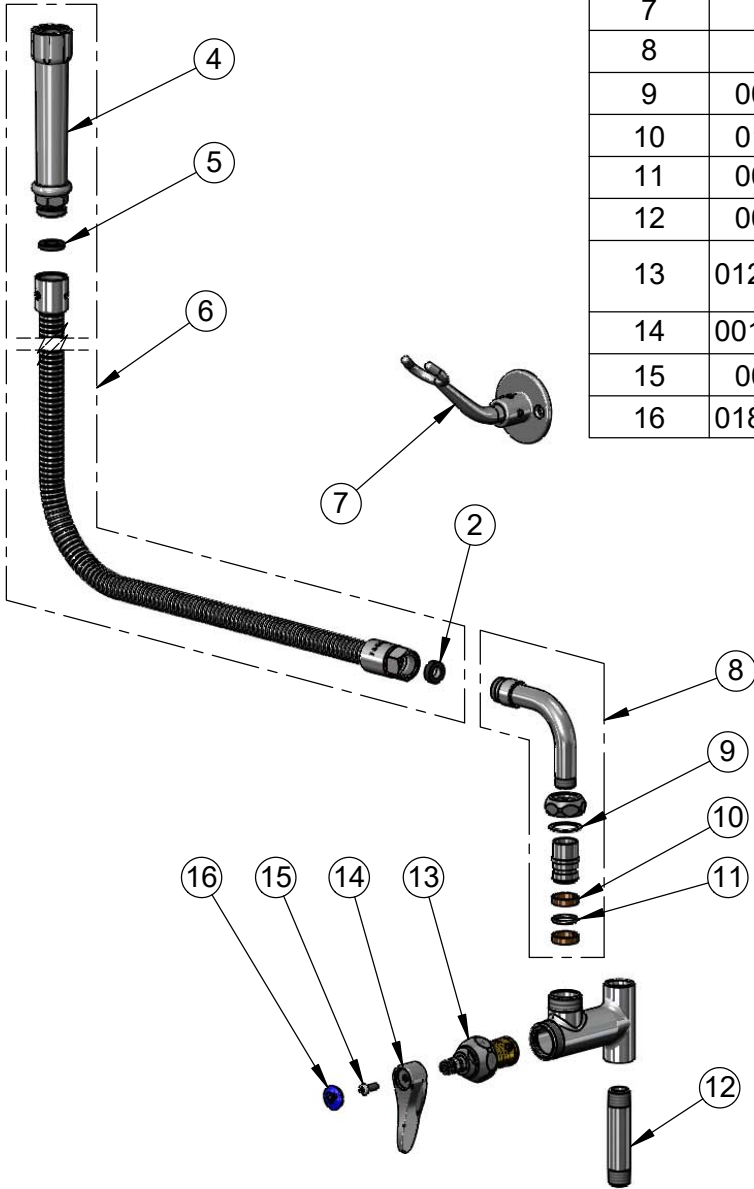
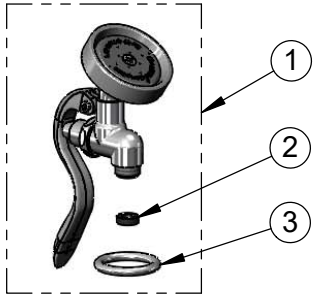


T&S BRASS AND BRONZE WORKS, INC.
 2 Saddleback Cove / P.O. Box 1088
 Travelers Rest, SC 29690

Model No.
B-0165

Item No.

Travelers Rest, SC: 800-476-4103 • Simi Valley, CA: 800-423-0150 • Fax: 864-834-3518 • www.tsbrass.com



| ITEM NO. | SALES NO. | DESCRIPTION |
|----------|-------------|--|
| 1 | B-0107-035 | 1.42 GPM Angled Spray Valve |
| 2 | 010476-45 | #27 Washer |
| 3 | 000907-45 | Spray Valve Hold Down Ring |
| 4 | 002987-40 | Grip Handle |
| 5 | 001014-45 | Washer, B-0100 Hose Barrel |
| 6 | B-0104-H | 104" Flexible Stainless Steel Hose w/ Grip Handle |
| 7 | B-0166 | Wall Hook |
| 8 | 034A | Swivel Adapter |
| 9 | 009538-45 | Swivel Washer |
| 10 | 011429-45 | Swivel Sleeves (2) |
| 11 | 001074-45 | O-Ring |
| 12 | 000358-40 | Nipple, 3/8" NPT x 3" |
| 13 | 012443-40NS | Quarter-Turn Eterna Cartridge w/ Spring Check, RTC |
| 14 | 001638-45NS | Lever Handle (New Style) |
| 15 | 000925-45 | Lab Handle Screw |
| 16 | 018506-19NS | Blue Button Index, Press-in |

Product Specifications:
 Washdown Hose Unit, Quarter-Turn Eterna Cartridge w/ Spring Check, Lever Handle, 104" Flexible Stainless Steel Hose, 1.42 GPM Angled Spray Valve & Hanger Hook

Product Compliance:
 ASME A112.18.1 / CSA B125.1
 NSF 61 - Section 9
 NSF 372 (Low Lead Content)
 EPA Act 2005 (PRSV)