



**T&S BRASS AND BRONZE WORKS, INC.**  
 2 Saddleback Cove / P.O. Box 1088  
 Travelers Rest, SC 29690

Model No.  
**B-0108-H**

Item No.

Travelers Rest, SC: 800-476-4103 • Simi Valley, CA: 800-423-0150 • Fax: 864-834-3518 • www.tsbrass.com

This Space for Architect/Engineer Approval

Job Name \_\_\_\_\_ Date \_\_\_\_\_

Model Specified \_\_\_\_\_ Quantity \_\_\_\_\_

Customer/Wholesaler \_\_\_\_\_

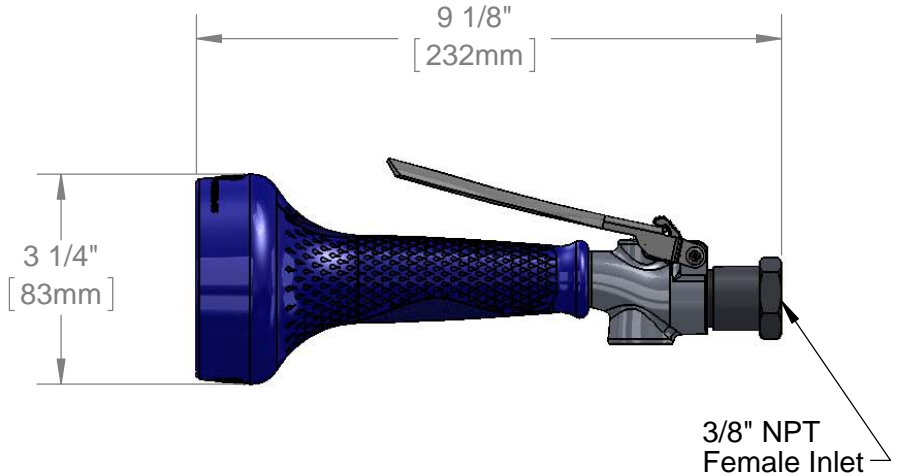
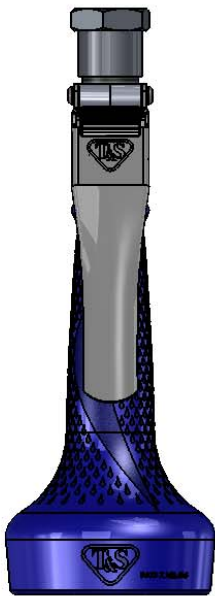
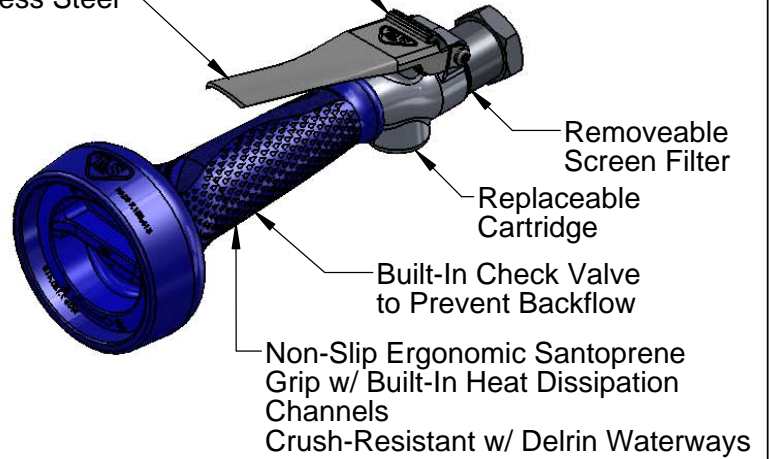
Contractor \_\_\_\_\_

Architect/Engineer \_\_\_\_\_

**EPAct 2005 Non-Compliant**

One-Handed Metal Trigger  
 Lock w/ Added Anti-  
 Rotational Feature

Surgical-Grade  
 Polished  
 Stainless Steel



Product Specifications:  
 High Flow Spray Valve w/ Ergo-Grip, Replaceable Spray Face,  
 Integrated One-Handed Trigger Lock & 3/8" NPT Female Inlet

Drawn <b>DHL</b>	Checked <b>JRM</b>	Approved <b>JHB</b>
Scale: <b>1:3</b>		Date: <b>01/28/14</b>



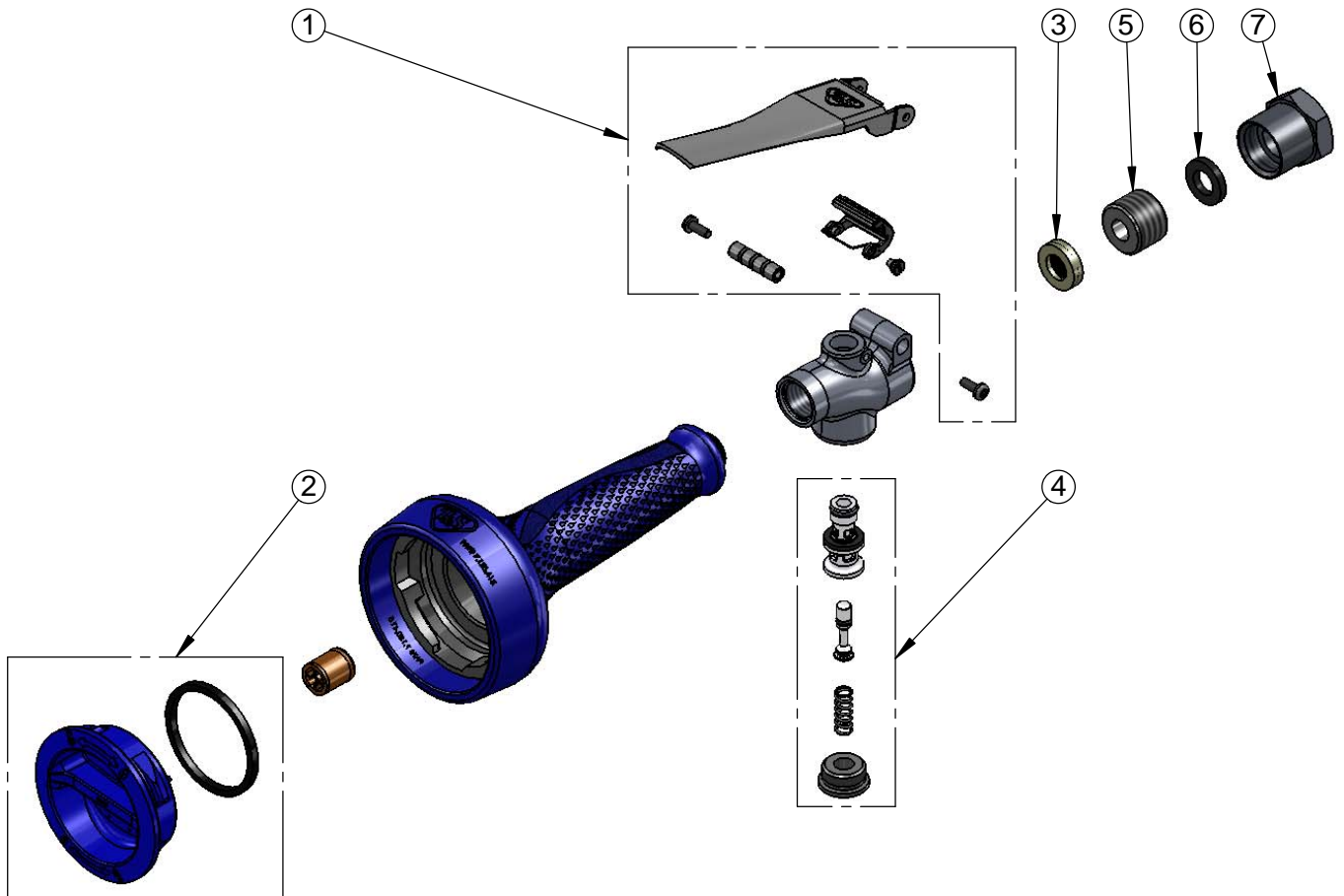
**T&S BRASS AND BRONZE WORKS, INC.**  
 2 Saddleback Cove / P.O. Box 1088  
 Travelers Rest, SC 29690

Model No.  
**B-0108-H**

Item No.

Travelers Rest, SC: 800-476-4103 • Simi Valley, CA: 800-423-0150 • Fax: 864-834-3518 • www.tsbrass.com

ITEM NO.	SALES NO.	DESCRIPTION
1	108T-RK	Trigger Repair Kit
2	108HSF-RK	High Flow Spray Face Repair Kit
3	108S-RK	Inlet Screen/Washer Repair Kit
4	108V-RK	Valve Repair Kit
5	014554-25	7/8-20 UN Close Nipple
6	001014-45	Washer, B-0100 Hose Barrel
7	016154-25	7/8"-20 x 3/8" NPT Female Adapter



Product Specifications:  
 High Flow Spray Valve w/ Ergo-Grip, Replaceable Spray Face,  
 Integrated One-Handed Trigger Lock & 3/8" NPT Female Inlet

Drawn <b>DHL</b>	Checked <b>JRM</b>	Approved <b>JHB</b>
Scale: <b>NTS</b>		Date: <b>01/28/14</b>