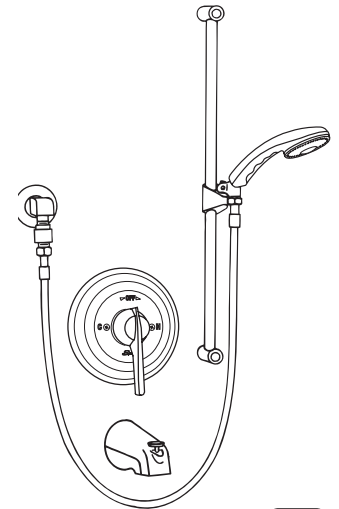


Location:


SYMMONS® Temptrol™

Tub and Hand Shower System, C-96-400-B30-V

Specification Submittal



Feature Highlights

- Symmons Commercial series Tub-Hand Shower System with lever handles
- Symmons Temptrol® pressure balancing mixing valve with adjustable stop screw to limit handle turn
- Wall/hand shower, #T-300B-30-V with 5 foot flexible metal hose, in-line vacuum breaker and wall connection
- 30 inch slide bar for mounting hand shower
- Standard Flow rate 2.5 gpm (9.5 L/min)
Optional lower flow rate restrictor available 
- Tub spout with diverter, #054
- Polished chrome finish (standard)

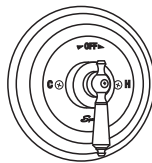
Model Numbers

- C-96-400-B30-V
Tub-Hand Shower System with Symmons Temptrol® mixing valve
- C-96-400-B30-V-TRM
Trim only, valve and diverter must be ordered separately

Handle Options / Modifications

Append appropriate -suffix to model number

- LAM Lever handle



Finish Options / Modifications

Append appropriate -suffix to model number



- Polished chrome (standard finish)

Warranty

- Limited Lifetime - to the original end purchaser in consumer installations.
- 5 years - for commercial installations

Options / Modifications

Append appropriate -suffix to model number

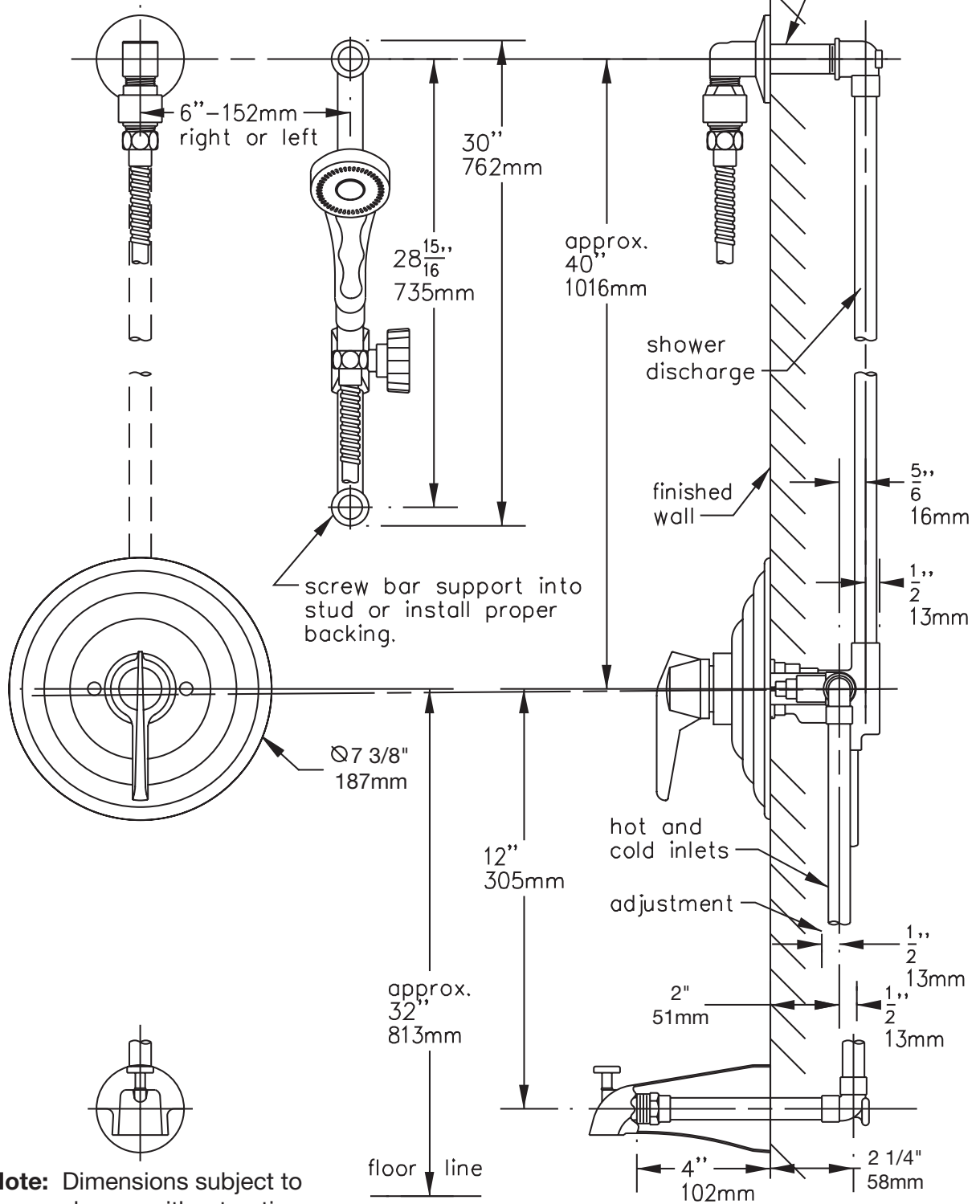
- X Integral Service Stops: Temptrol mixing valve includes integral service stops to allow water shut-off for service
- IPS 1/2 inch female IPS connections on Symmons Temptrol® mixing valve
- REV Reverse coring in valve for back to back installations; hot on right, cold on left, *(Only available with -X integral service stops)*
- CHKS Integral Check Stops. Temptrol valve includes check stops *(Only available with -X integral service stops)*
-  -2.0 2.0 gpm (7.6 L/min) flow rate restrictor *(Requires substituting hand shower wand with EF-100)*
-  -1.5 1.5 gpm (5.7 L/min) flow rate restrictor *(Requires substituting hand shower wand with EF-100)*
- 72 6 foot hand shower hose in place of standard 5 foot hose
- R Vinyl hose in place of flexible metal hose
- B48 48 inch slide bar in place of standard 30"
- L/HS Hand Shower wand not included
Includes hose, in-line vacuum breaker, wall connections and flange only
- QD Quick-disconnect on hand shower
- VP Vandal resistant

Standards / Certifications

ASME A112.18.1-2005/CSA B125.1-05
ASSE-1016

Dimensions Temptrol Tub and Hand Shower System, C-96-400-B30-V

Male 1/2" I.P.S. thread must protrude 3/8" (10mm) from finished wall for proper installation of street ell and flange.



Note: Dimensions subject to change without notice.

Symmons Industries, Inc. ■ 31 Brooks Drive ■ Braintree, MA 02184
 (800) 796-6667, (781) 848-2250 ■ Fax (800) 961-9621, (781) 664-1300
 Website: www.symmons.com ■ Email: customerservice@symmons.com

©2009, 2010 Symmons Industries, Inc. Printed in U.S.A. ■ 082310

SYMMONS[®]
 the smart choice™