



Location:



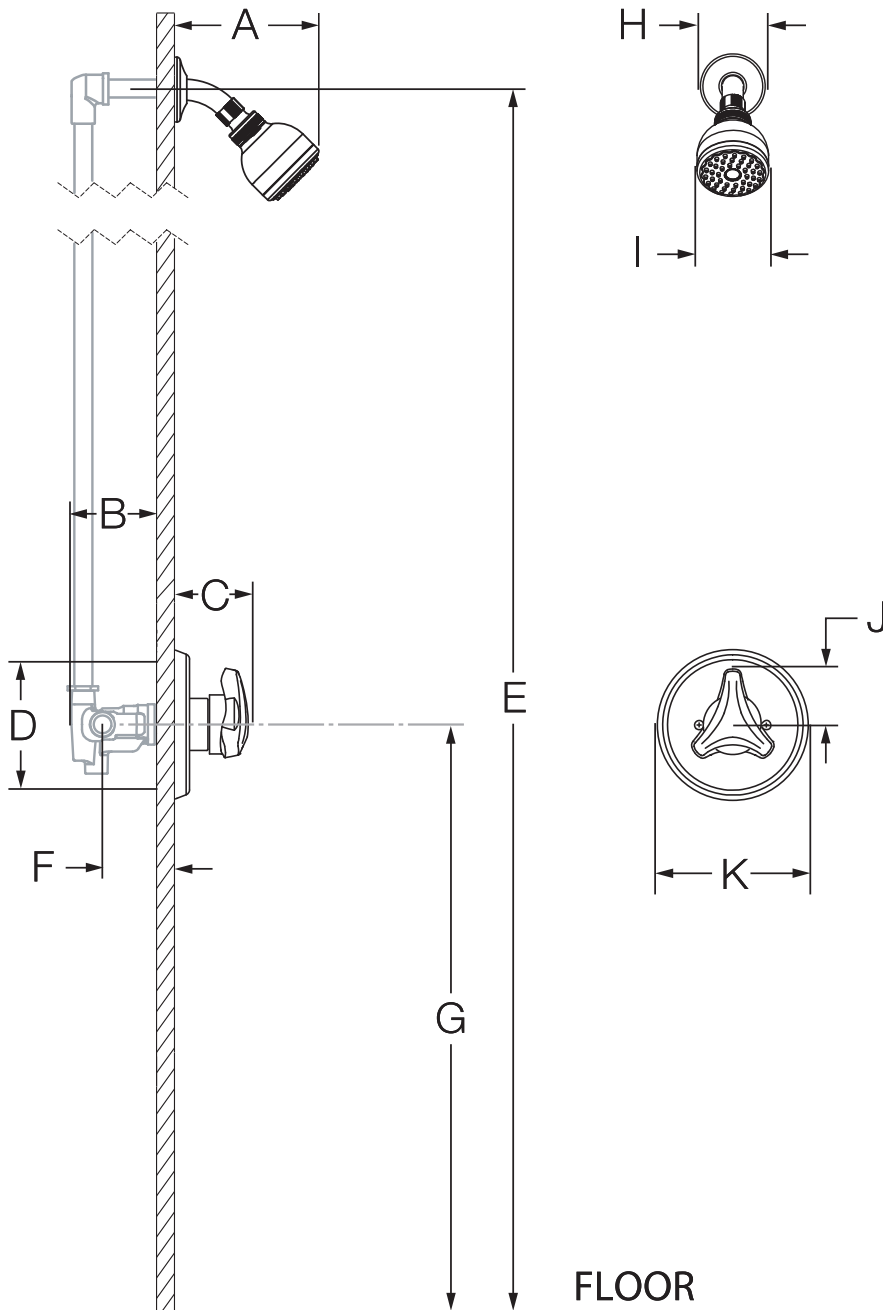
Origins™

9601-P Shower System Specification Submittal

Model Numbers	Specification
<input type="checkbox"/> 9601-P <i>Origins Shower System</i>	Shower system powered by the Temptrol® Pressure Balancing valve. Features adjustable stop screw to limit handle turn, 1 mode showerhead with easy to clean rubber nozzles and standard 2.5 gpm (9.5 L/min) flow restrictor. Components made from metal and nonmetallic materials plated in standard polished chrome finish.
Modifications	
<input type="checkbox"/> -1.5 1.5 gpm (5.7 L/min) flow restrictor <input type="checkbox"/> -2.0 2.0 gpm (7.6 L/min) flow restrictor <input type="checkbox"/> -231 Super showerhead in place of Clear-Flo <input type="checkbox"/> -295 Institutional showerhead in place of Clear-Flo <input type="checkbox"/> -X Integral service stops <input type="checkbox"/> -CHKS Integral check stops <input type="checkbox"/> -IPS 1/2" female IPS connections <input type="checkbox"/> -REV Reverse coring for back to back installations <input type="checkbox"/> -B Chrome brass escutcheon <input type="checkbox"/> -D Chrome brass dome cover <input type="checkbox"/> -VP Vandal proof escutcheon screws <input type="checkbox"/> -OP 13" oval plate <input type="checkbox"/> -L/HD Less showerhead <input type="checkbox"/> -TRM Trim only, valve not included	<div style="text-align: right;"></div> <hr/> Compliance -ASME A112.18.1/CSA B125.1 -WaterSense 1.5 gpm (5.7 L/min) 2.0 gpm (7.6 L/min) <div style="text-align: right;"> </div>
	Warranty Limited Lifetime - to the original end purchaser in consumer/residential installations. 5 Years - for industrial/commercial installations. Refer to www.symmons.com/warranty for complete warranty information.

Note: Append appropriate -suffix to model number.

Dimensions



Measurements	
A	6 3/8", 162 mm
B	3 1/2", 89 mm
C	2 7/8", 73 mm
D	Shower Valve Hole Size Min. Ø 3", 76 mm Max. Ø 4", 102 mm
E	Ref. 77", 1956 mm
F	Rough-in 2 3/8" ± 1/2", 60 mm ± 13 mm
G	Ref. 42", 1067 mm
H	Ø 2 1/2", 64 mm
I	Ø 2 3/4", 70 mm
J	2 1/8", 54 mm
K	Ø 5 3/4", 146 mm

Notes:

- 1) All dimensions measured from nominal rough-in (see F as reference).
- 2) Dimensions subject to change without notice.