



QUSB-3322 Single Bowl

GRANITE UNDERMOUNT
KITCHEN SINKS

KITCHEN SINKS

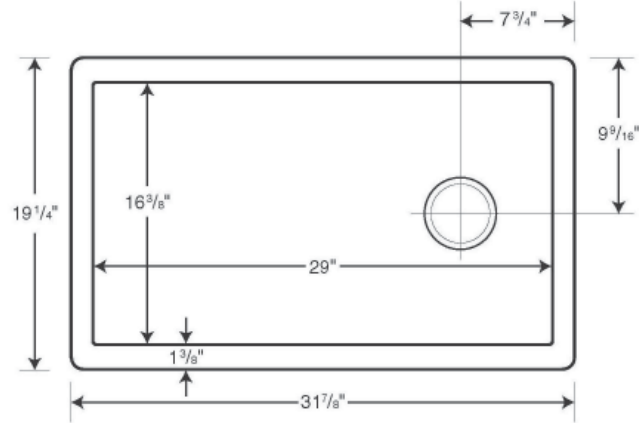
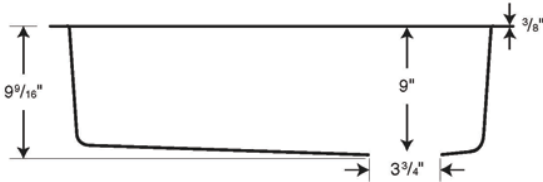
Manufactured from Quartz natural stone
(see page 2 for detailed information)

Recommended for high use traffic areas and commercial surfaces

WARRANTY
Limited Lifetime – Residential
Limited 10-year – Commercial

FEATURES

- Made with 80% quartz stone, only a diamond is harder
- Virtually indestructible, will not damage from kitchen use
- Standard sink size
- Ideal for remodeling or new construction
- Mounts under most countertop materials including granite/quartz, solid surface and tile



○ Drill Points ● Pre-drilled

SPECIFICATIONS

QUSB-3322 Single Bowl

Model	Part	Nominal Dimensions	Ship Wt. Lb.	Ship FedEx	Carton Dims. In.	Cu. Ft.
QUSB-3322	QU03322SB	32" W x 21" D (813 mm x 533 mm)	48	FedEx	37 x 25 x 13	6.96

COLORS

(See inside back cover for color sample.)

- Bianca (075)
- Espresso (170)
- Granito (076)
- Nero (077)

STANDARDS AND RATINGS

American National Standard Institute—ANSI Z124.6
International Association of Plumbing and Mechanical Officials (IAPMO) – listed
cUPC listed – Certified to CSA Standard B45 by IAPMO
Heat resistance to 392°F, 200°C

MAINTENANCE AND
CLEANING INFORMATION

Clean your granite sink by using warm water and a soft cloth, sponge or Mr. Clean Magic Eraser. Non-abrasive liquid cleaners and detergents can also be used. Hard water, calcium and lime deposits can be removed with white vinegar on a paper towel and rinsing after 20 minutes. To restore luster and extend time between cleanings, Weiman's Granite Polish is recommended. Staining liquids such as dyes and vegetable juices should be rinsed off as soon as possible. *Do not* use abrasive cleaners, metal scouring pads, bleach or alkali cleaners such as ammonia.

SUPPORT DOCUMENTS

Installation instructions available on line at www.swanstone.com

Undermount clips sold separately. Faucet options are limited to available hole placement. Please contact your dealer for more information.