

## SPECIFICATIONS

- 4" Plain End inlet/outlet, 3" Plain End vents.
- Max flow rate: 75 GPM
- Capacities: Liquid: 110 gal. (14.7 cu. ft.); Oil: 93 gal.; Sand: 11 gal.
- Unit weight with composite cover: 120 lbs.; with cast iron cover: 180 lbs.
- Maximum operating temperature 140 °F continuous.
- Highway rated covers: 16,000 lb. capacity.

## NOTES

- Snap-in Flow control (ships with unit).
- Seamless medium density polyethylene tank.
- Unit supplied with built-in adapter for up to 5" of adjustability. Additional riser(s) available for deeper burial depth.
- Cover placement allows full access to tank for proper maintenance.
- Narrow footprint allows clearance through doorways and down stairs.
- Engineered inlet and outlet diffusers are removable to inspect/clean piping.
- For on-the-floor or buried applications.

## DIFFUSION FLOW TECHNOLOGY

The inlet diffuser splits influent into three paths, creating laminar flow and utilizing the entire liquid volume of the tank for efficient oil separation. The calibrated openings greatly reduce influent turbulence. The influent enters the main chamber without disturbing the existing oil or sand layers. The bottom of the outlet diffuser allows only effluent that is free of oil to exit the tank.

## ENGINEER SPECIFICATION GUIDE

Striem Oil Reserve™ oil/sand separator model OS-75 shall be lifetime guaranteed and made in USA of seamless, rotationally-molded polyethylene. Separator shall be furnished for above or below grade installation, with field adjustable riser system, snap-in flow control and (2) vent connections. Separator flow rate shall be 75 GPM. Separator oil capacity shall be 93 gallons. Sand capacity shall be 11 gallons. Covers shall provide water/gas-tight seal and have a maximum 16,000 lbs load capacity.

## THIRD PARTY STRUCTURAL ANALYSIS

The OS-75 has been structurally analyzed in accordance with the requirements of IBC 2012 and ASCE/SEI 7 for direct burial. The maximum burial depth and backfill material are specified in our installation instructions. The structural design has been reviewed and sealed by a professional engineer registered in the state of California. A sealed structural analysis report is available upon request.

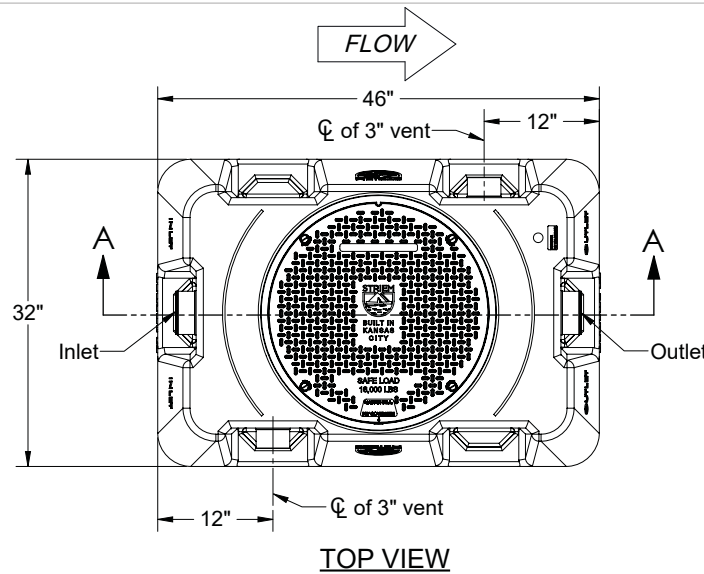
## OPTIONS

- 4M - 4" Male Thread Inlet / Outlet
- 6P - 6" Plain End SCH.40 Inlet / Outlet
- 6M - 6" Male Thread Inlet / Outlet
- C24-HP - H2O Rated Pickable Cast Iron Cover
- CC24 - Integral Membrane Clamping Collar Kit
- CS2 - Clean Sweep Coalescing Media (single)\*
- HDK-2 - High Water Anchor Kit

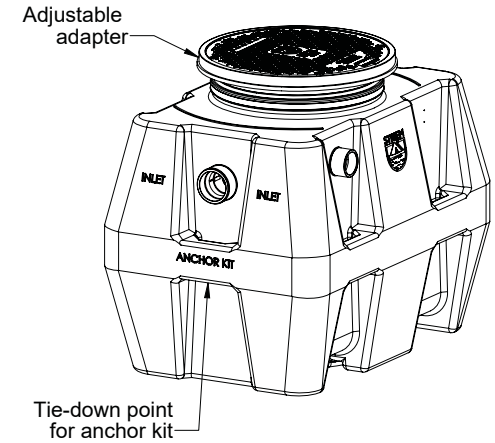
\*Clean Sweep Coalescing Media not compatible with CPRK

## RISER OPTIONS

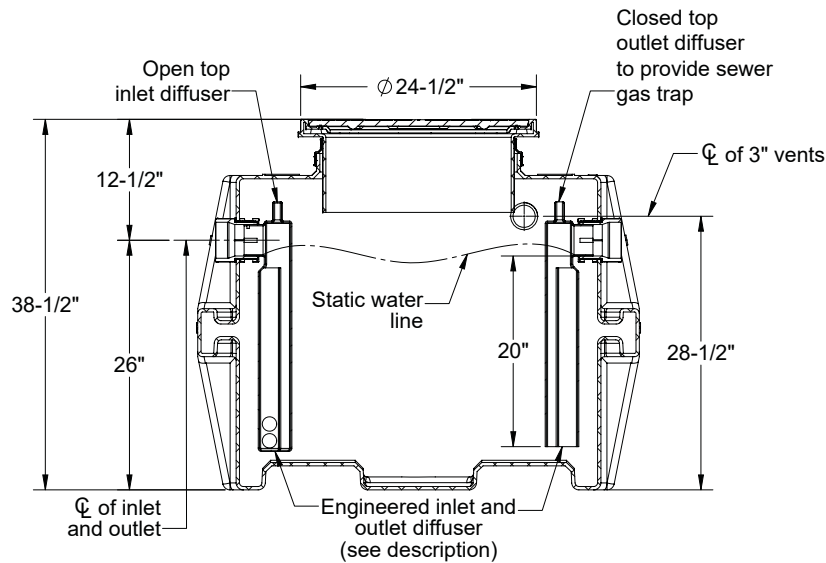
- SR24 - >5"-24"
- LR24 - >24"-39"
- SR24 (2) - >39"-43"
- SR24 + LR24 - >43"-58"
- LR24 (2) - >58"-72"
- CPRK : >11" - 72"
  - Corrugated Pipe Riser Kit.
  - 18" diameter corrugated pipe by others.
  - Used in substitute of SR/LR riser options.
  - See CPRK specification for more detail.



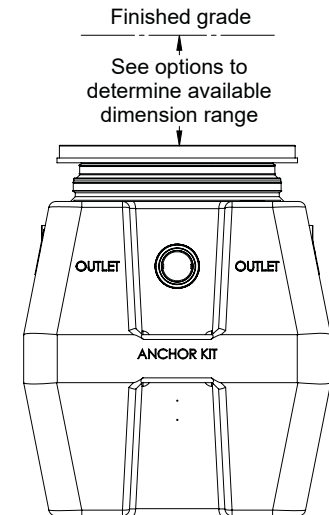
TOP VIEW



ISOMETRIC VIEW



SECTION "A-A"



OUTLET END VIEW

<b>MODEL NUMBER:</b>	OS-75
<b>DESCRIPTION:</b>	75 GPM POLYETHYLENE OIL/SAND SEPARATOR
<b>DWG BY:</b>	WLF
<b>DATE:</b>	7/26/21
<b>REV:</b>	0
<b>ECO:</b>	

## SPECIFICATION SHEET

**Striem**  
 3100 Brinkerhoff  
 Kansas City, KS 66115  
 Tel: 913-222-1500  
 orders@striemco.com  
 www.striemco.com

Made in the U.S.A



PROPRIETARY AND CONFIDENTIAL

THE INFORMATION CONTAINED IN THIS DRAWING IS THE SOLE PROPERTY OF STRIEM, LLC. ANY REPRODUCTION IN PART OR AS A WHOLE WITHOUT THE WRITTEN PERMISSION OF STRIEM, LLC. IS PROHIBITED.