

SPECIFICATIONS

1. Liquid holding capacity: 750 gallons (100 cu. ft.).
2. Unit weight with composite cover: 1090 lbs.
3. Maximum operating temperature 140 °F continuous.
4. Highway rated covers: 16,000 lb. load rating.

NOTES

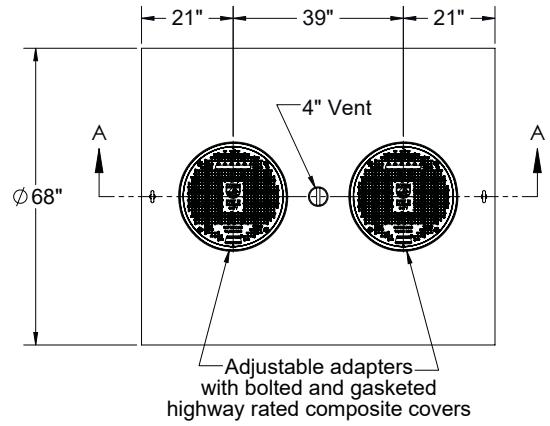
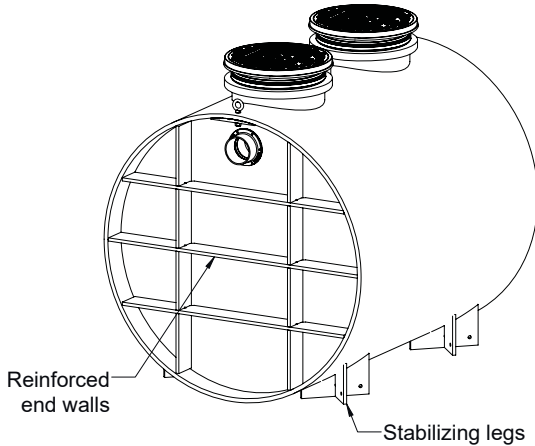
1. For gravity drainage applications only. Do not use for pressure applications.
2. 7/8" thick seamless High Density Polyethylene.
3. Unit supplied with built-in adapter for up to 5" of adjustability. Additional riser(s) available for deeper burial depth.
4. Cover placement allows full access to tank for proper maintenance.
5. For buried applications.
6. Lifting lug set for easy install.

ENGINEER SPECIFICATION GUIDE

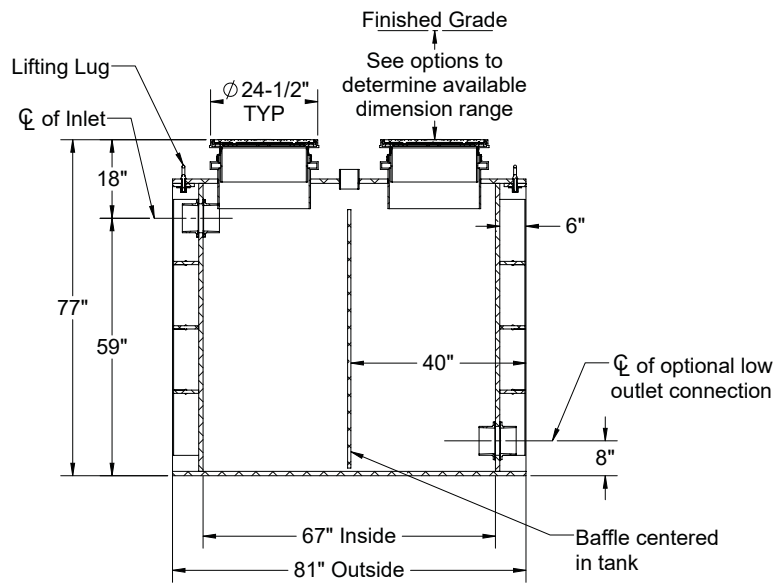
Striem Bio Basin model BB-750 shall be lifetime guaranteed and made in USA of seamless, molded High Density Polyethylene with minimum 7/8" uniform wall thickness. Tank shall be furnished for below grade installation with field adjustable riser system. Cover shall provide water/gas-tight seal and have a maximum 16,000 lbs load rating.

THIRD PARTY STRUCTURAL ANALYSIS

The BB-750 has been structurally analyzed in accordance with the requirements of IBC 2012 and ASCE/SEI 7 for direct burial. The maximum burial depth and backfill material are specified in our installation instructions. The structural design has been reviewed and sealed by a professional engineer registered in the state of California. A sealed structural analysis report is available upon request.



TOP VIEW



SECTION A-A

Directions: Complete steps 1-3 and submit signed with purchase order.

1. Choose Connection Types.

- | | |
|--|-----------------------------|
| Inlet | Size |
| <input type="checkbox"/> Plain End | <input type="checkbox"/> 2" |
| <input type="checkbox"/> Female Thread | <input type="checkbox"/> 3" |
| <input type="checkbox"/> Flanged | <input type="checkbox"/> 4" |
| | <input type="checkbox"/> 6" |
| Optional Outlet | Size |
| <input type="checkbox"/> Plain End | <input type="checkbox"/> 2" |
| <input type="checkbox"/> Female Thread | <input type="checkbox"/> 3" |
| <input type="checkbox"/> Flanged | <input type="checkbox"/> 4" |
| | <input type="checkbox"/> 6" |
| Vent | Size |
| <input type="checkbox"/> Plain End | <input type="checkbox"/> 2" |
| <input type="checkbox"/> Female Thread | <input type="checkbox"/> 3" |
| <input type="checkbox"/> Flanged | <input type="checkbox"/> 4" |

2. Riser Options.

- Included : 0" - 5"**
- SR24 (2) : >5" - 24"**
 - LR24 (2) : >24" - 39"**
 - SR24 (4) : >39" - 43"**
 - SR24 (2) + LR24 (2) : >43" - 58"**
 - LR24 (4) : >58" - 72"**
 - SR24 (2) + LR24 (4) : >72" - 90"**
 - LR24 (6) : >90" - 106"**
- OR -**
- CPRK (2) : >11" - 106"**
 - Corrugated Pipe Riser Kit.
 - Used in substitute of SR/LR riser options.
 - 18" diameter corrugated pipe by others.
 - See CPRK specification for more detail.

3. Choose Additional Options.

- HDK-1** - High Water Table Hold Down Kit
- AVA-3** - Single Level Monitoring Package *
- AVA-4** - Multi-Level Monitoring Package *
- Outlet with manual valve (see drawing on sheet 2)
- Outlet with electronically actuated valve controlled by monitoring package (see drawing on sheet 3)

*Monitoring packages will raise covers by 2-1/2".

SHEET 1

Signature of Approval: _____

Company: _____

Date of Approval: _____

Specifying Engineer: _____

Engineering Firm: _____

PO IS NON-CANCELABLE
ORDER IS NON-RETURNABLE

MODEL NUMBER:	BB-750
DESCRIPTION:	POLYETHYLENE DECONTAMINATION TANK 750 GALLON CAPACITY
DWG BY:	MJ
DATE:	12/15/2020
REV:	0
ECO:	

SPECIFICATION SHEET

Striem
3100 Brinkerhoff
Kansas City, KS 66115
Tel: 913-222-1500
orders@striemco.com
www.striemco.com



Made in the U.S.A

THE INFORMATION CONTAINED IN THIS DRAWING IS THE SOLE PROPERTY OF STRIEM, LLC. ANY REPRODUCTION IN PART OR AS A WHOLE WITHOUT THE WRITTEN PERMISSION OF STRIEM, LLC. IS PROHIBITED.

SPECIFICATIONS

1. Liquid holding capacity: 750 gallons (100 cu. ft.).
2. Unit weight with composite cover: 1090 lbs.
3. Maximum operating temperature 140 °F continuous.
4. Highway rated covers: 16,000 lb. load rating.

NOTES

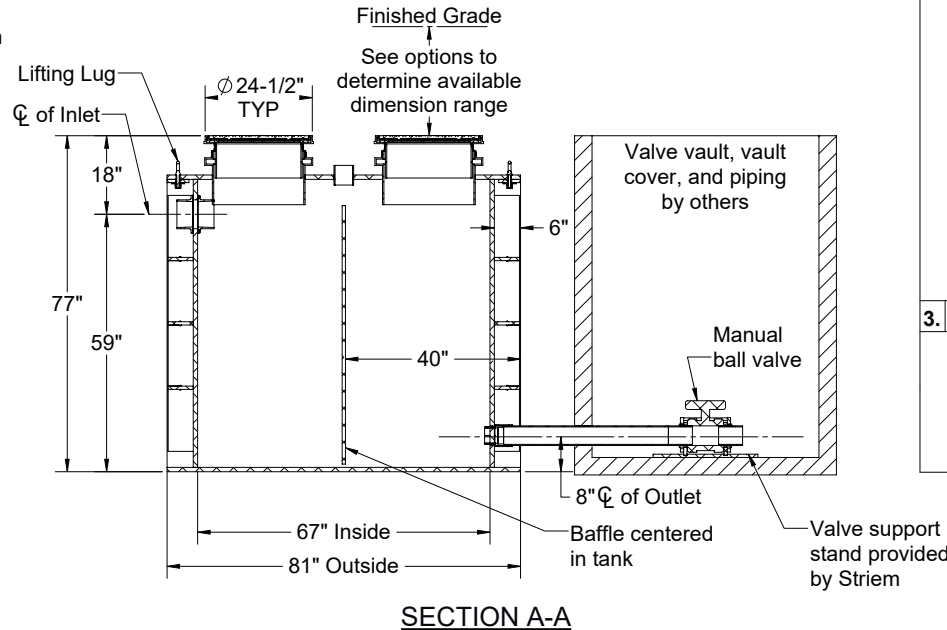
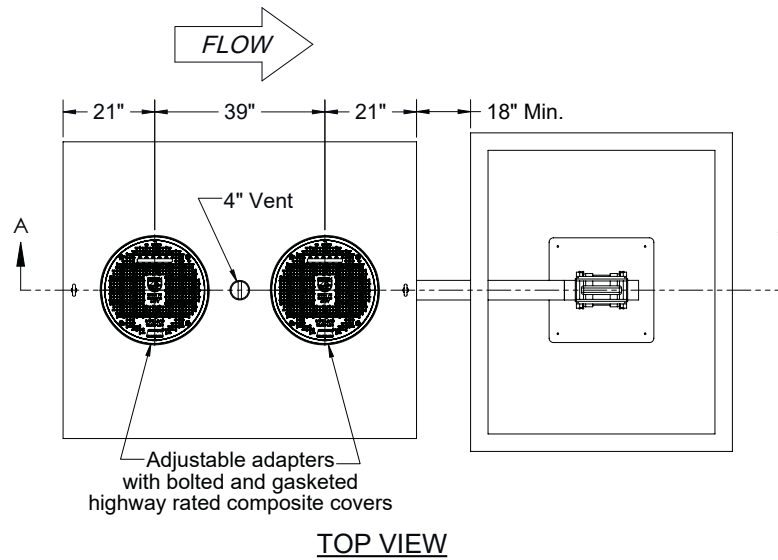
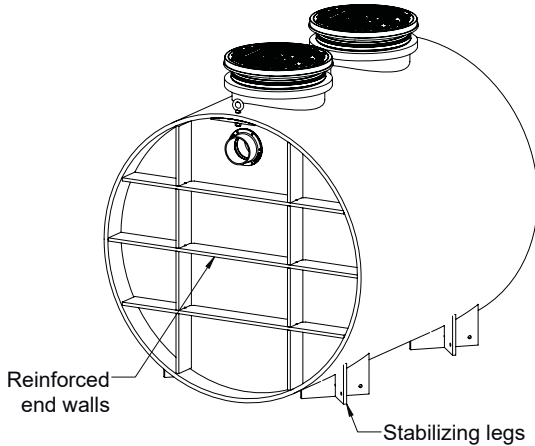
1. For gravity drainage applications only. Do not use for pressure applications.
2. 7/8" thick seamless High Density Polyethylene.
3. Unit supplied with built-in adapter for up to 5" of adjustability. Additional riser(s) available for deeper burial depth.
4. Cover placement allows full access to tank for proper maintenance.
5. For buried applications.
6. Lifting lug set for easy install.

ENGINEER SPECIFICATION GUIDE

Striem Bio Basin model BB-750 shall be lifetime guaranteed and made in USA of seamless, molded High Density Polyethylene with minimum 7/8" uniform wall thickness. Tank shall be furnished for below grade installation with field adjustable riser system. Cover shall provide water/gas-tight seal and have a maximum 16,000 lbs load rating.

THIRD PARTY STRUCTURAL ANALYSIS

The BB-750 has been structurally analyzed in accordance with the requirements of IBC 2012 and ASCE/SEI 7 for direct burial. The maximum burial depth and backfill material are specified in our installation instructions. The structural design has been reviewed and sealed by a professional engineer registered in the state of California. A sealed structural analysis report is available upon request.



Directions: Complete steps 1-3 and submit signed with purchase order.

1. Choose Connection Types.

- | | |
|--|-----------------------------|
| Inlet | Size |
| <input type="checkbox"/> Plain End | <input type="checkbox"/> 2" |
| <input type="checkbox"/> Female Thread | <input type="checkbox"/> 3" |
| <input type="checkbox"/> Flanged | <input type="checkbox"/> 4" |
| | <input type="checkbox"/> 6" |
| Outlet | Size |
| <input type="checkbox"/> Plain End | <input type="checkbox"/> 2" |
| <input type="checkbox"/> Female Thread | <input type="checkbox"/> 3" |
| <input type="checkbox"/> Flanged | <input type="checkbox"/> 4" |
| | <input type="checkbox"/> 6" |
| Vent | Size |
| <input type="checkbox"/> Plain End | <input type="checkbox"/> 2" |
| <input type="checkbox"/> Female Thread | <input type="checkbox"/> 3" |
| <input type="checkbox"/> Flanged | <input type="checkbox"/> 4" |

2. Riser Options.

- Included :** 0" - 5"
- SR24** (2) : >5" - 24"
 - LR24** (2) : >24" - 39"
 - SR24** (4) : >39" - 43"
 - SR24** (2) + **LR24** (2) : >43" - 58"
 - LR24** (4) : >58" - 72"
 - SR24** (2) + **LR24** (4) : >72" - 90"
 - LR24** (6) : >90" - 106"
- OR -**
- CPRK** (2) : >11" - 106"
 - Corrugated Pipe Riser Kit.
 - Used in substitute of SR/LR riser options.
 - 18" diameter corrugated pipe by others.
 - See CPRK specification for more detail.

3. Choose Additional Options.

- HDK-1** - High Water Table Hold Down Kit
- AVA-3** - Single Level Monitoring Package *
- AVA-4** - Multi-Level Monitoring Package *

*Monitoring packages will raise covers by 2-1/2".

SHEET 2

Signature of Approval: _____

Company: _____

Date of Approval: _____

Specifying Engineer: _____

Engineering Firm: _____

PO IS NON-CANCELABLE
ORDER IS NON-RETURNABLE

MODEL NUMBER:	BB-750
DESCRIPTION:	POLYETHYLENE DECONTAMINATION TANK WITH MANUAL BALL VALVE 750 GALLON CAPACITY
DWG BY:	MJ
DATE:	12/15/2020
REV:	0
ECO:	

SPECIFICATION SHEET

Striem
3100 Brinkerhoff
Kansas City, KS 66115
Tel: 913-222-1500
orders@striemco.com
www.striemco.com



Made in the U.S.A

SPECIFICATIONS

1. Liquid holding capacity: 750 gallons (100 cu. ft.).
2. Unit weight with composite cover: 1090 lbs.
3. Maximum operating temperature 140 °F continuous.
4. Highway rated covers: 16,000 lb. load rating.

NOTES

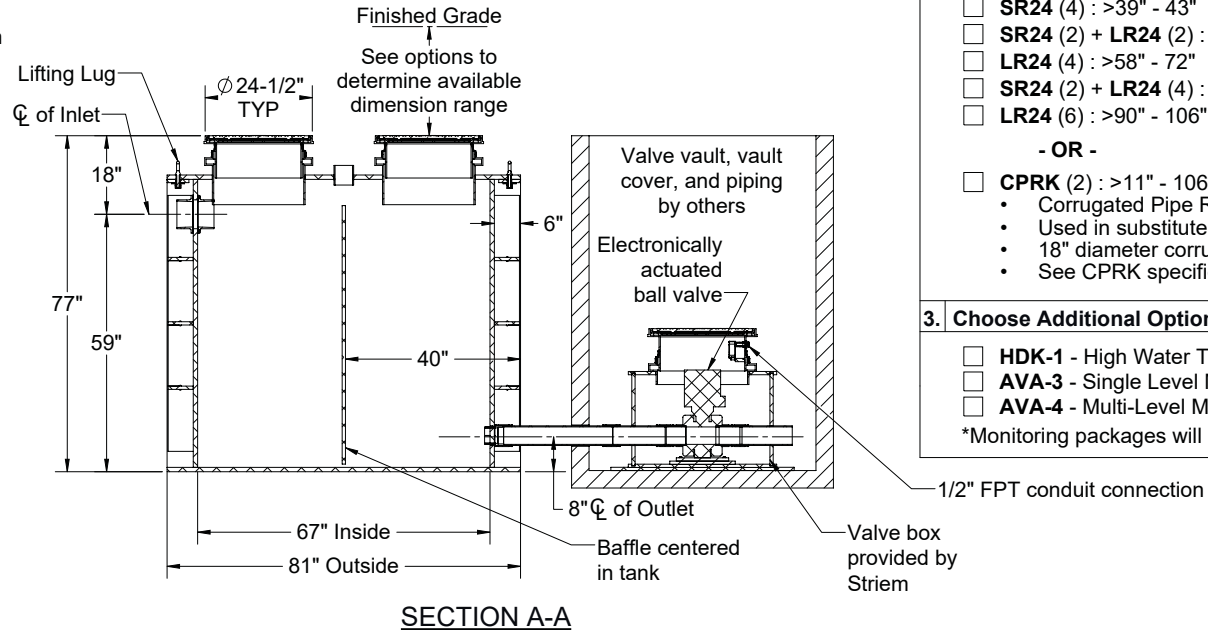
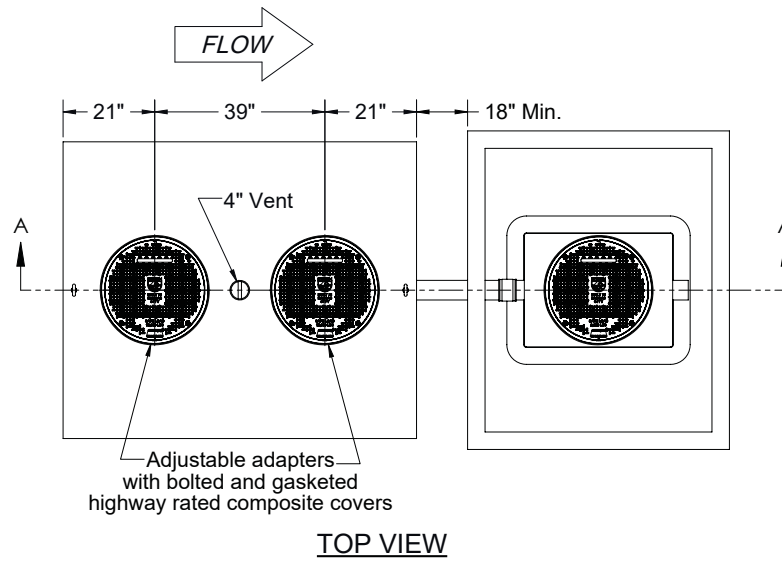
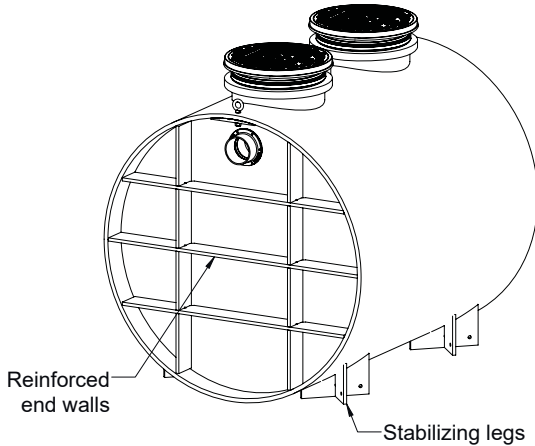
1. For gravity drainage applications only. Do not use for pressure applications.
2. 7/8" thick seamless High Density Polyethylene.
3. Unit supplied with built-in adapter for up to 5" of adjustability. Additional riser(s) available for deeper burial depth.
4. Cover placement allows full access to tank for proper maintenance.
5. For buried applications.
6. Lifting lug set for easy install.

ENGINEER SPECIFICATION GUIDE

Striem Bio Basin model BB-750 shall be lifetime guaranteed and made in USA of seamless, molded High Density Polyethylene with minimum 7/8" uniform wall thickness. Tank shall be furnished for below grade installation with field adjustable riser system. Cover shall provide water/gas-tight seal and have a maximum 16,000 lbs load rating.

THIRD PARTY STRUCTURAL ANALYSIS

The BB-750 has been structurally analyzed in accordance with the requirements of IBC 2012 and ASCE/SEI 7 for direct burial. The maximum burial depth and backfill material are specified in our installation instructions. The structural design has been reviewed and sealed by a professional engineer registered in the state of California. A sealed structural analysis report is available upon request.



Directions: Complete steps 1-3 and submit signed with purchase order.

1. Choose Connection Types.

- | | |
|--|-----------------------------|
| Inlet | Size |
| <input type="checkbox"/> Plain End | <input type="checkbox"/> 2" |
| <input type="checkbox"/> Female Thread | <input type="checkbox"/> 3" |
| <input type="checkbox"/> Flanged | <input type="checkbox"/> 4" |
| | <input type="checkbox"/> 6" |
| Outlet | Size |
| <input type="checkbox"/> Plain End | <input type="checkbox"/> 2" |
| <input type="checkbox"/> Female Thread | <input type="checkbox"/> 3" |
| <input type="checkbox"/> Flanged | <input type="checkbox"/> 4" |
| | <input type="checkbox"/> 6" |
| Vent | Size |
| <input type="checkbox"/> Plain End | <input type="checkbox"/> 2" |
| <input type="checkbox"/> Female Thread | <input type="checkbox"/> 3" |
| <input type="checkbox"/> Flanged | <input type="checkbox"/> 4" |

2. Riser Options.

- Included :** 0" - 5"
- SR24** (2) : >5" - 24"
 - LR24** (2) : >24" - 39"
 - SR24** (4) : >39" - 43"
 - SR24** (2) + **LR24** (2) : >43" - 58"
 - LR24** (4) : >58" - 72"
 - SR24** (2) + **LR24** (4) : >72" - 90"
 - LR24** (6) : >90" - 106"
- OR -
- CPRK** (2) : >11" - 106"
 - Corrugated Pipe Riser Kit.
 - Used in substitute of SR/LR riser options.
 - 18" diameter corrugated pipe by others.
 - See CPRK specification for more detail.

3. Choose Additional Options.

- HDK-1** - High Water Table Hold Down Kit
 - AVA-3** - Single Level Monitoring Package *
 - AVA-4** - Multi-Level Monitoring Package *
- *Monitoring packages will raise covers by 2-1/2".

SHEET 3

Signature of Approval: _____
 Company: _____
 Date of Approval: _____
 Specifying Engineer: _____
 Engineering Firm: _____

PO IS NON-CANCELABLE
 ORDER IS NON-RETURNABLE

MODEL NUMBER:	BB-750
DESCRIPTION:	POLYETHYLENE DECONTAMINATION TANK WITH ELECTRONICALLY ACTUATED BALL VALVE 750 GALLON CAPACITY
DWG BY:	MJ
DATE:	12/15/2020
REV:	0
ECO:	

SPECIFICATION SHEET

Striem
 3100 Brinkerhoff
 Kansas City, KS 66115
 Tel: 913-222-1500
 orders@striemco.com
 www.striemco.com



Made in the U.S.A

THE INFORMATION CONTAINED IN THIS DRAWING IS THE SOLE PROPERTY OF STRIEM, LLC. ANY REPRODUCTION IN PART OR AS A WHOLE WITHOUT THE WRITTEN PERMISSION OF STRIEM, LLC. IS PROHIBITED.